

感谢您购买 奥三多汉特 卡车系列 **ORLANDOO HUNTER TRUCK Series** 斯堪尼亚 **R650** 模型。请您务必仔细阅读说明书，根据说明书的提示来帮助您完成您的模型。本套件为KIT散件版本，需要您动手组装上色及调试。

Thanks for choosing **ORLANDOO HUNTER TRUCK Series** **SCANIA R650**. Please read our instructions carefully, and following our instructions to help you finish assembling the model. The kits are parts, need assembling, painting and debugging by yourself.

本套件不含电子设备，您至少还需购买：

The kits does not including the following parts which you need to buy:



发射机 接收器 调速器 减速电机 2.2g 舵机 锂电池 充电器
Transmitter Receiver Mini ESC Motor 2.2g Servo Li-po Charger

您还需要购买涂料、遮盖胶带、流缝胶、美工刀等工具辅料，来协助您完成您的模型。

Besides, in order to finish your model, following Supplementary material you also need to buy: Coating, Masking Tape, Seam Glue, Utility Knife.



涂料 遮盖胶 流缝胶 美工刀
Coating Masking Tape Seam Glue Utility Knife

您还可以升级“D4L”2.4Ghz 4合1遥控套装，其内置了接收机、有刷电机调速器、声音模拟器和多功能联动灯组功能（灯组包含：大灯、辅助灯、转向/双闪灯、刹车灯、倒车灯），使模型更仿真。

Upgradeable D4L 2.4Ghz 4in1 remote control suit with built-in ESC inside the receiver, sound simulator, remote control receiver and lights: headlights, auxiliary light, turn signals, break lights, and reverse lights which make the model more realistic.



4合1遥控
4in1 Radio System

警告 WARNING

套件内用于包装的塑料袋使用后请及时收好，或者丢弃在可回收垃圾桶内。请勿让儿童当做玩具，可能会导致窒息危险！

The plastic bag of kits, after using please promptly put away or throws into the recyclable rubbish bin, if get by child, might have choking hazard!

注意 CAUTIONS

组装完成后的模型内含有高减速比齿轮及微型传动系统，请不要尝试使用一切外力强制推动汽车模型。这将可能损坏传动系统及齿轮组件！

模型内含有微型连接件及外观仿真件，请防止高空坠落或挤压模型。这将可能损坏微型部件及外观零件！

请勿将模型长时间放置于阳光下，这将可能加速塑料及橡胶的老化！

After finish assembling the model, please do not use any large strength to push the model, since the inside have high reduction ratio gearwheel and mini transmission system, if do will cause the transmission system be damaged!

Since the model have the mini connection parts and simulation parts inside, please avoid the model be altitude fall or squeeze, otherwise, it will cause the damage of mini connection parts and simulation parts!

Please do not put the model in the sun at long time, otherwise, it will accelerate aging of the plastic and rubber parts!

提示 TIPS

在开始组装前，请先准备好所需要用到的工具，按照说明书左侧提示打开相对应的包裹（不要将所有零件包全部打开或全部取出，以免弄混或者丢失），取出相对应的零件（只需要取出左侧标注的零件数量）。因个别零件尺寸比较小，特别是螺丝等小零件，非常容易丢失，使用小盘子、小盒子等来放置待组装的小零件，能有效防止其丢失。

取出零件后如发现毛刺或飞边的，请先用美工刀进行修整，再用砂纸打磨光洁后进行组装。进行这一步骤后将组装完成后运行的流畅性和美观性有进一步提升。

组装小零件时注意控制力度，以免损坏零件或使零件掉落而丢失。

Before assembling, please according the instructions tips to open and take out corresponding package, ready for all the tool you need (please not open all the package, it will cause the parts lost or confused). Because some spare parts are really very small, especially the screw etc., which is easily missing, you can put them into a small dish or box first to avoid missing.

Before assembling check the spare parts first, if any burr found, please use utility knife to make it flat, and then use sandpaper to make it smooth. After doing this the fluency and aesthetics of the model will be upgraded.

During assembling the spare parts, please do not use over strength or else will cause the spare parts break or drop.

警告 WARNING

本套件不适合14岁以下使用！
The kits is not suitable for children under 14 years old!

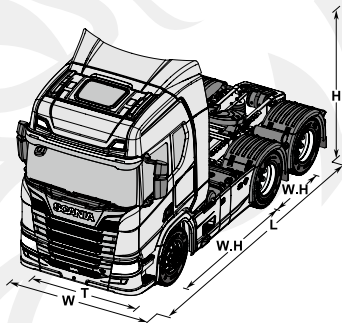


套件内含量微小零件，若儿童吸入或误食，可能会导致窒息等危险！请务必放置于儿童不易接触的地方！

This kit includes small parts which could potentially be hazardous when inhaled or eaten.

Please be sure put the model at the place where child can not touch it!

SIZE 32th



尺寸/参数 SIZE / DATA

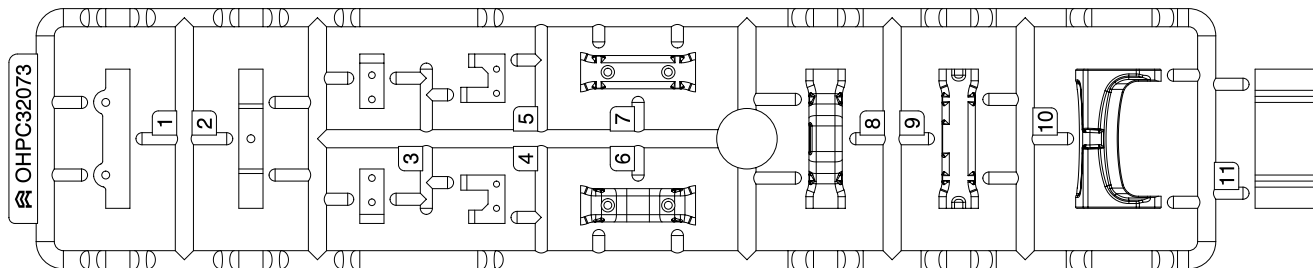
长度 L	宽度 W	高度 H	轮距 T	轴距 W.H
210mm	80mm	125mm	67/62	99+42

SCANIA
R650

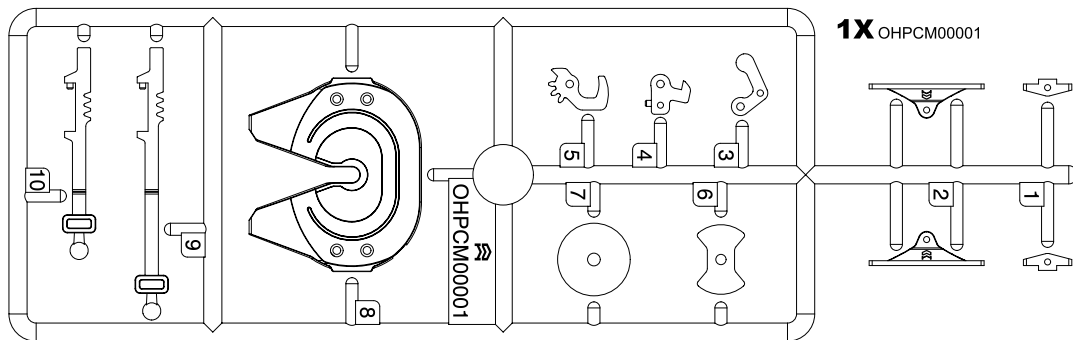
部件/编号对照 PARTS / REFERENCE NUMBER

以下为 奥兰多汉特 卡车系列 **ORLANDO HUNTER** 斯堪尼亚R650包含的所有零部件编号及数量对照表。
如组装或者使用过程中损坏或者丢失其中一些部件，可按照零部件编号购买相应的零部件用以替换。
如需要对模型进行改装及加装，也可按照所需要改装或加装的零部件的编号进行购买。

Following is the comparison table of all spare parts and numbers of the **ORLANDO HUNTER** TRUCK Series **OH3212 KIT** SCANIA R650.
During the assembling, if some spare parts break or lost, you can according the number in the chart to buy a new one to replace it.
If need remodel or adding, also can according the chart to buy some additional spare parts.

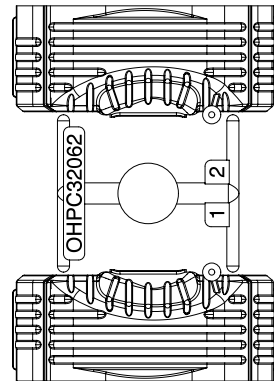


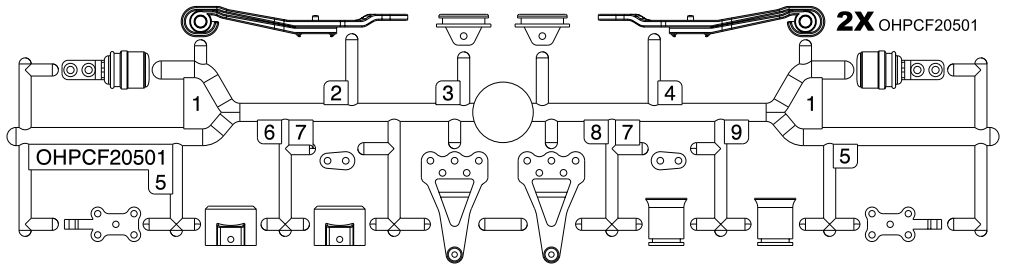
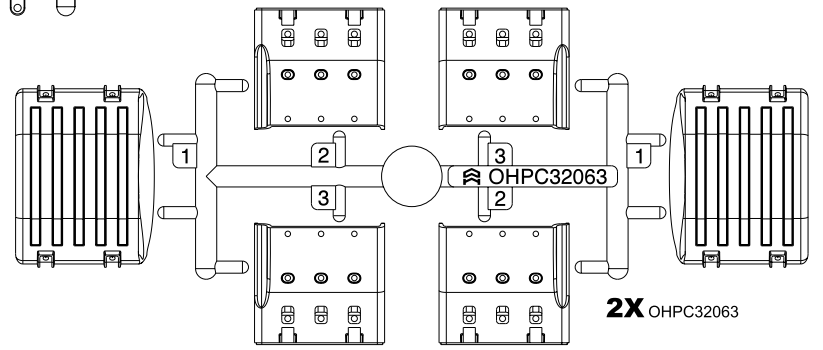
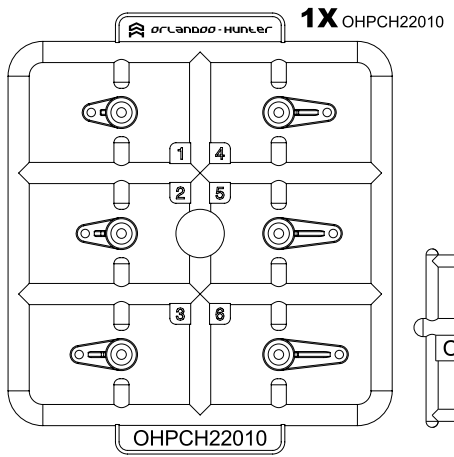
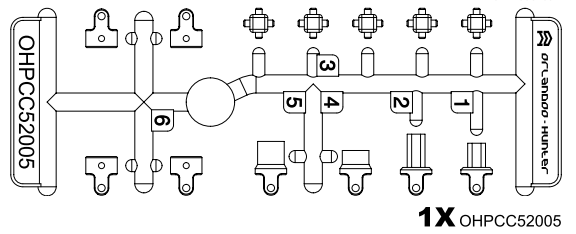
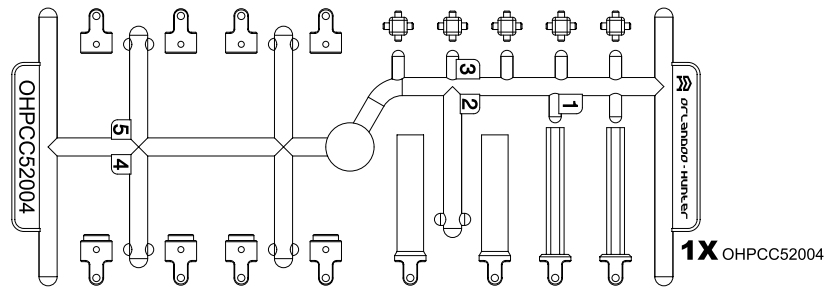
1X OHPC32073

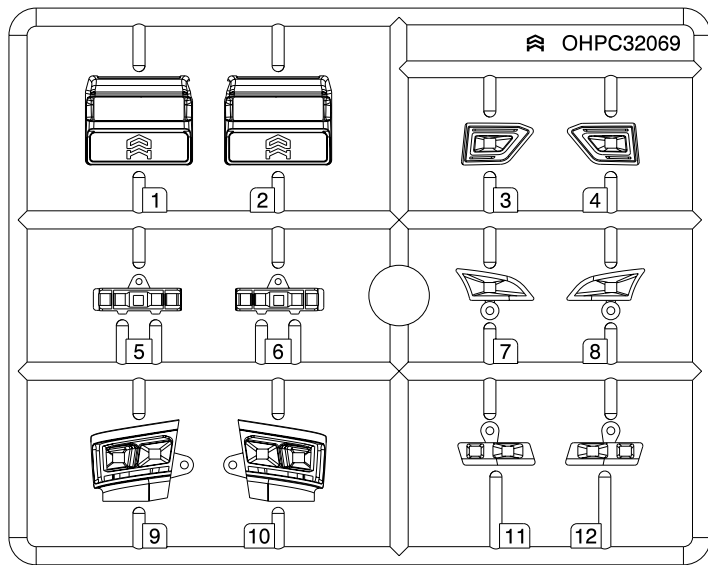


1X OHPCM00001

1X OHPC32062

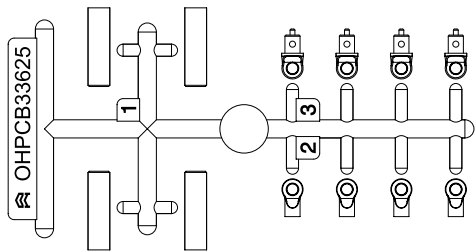




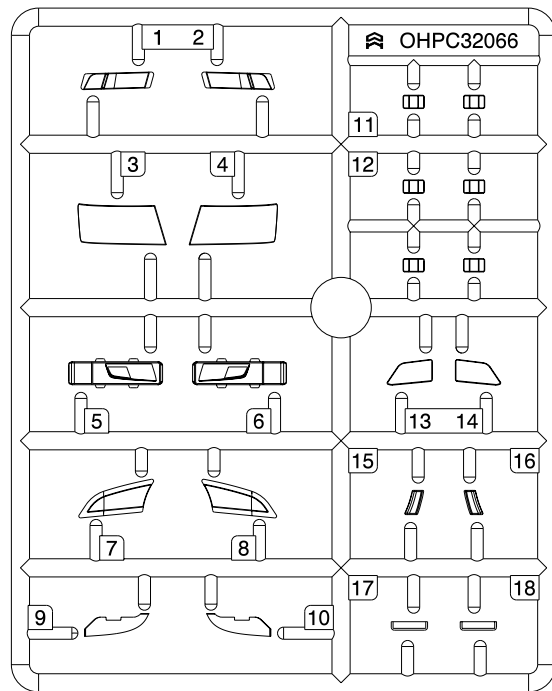


1X OHPC32069

2X OHPCB33625

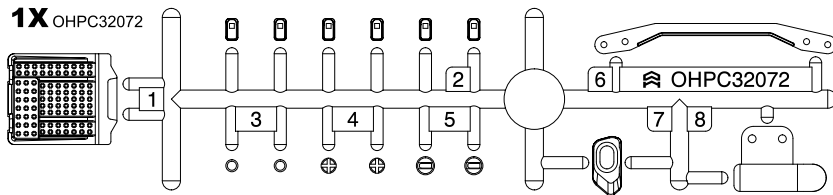


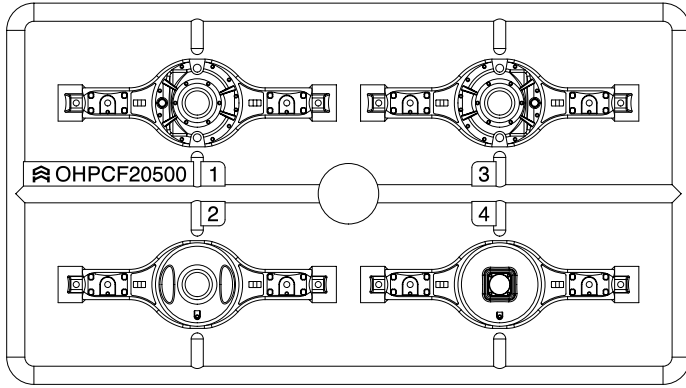
OH32Tn KIT



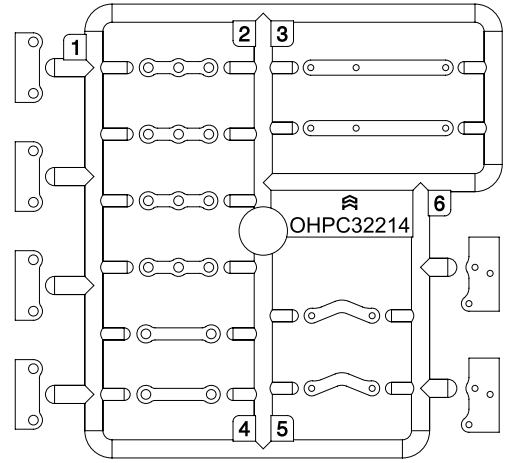
1X OHPC32066

1X OHPC32072

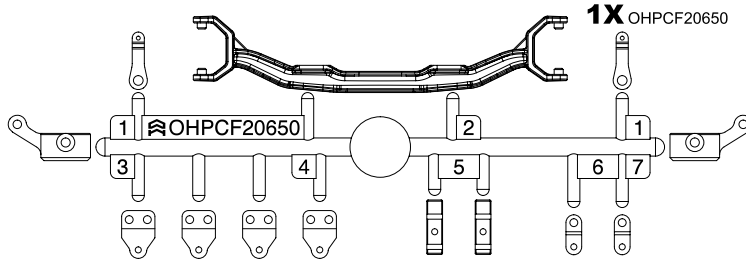




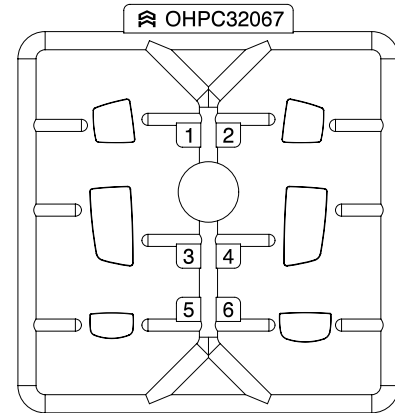
1X OHPCF20500



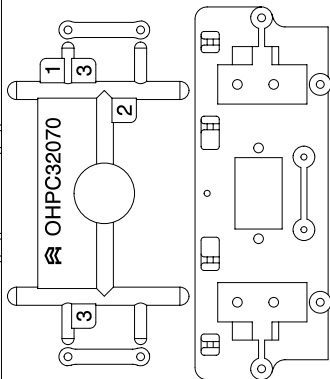
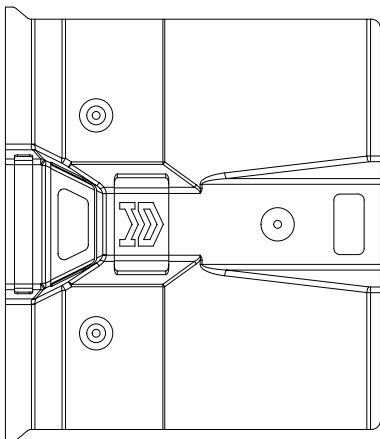
1X OHPC32214



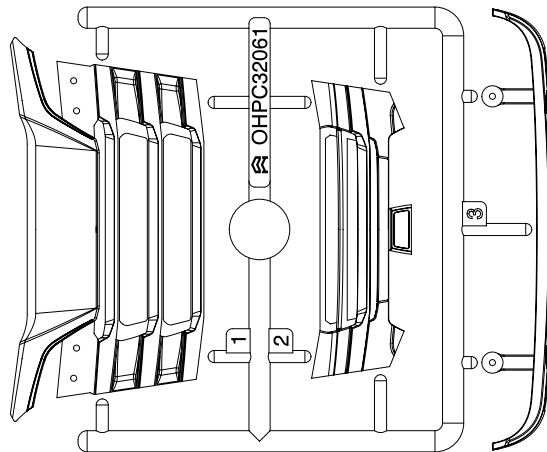
1X OHPCF20650



1X OHPC32067

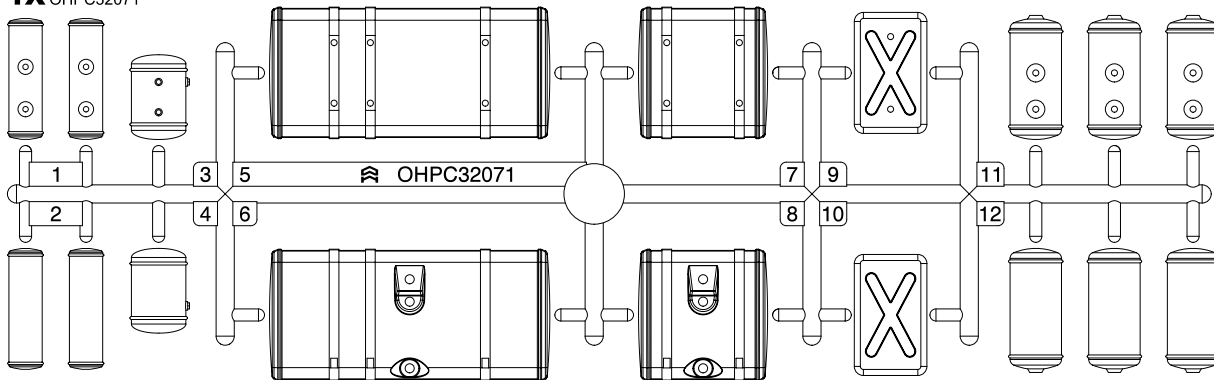


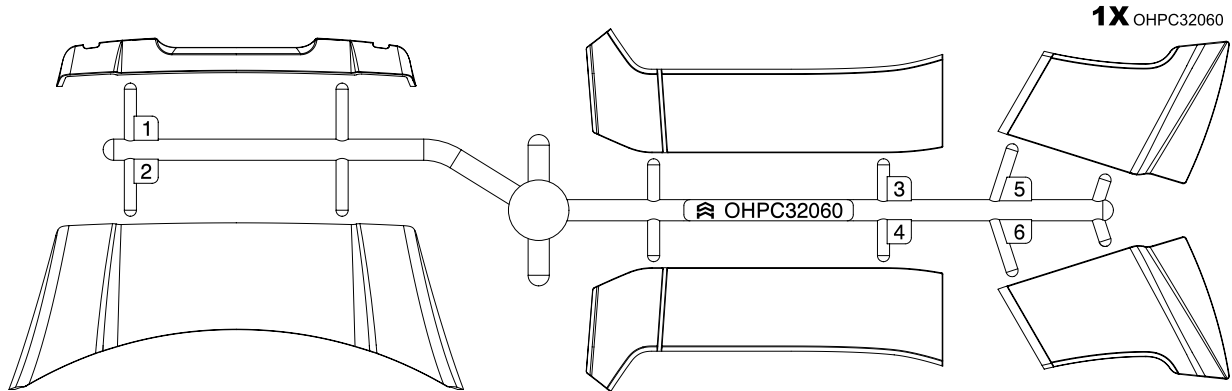
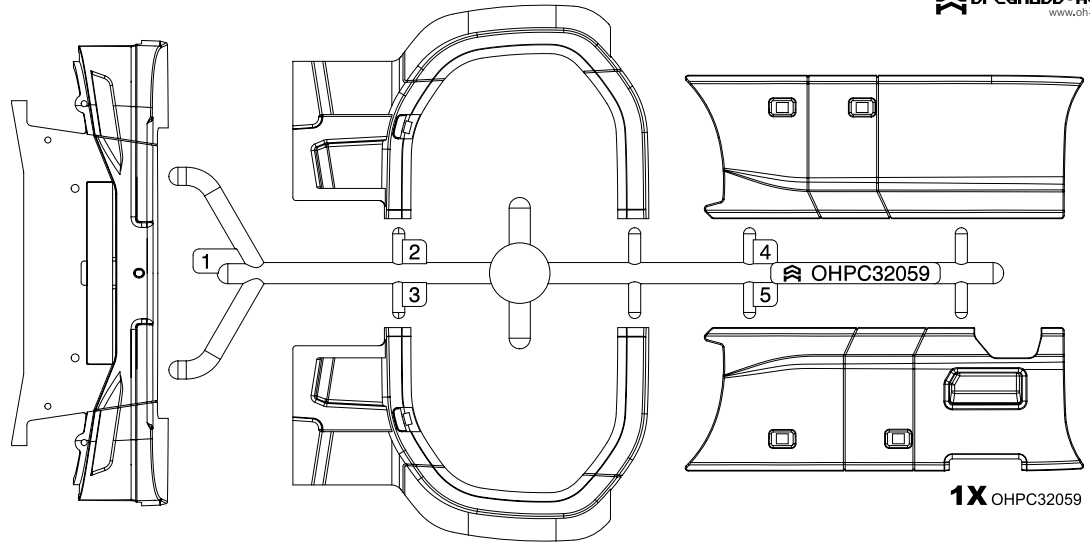
1X OHPC32070

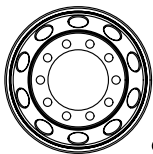


1X OHPC32061

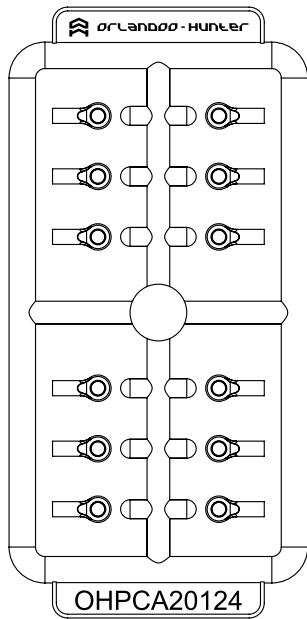
1X OHPC32071



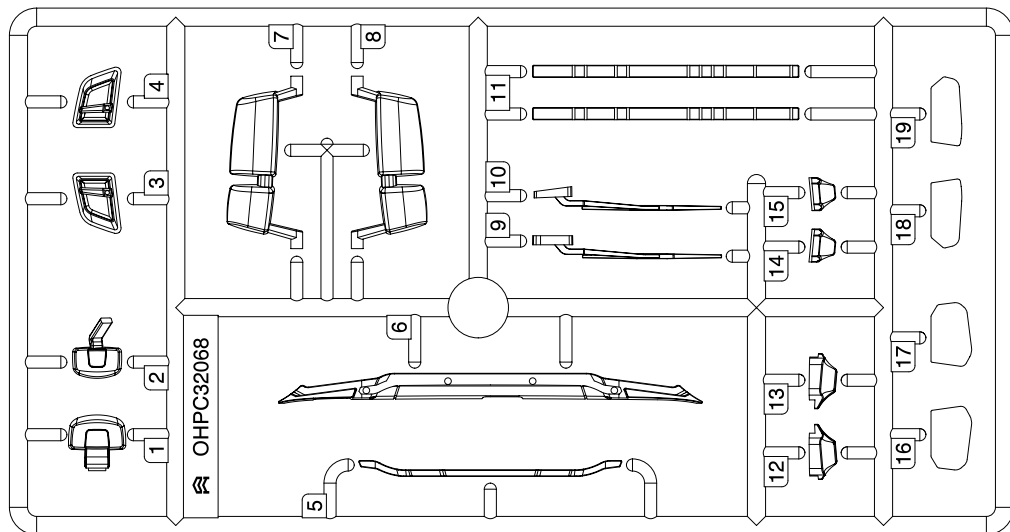




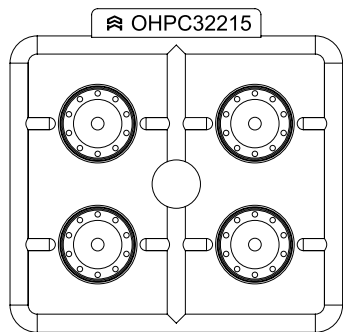
11X
OHPCG31901



1X OHPCA20124

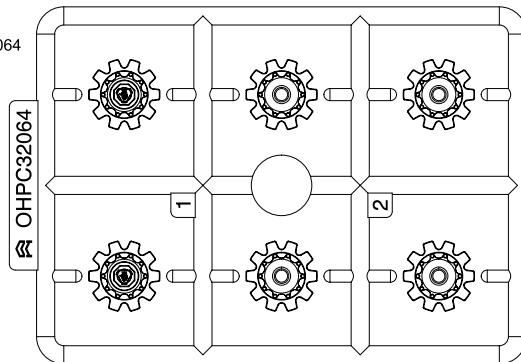


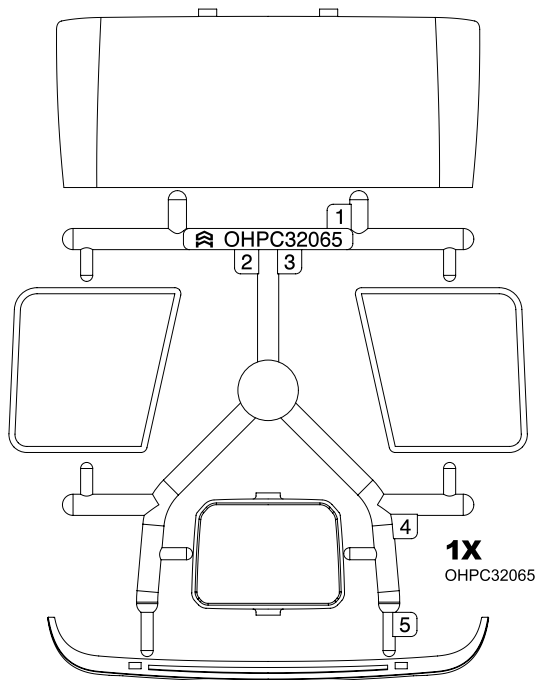
1X OHPC32068



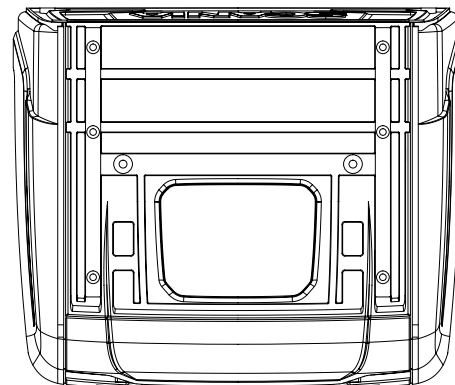
2X
OHPC32215

1X
OHPC32064

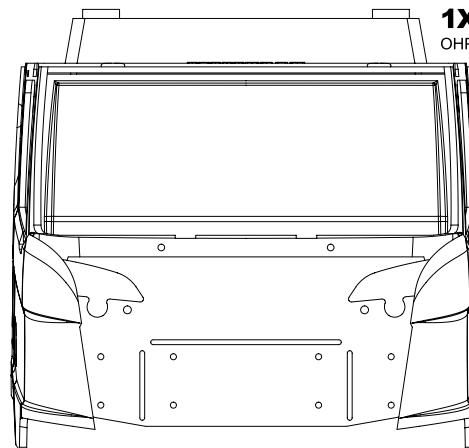




1X
OHPC32065



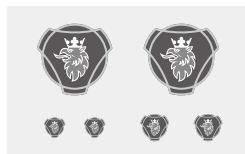
1X
OHPC32057



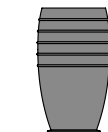
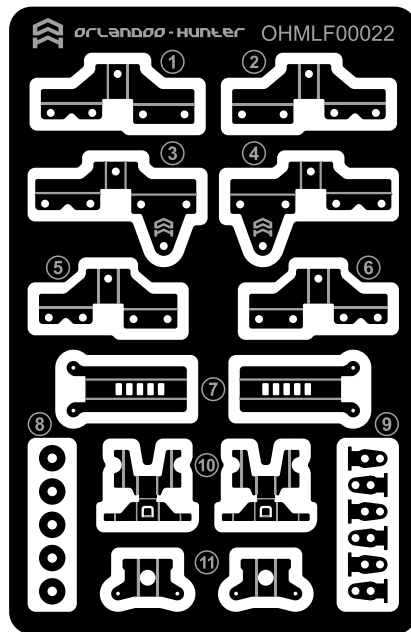
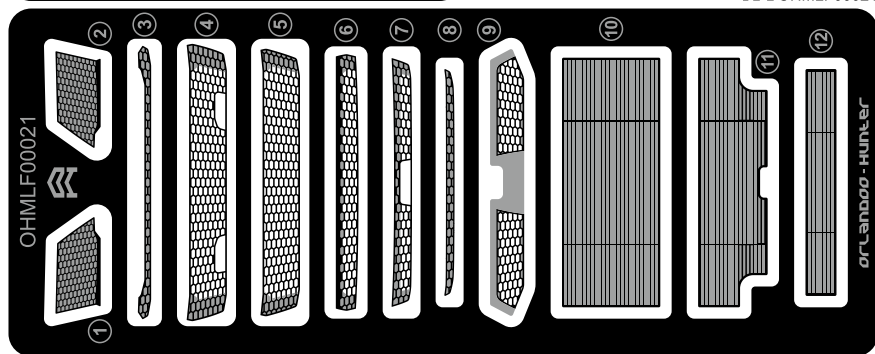
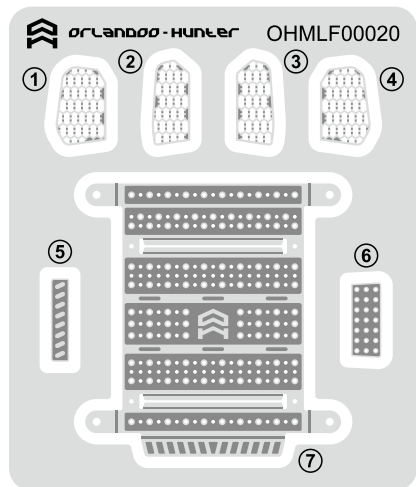
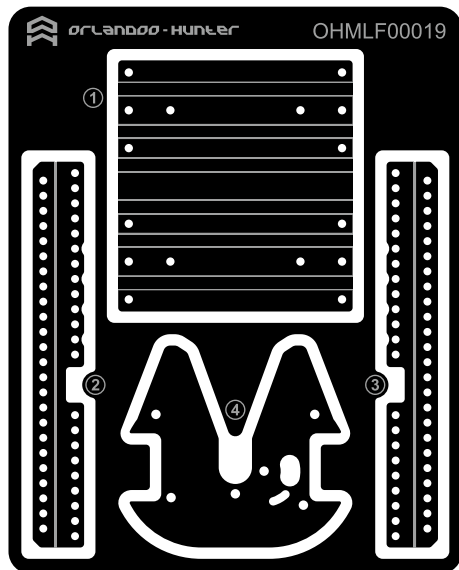
1X
OHPC32058

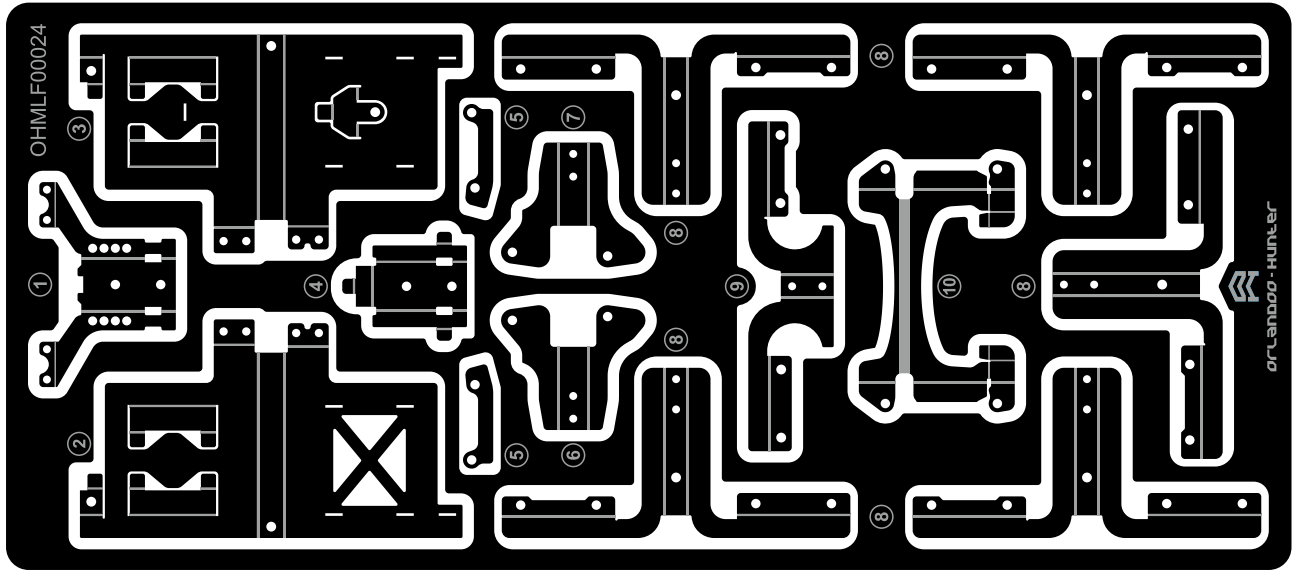


1X WP0012



1X WP0013

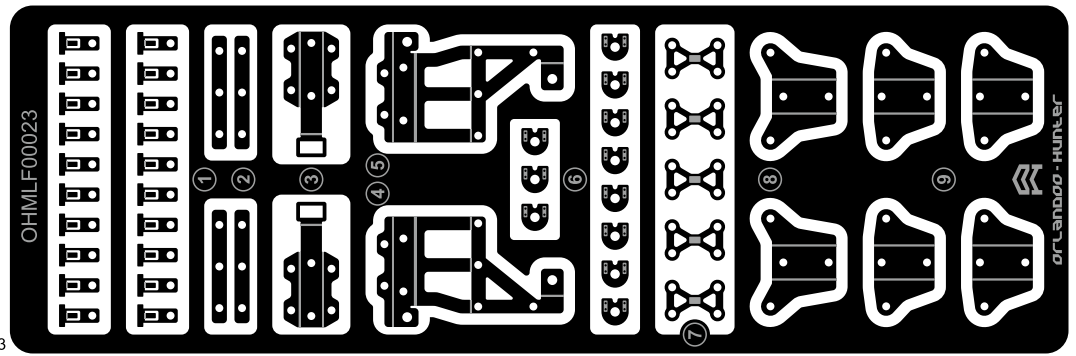


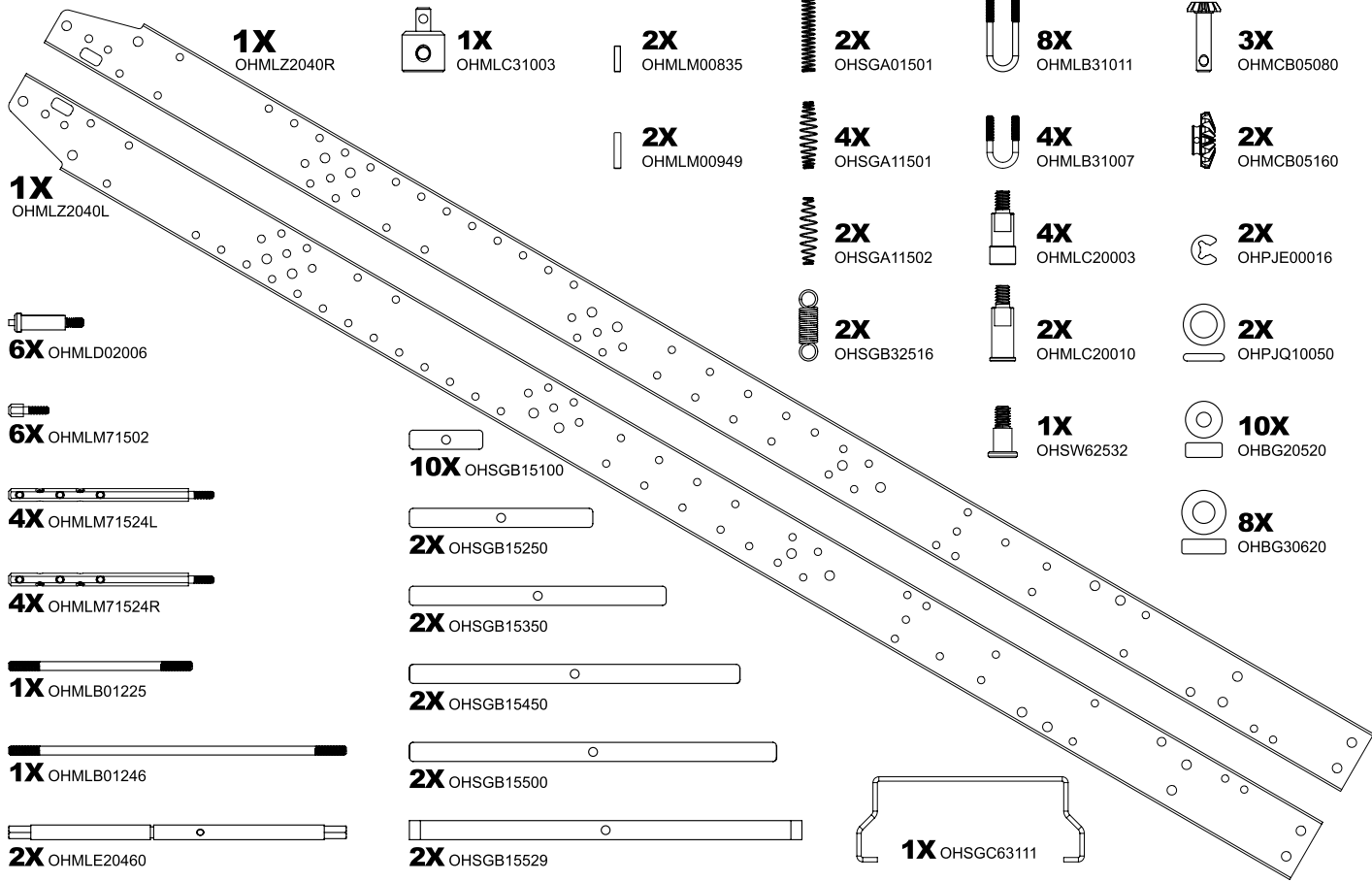


1X OHMLF00024



1X OHMLF00023





1X
OHMLZ2040R

1X
OHMLC31003

2X
OHMLM00835

2X
OHSGA01501

8X
OHMLB31011

3X
OHMCB05080

1X
OHMLZ2040L

2X
OHMLM00949

4X
OHSGA11501

4X
OHMLB31007

2X
OHMCB05160

6X
OHMLD02006

2X
OHSGA11502

4X
OHMLC20003

2X
OHPJE00016

6X
OHMLM71502

2X
OHSGB32516

2X
OHMLC20010

2X
OHPJQ10050

10X
OHSGB15100

1X
OHSW62532

10X
OHBG20520

4X
OHMLM71524L

2X
OHSGB15250

8X
OHBG30620

4X
OHMLM71524R

2X
OHSGB15350

1X
OHMLB01225

2X
OHSGB15450

1X
OHMLB01246

2X
OHSGB15500

2X
OHMLE20460

2X
OHSGB15529

1X
OHSGC63111

1X
OHMLA2016A

8X
OHMLA2016Z

1X
OHMLA2016A

4X
OHMLA20260

6X
OHMLA20400

26X
OHSW61516

1X
OHSW82002

120X
OHSW90103

6X
OHSW90102

66X
OHSW01002

12X
OHSW01003

16X
OHSW01202

88X
OHSW01203

52X
OHSW01204

6X
OHSW01205

3X
OHSW01503

4X
OHSW01505

2X
OHSW01804

28X
OHSW11002

24X
OHSW11003

4X
OHSW11005

26X
OHSW11006

40X
OHSW11007

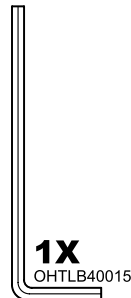
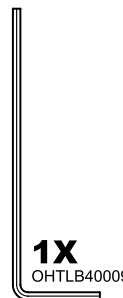
60X
OHSW11202

26X
OHSW11203

6X
OHSW11205

2X
OHSW11603

1X
OHTLB10021



工具包内包含 TOOL CONTENTS

十字螺丝刀
 六角锁胎器
 内六角扳手
 外六角扳手
 双面减震垫

Phillips Screwdriver
 Nut Driver
 "L" Type Hexagon Screwdriver
 Open End Wrenches
 Double Side Tape

1X
OHTLB32001



以下图标将会出现在接下来的装配图中，请先了解图标的含义！
 Following Icon will appear on the assembling chart, please understanding its meaning first!



制作两份
 Make
 Two Copies



制作四份
 Make
 Four Copies



制作六份
 Make
 Six Copies



制作十一份
 Make
 Eleven Copies



需上色
 Requiring Color



流缝胶
 Requiring
 Glue



瞬干胶
 CA



选择
 Requiring
 Select



改装件
 Optional



注意
 Attention

A
打开包裹“A”

1

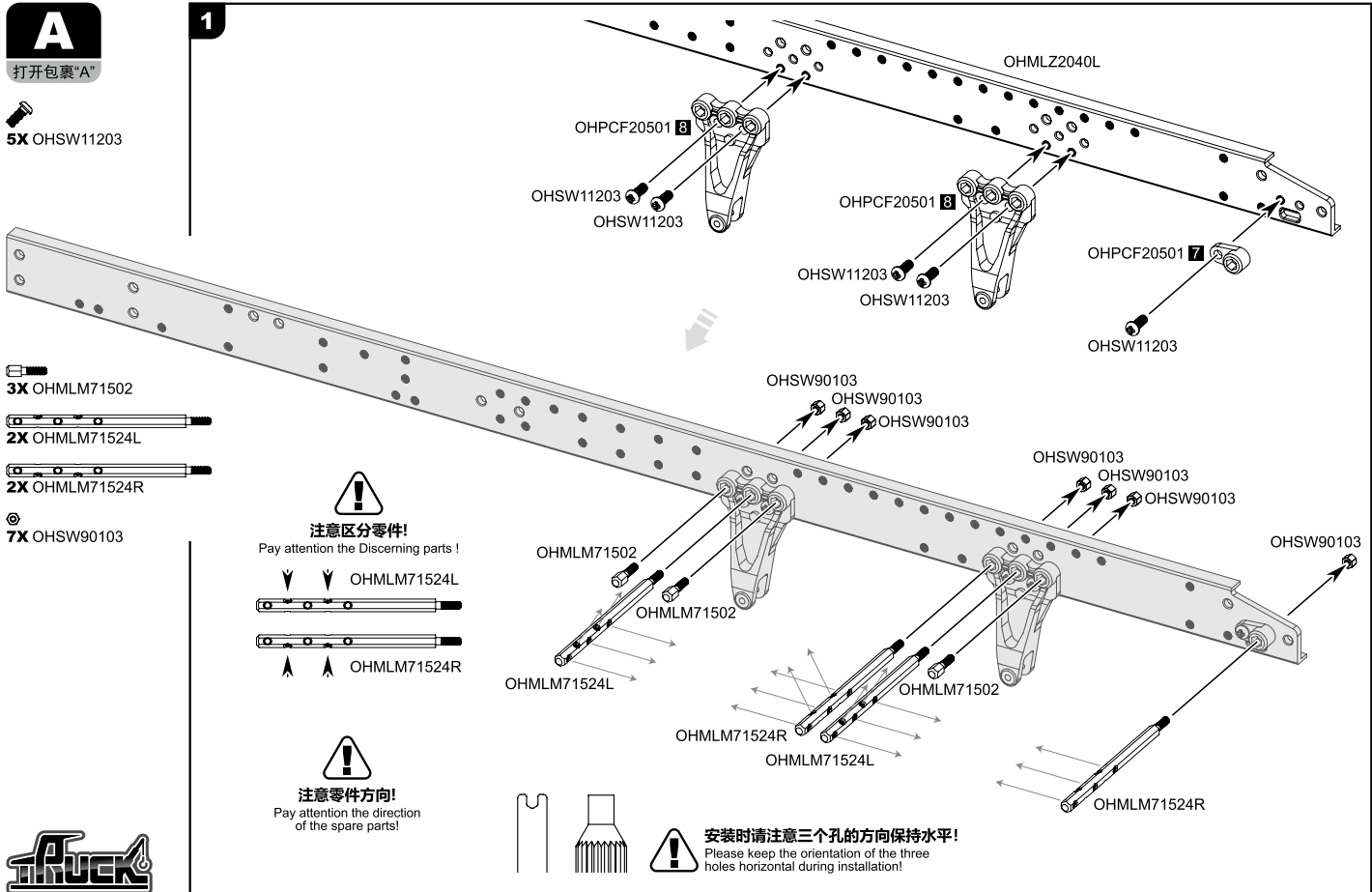
5X OHSW11203

3X OHMLM71502

2X OHMLM71524L

2X OHMLM71524R

7X OHSW90103



!
注意区分零件!
Pay attention the Discerning parts !

↓ ↓ OHMLM71524L
↑ ↑ OHMLM71524R

!
注意零件方向!
Pay attention the direction of the spare parts!

! **安装时请注意三个孔的方向保持水平!**
Please keep the orientation of the three holes horizontal during installation!

 **5X** OHSW11203

 **3X** OHMLM71502

 **2X** OHMLM71524L

 **2X** OHMLM71524R

 **7X** OHSW90103

2



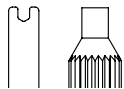
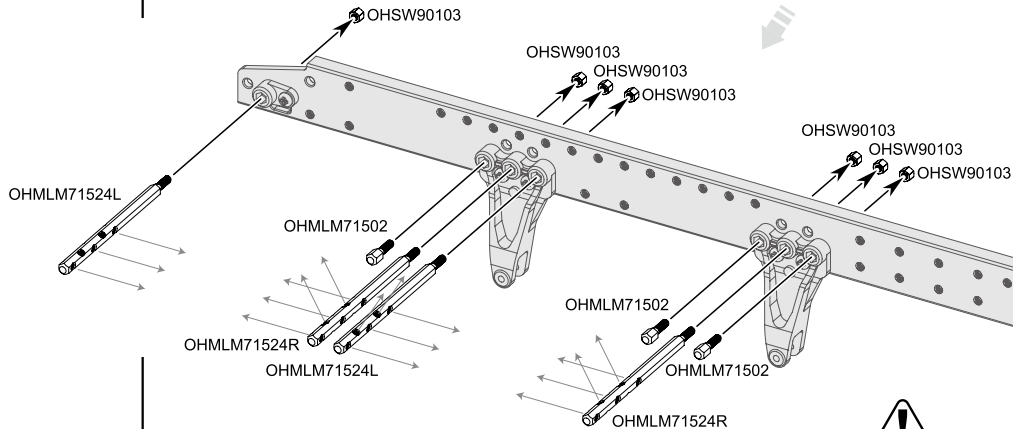
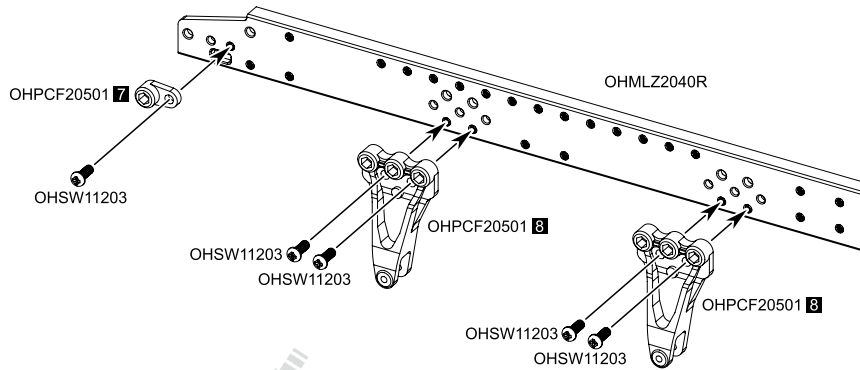
注意区分零件!

Pay attention the Discerning parts!

▼ ▼ OHMLM71524L



▲ ▲ OHMLM71524R



安装时请注意三个孔的方向保持水平!
 Please keep the orientation of the three holes horizontal during installation!

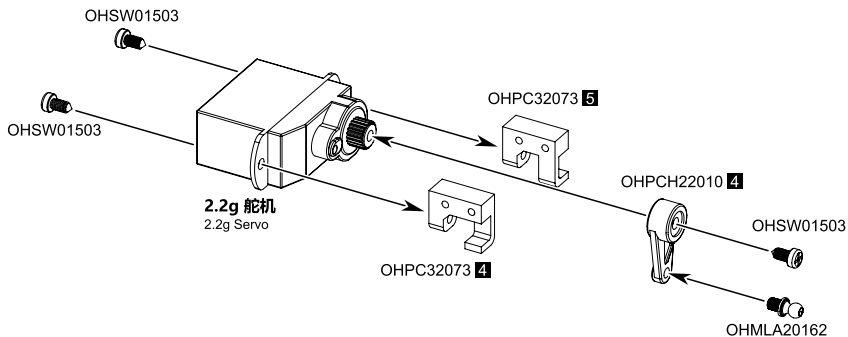


注意零件方向!
 Pay attention the direction of the spare parts!

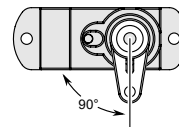
 **1X** OHMLA20162

 **3X** OHSW01503

3



本套件内不包含舵机!
The kits are not including the servo.



请在安装舵机前调整好舵机中立点，按上图安装舵机摇臂，舵机摇臂和舵机底面呈90度角。

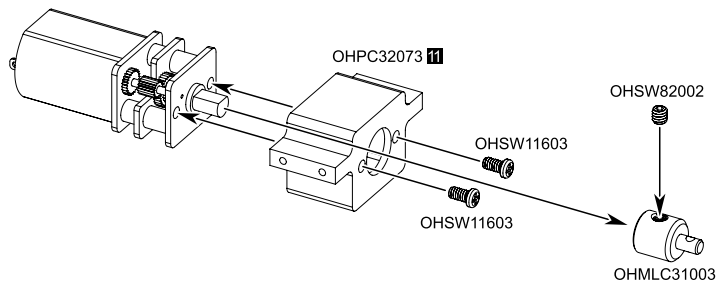
Before fixed the servo, please set the Intermediate point, according the above chart to fix the arm of motor, the arm should vertical to the bottom surface.

 **1X** OHMLC31003

 **2X** OHSW11603

 **1X** OHSW82002

4



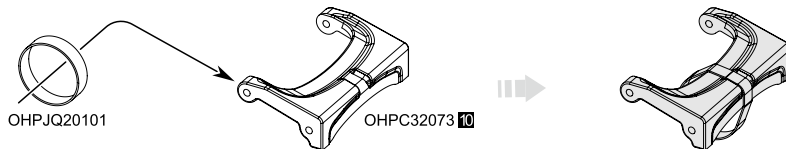
本套件内不包含电机!
减速电机减速组尺寸为12mm*10mm*9mm,
电机最长限制为18mm,
减速组输出轴径为3mm 轴长4.5mm。

The kits not included any motor!
The decelerate size is 12mm*10mm*9mm,
The max length of motor is 18mm,
The deceleration group output shaft diameter is 3mm,
shaft length is 4.5mm.

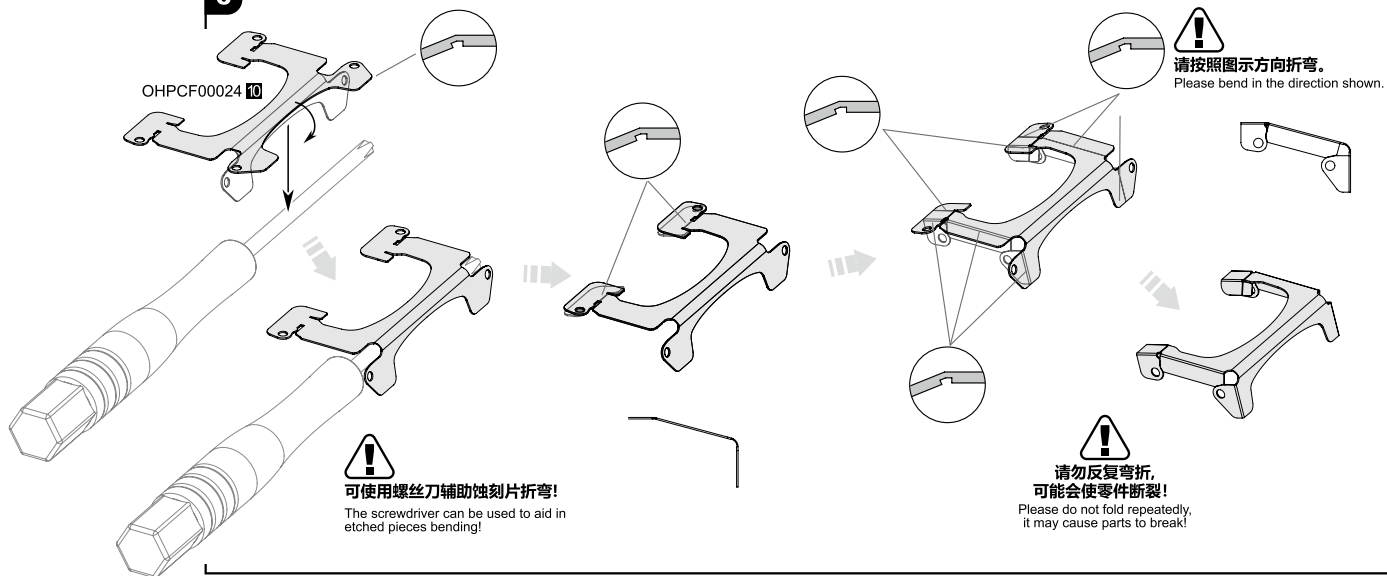


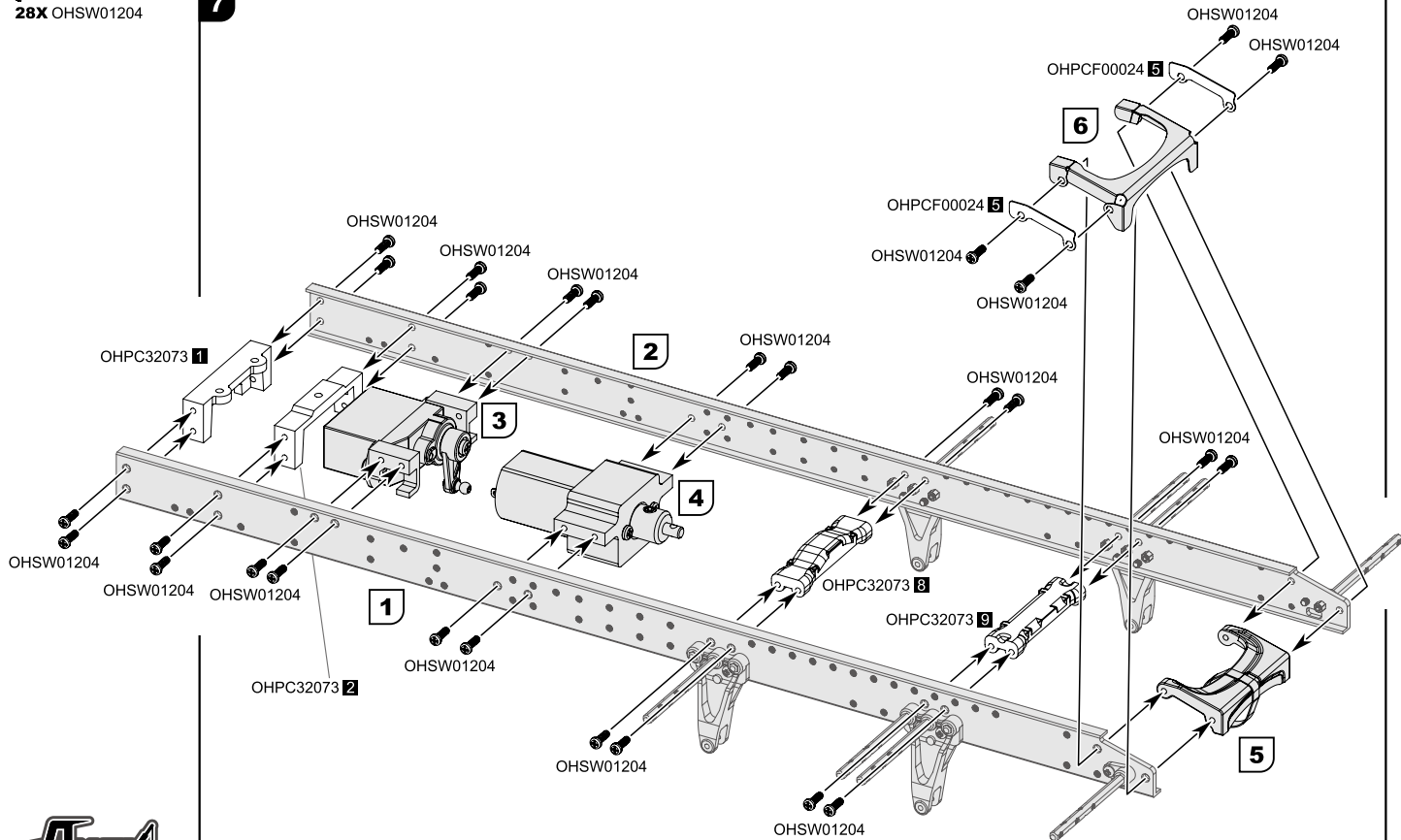
1X OHPJQ20101

5



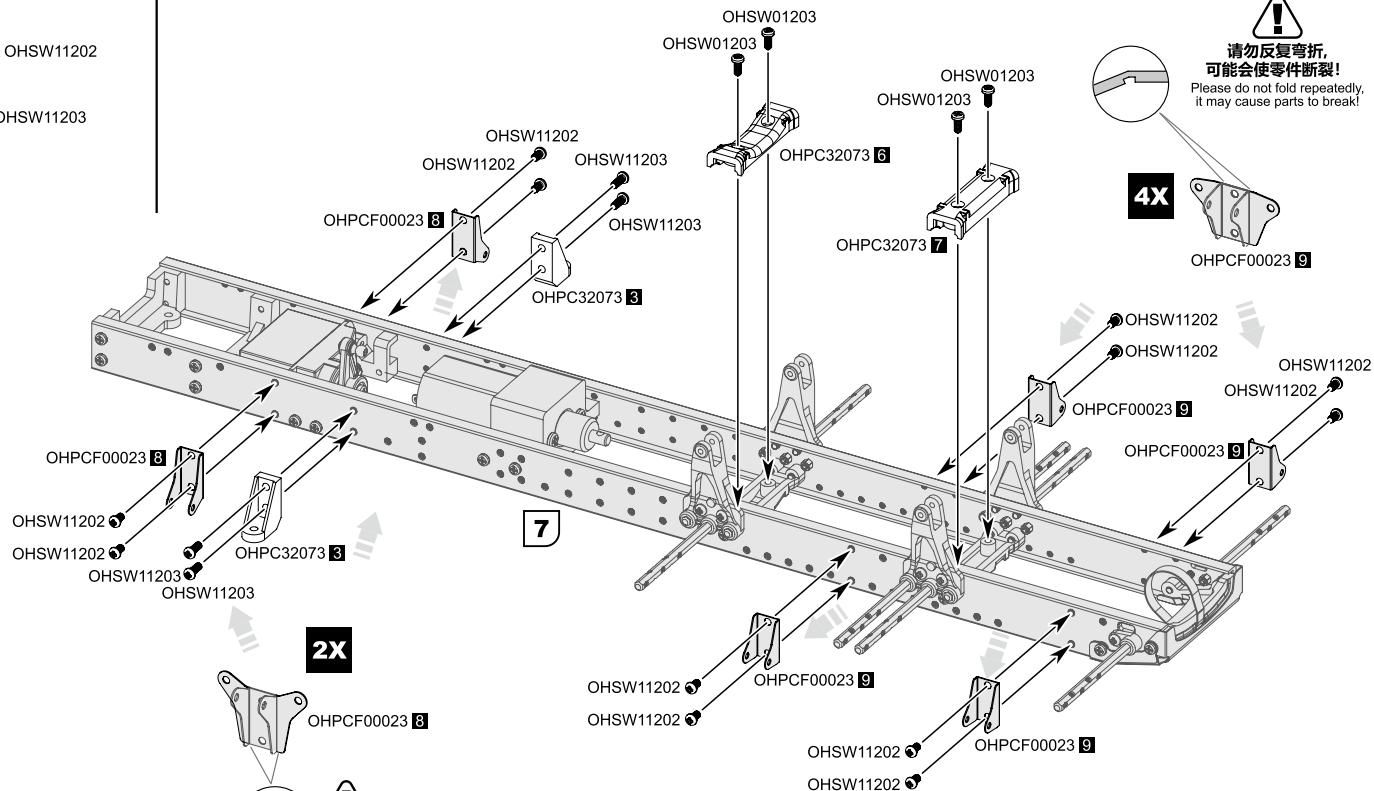
6





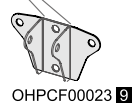
-  **4X** OHSW01203
-  **12X** OHSW11202
-  **4X** OHSW11203

8

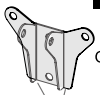



**请勿反复弯折，
 可能会使零件断裂！**
 Please do not fold repeatedly,
 it may cause parts to break!

4X



2X



请按照图示方向折弯。
 Please bend in the direction shown.

B

打开包裹“B”



8X OHSW11002



8X OHSW90103

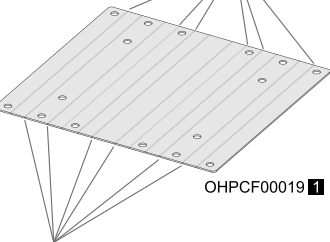
9



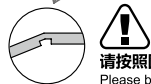
请勿反复弯折，
可能会使零件断裂！
Please do not fold repeatedly,
it may cause parts to break!



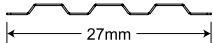
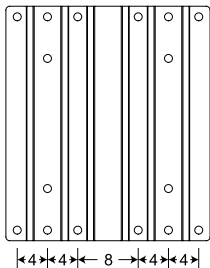
请按照图示方向折弯。
Please bend in the direction shown.



OHSW11002 1

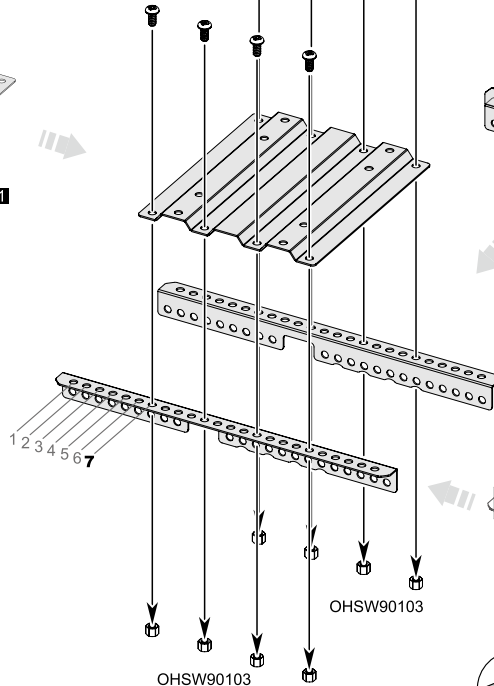


请按照图示方向折弯。
Please bend in the direction shown.



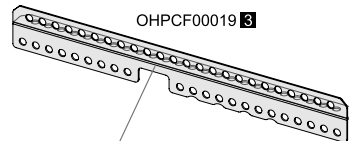
OHSW11002

OHSW11002

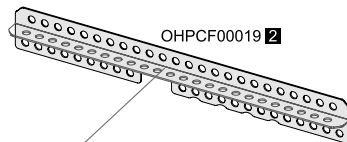


OHSW90103

OHSW90103



OHSW11002 3



OHSW11002 2

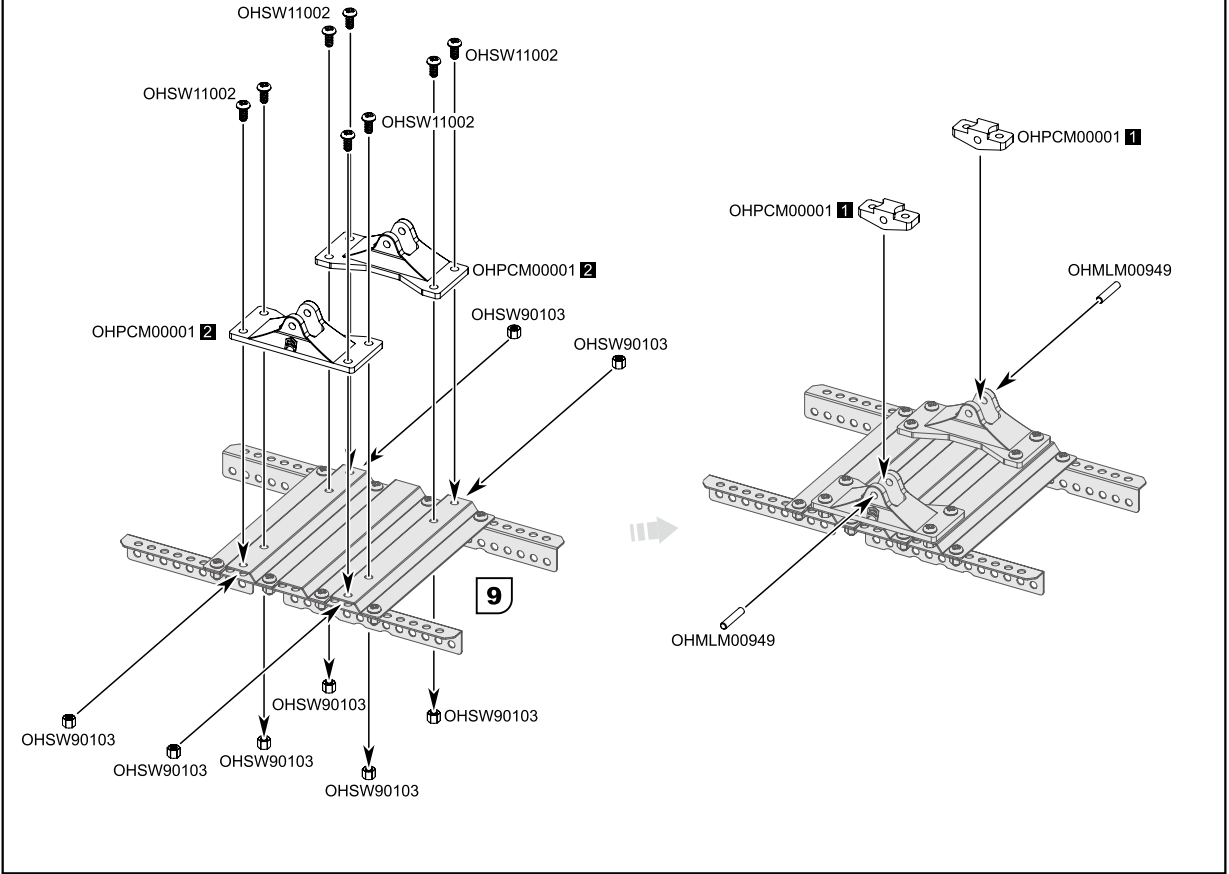


2X OHMLM00949

8X OHSW11002

8X OHSW90103

10





2X OHSGA01501

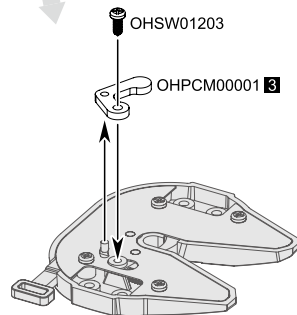
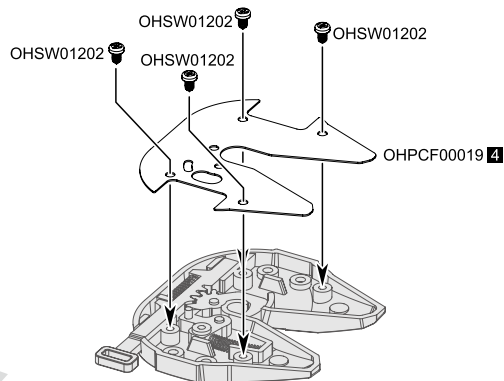
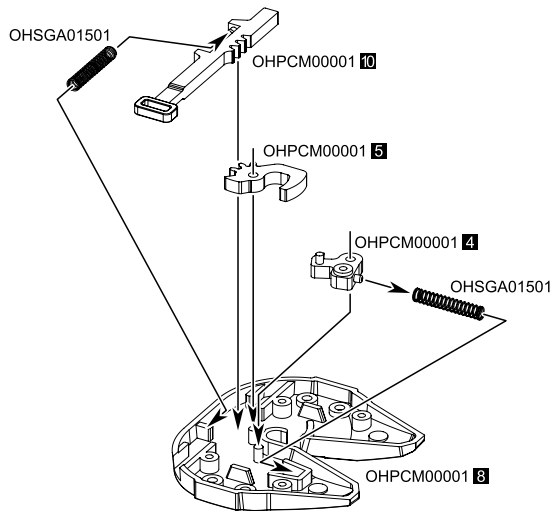


4X OHSW01202



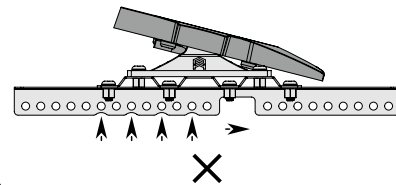
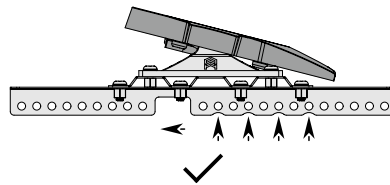
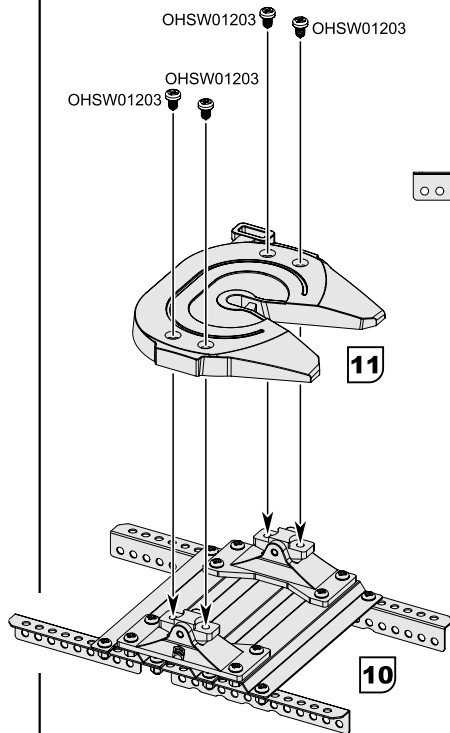
1X OHSW01203

11

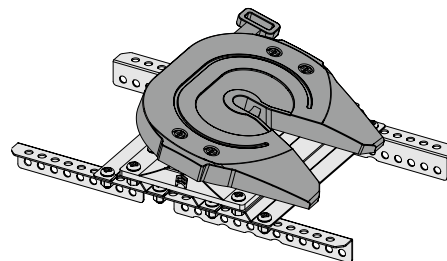


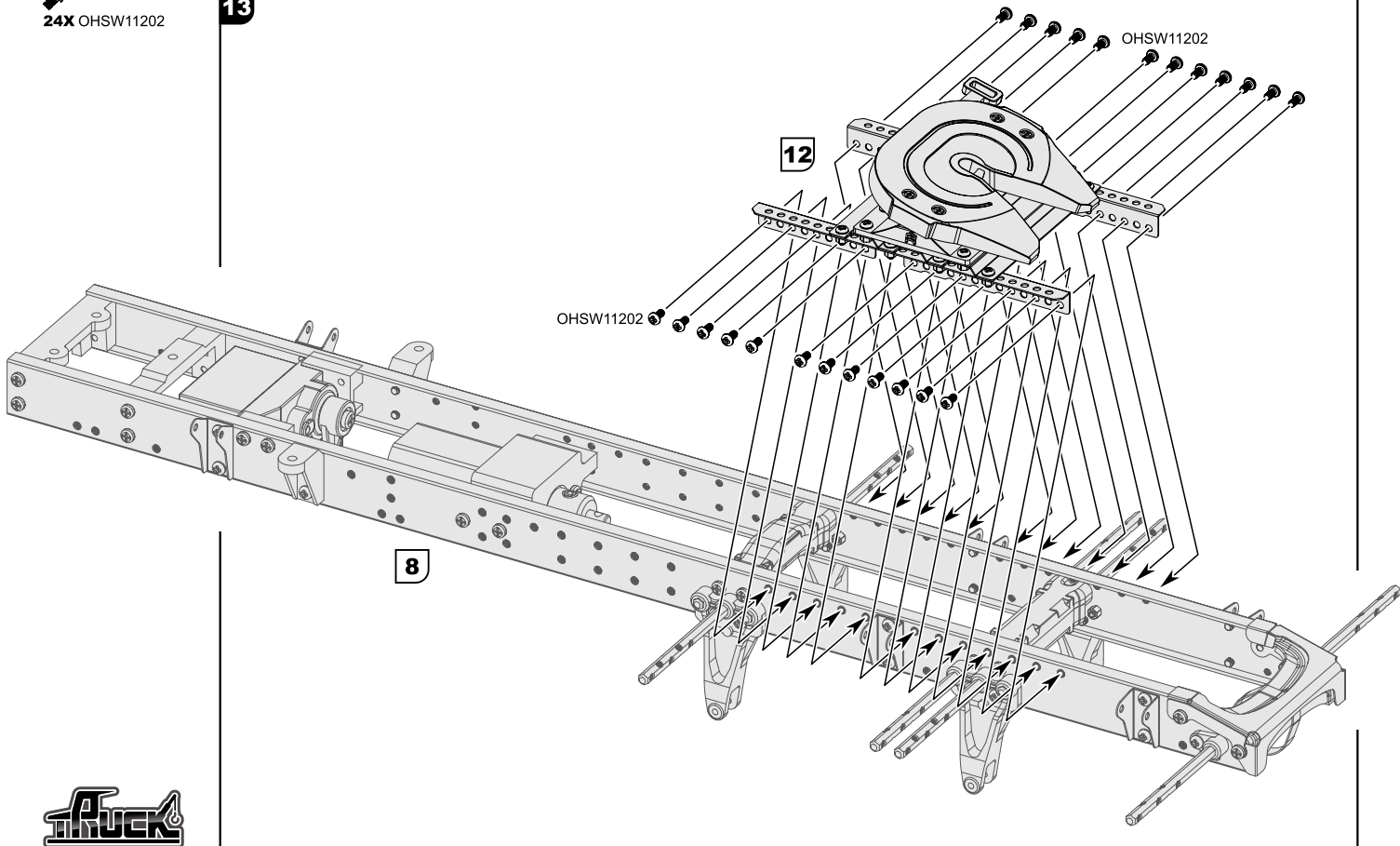
4x OHSW01203

12



注意零件方向!
Pay attention the direction
of the spare parts!

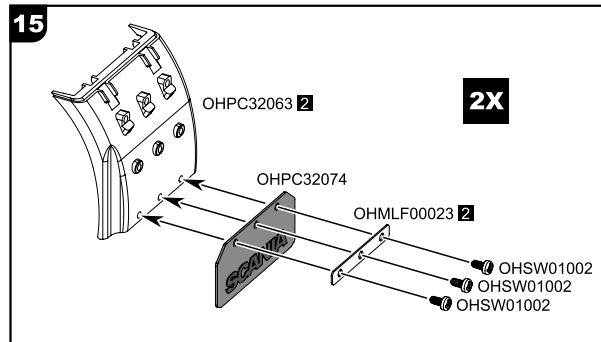
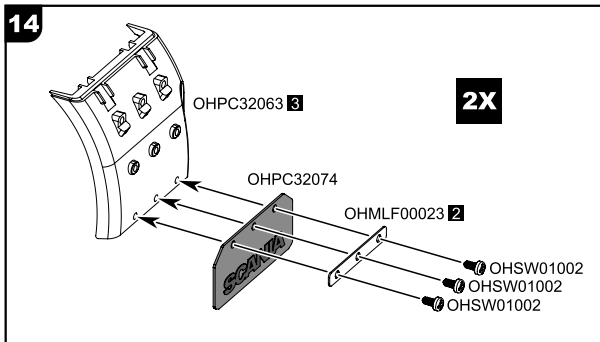




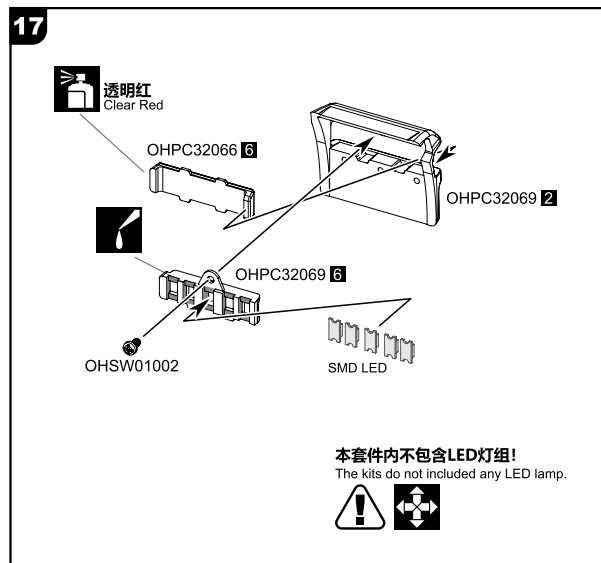
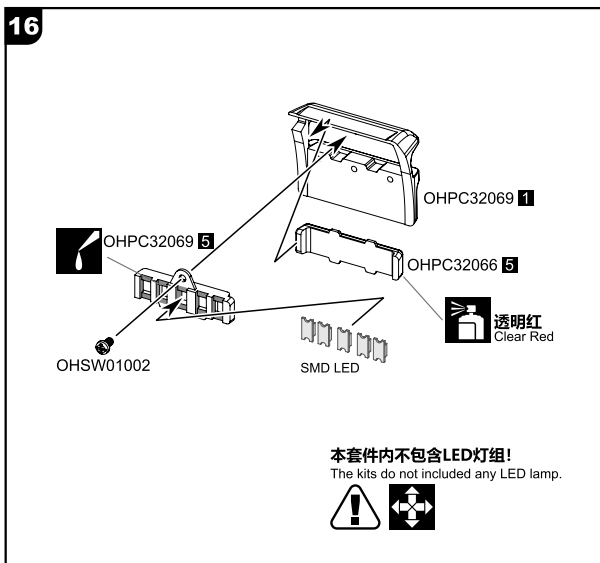


4X OHPC32074

12X OHSW01002



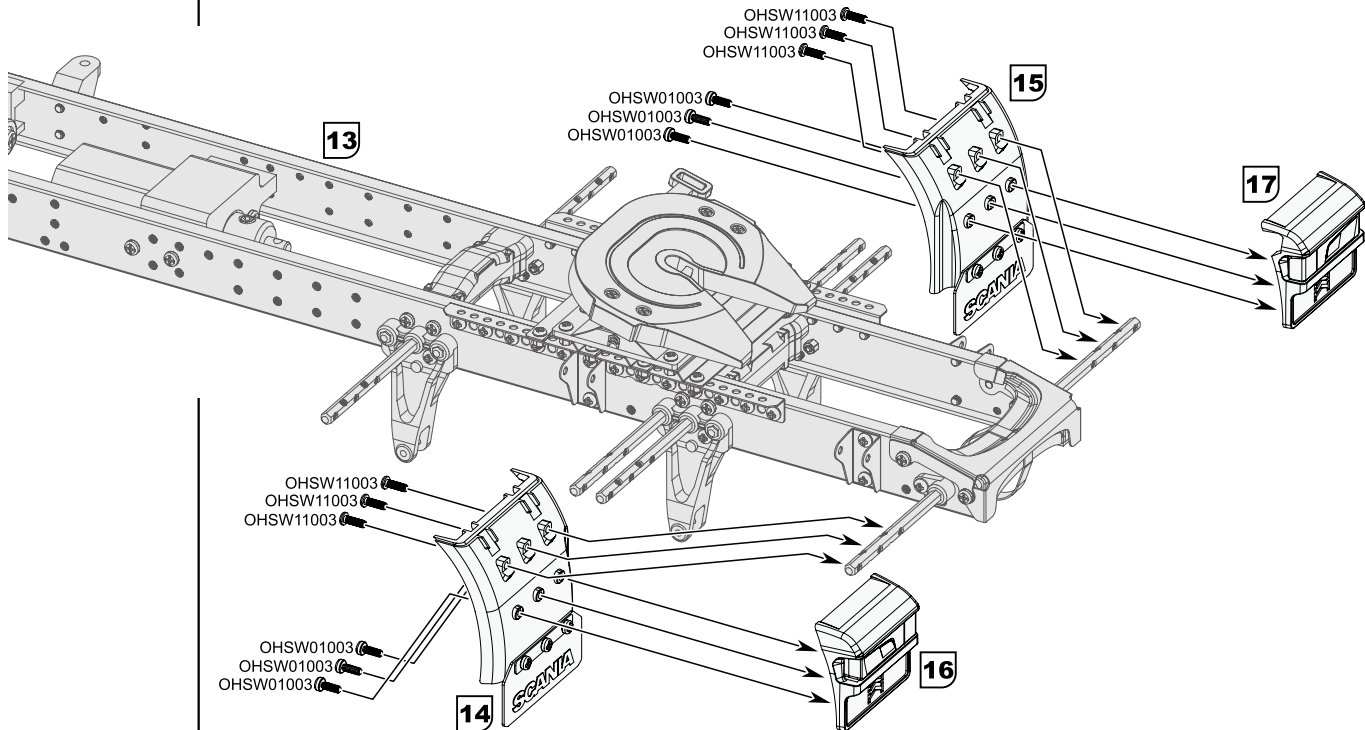
2X OHSW01002



 6X OHSW01003

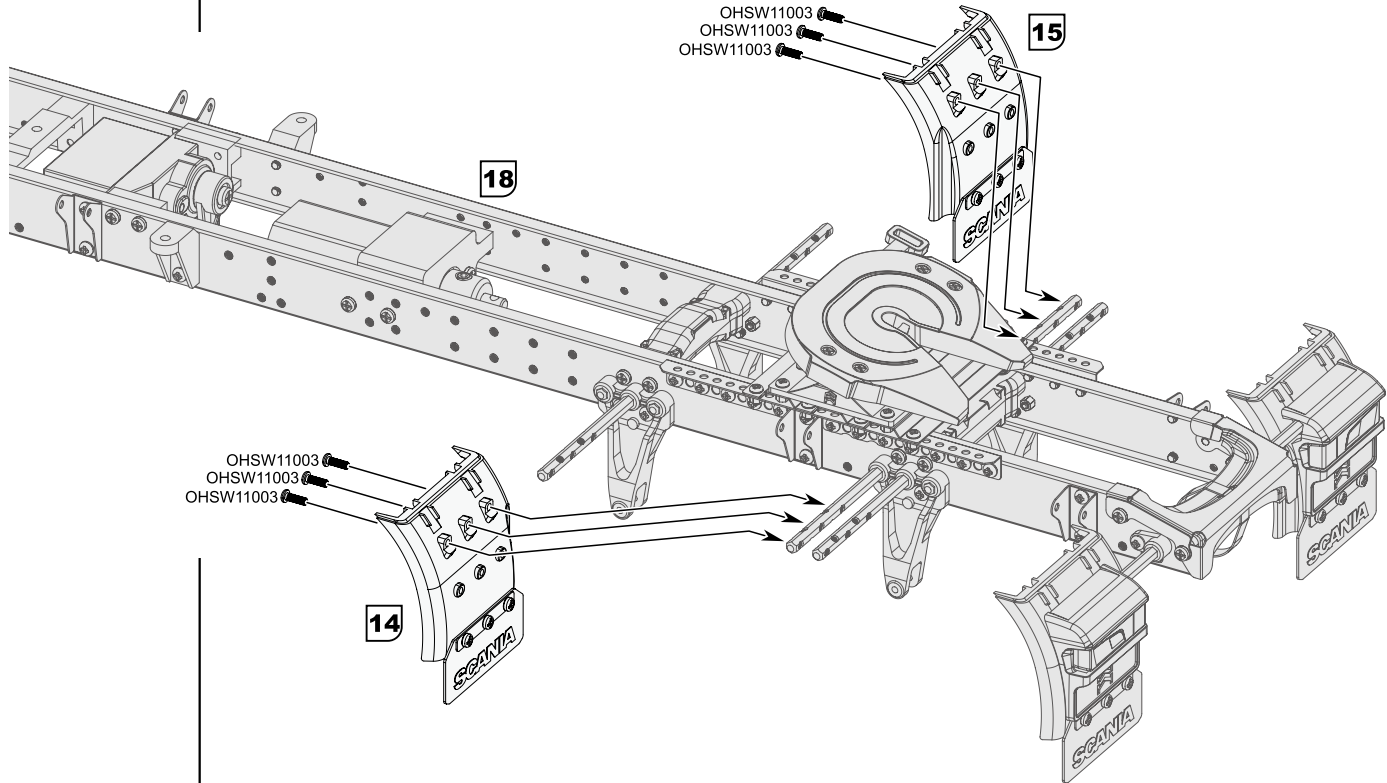
18

 6X OHSW11003



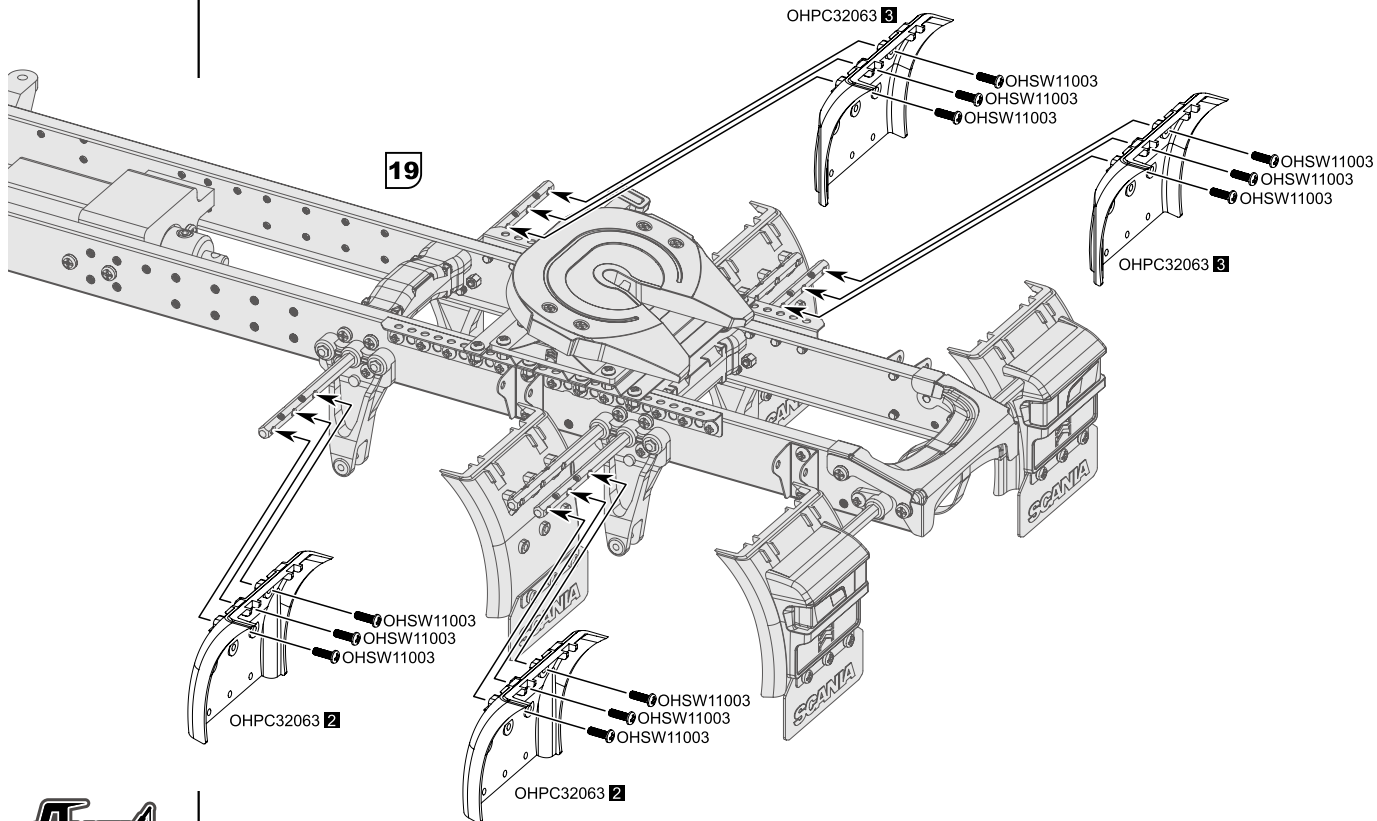
 6X OHSW11003

19



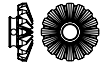
 12X OHSW11003

20

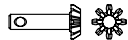


C

打开包裹“C”



1X OHMCB05160



2X OHMCB05080

1X OHMLM00835



1X OHMLE20460



1X OHPJE00016



1X OHPJQ10050

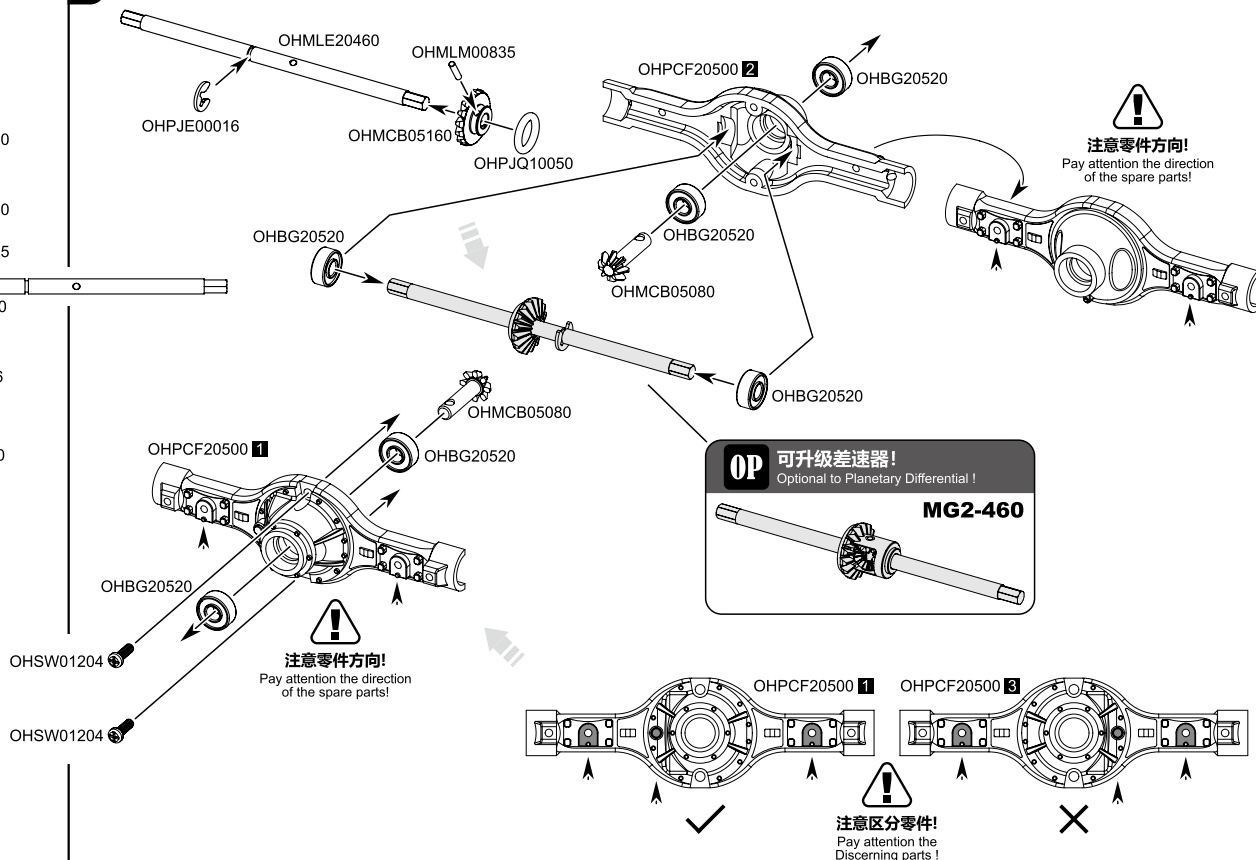


6X OHBG20520



2X OHSW01204

21



注意零件方向!
 Pay attention the direction
 of the spare parts!

OP 可升级差速器!
 Optional to Planetary Differential!

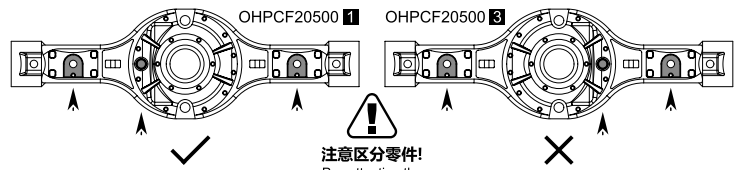
MG2-460

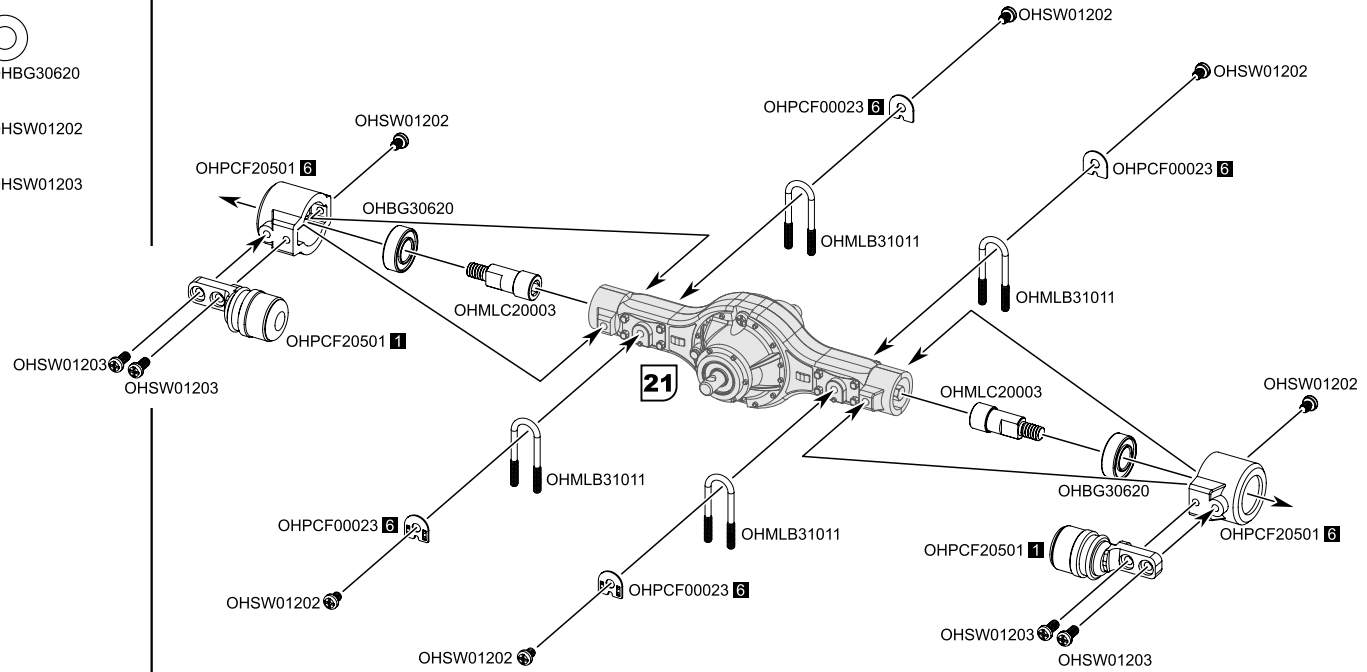
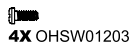
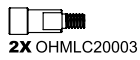
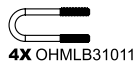





注意零件方向!
 Pay attention the direction
 of the spare parts!



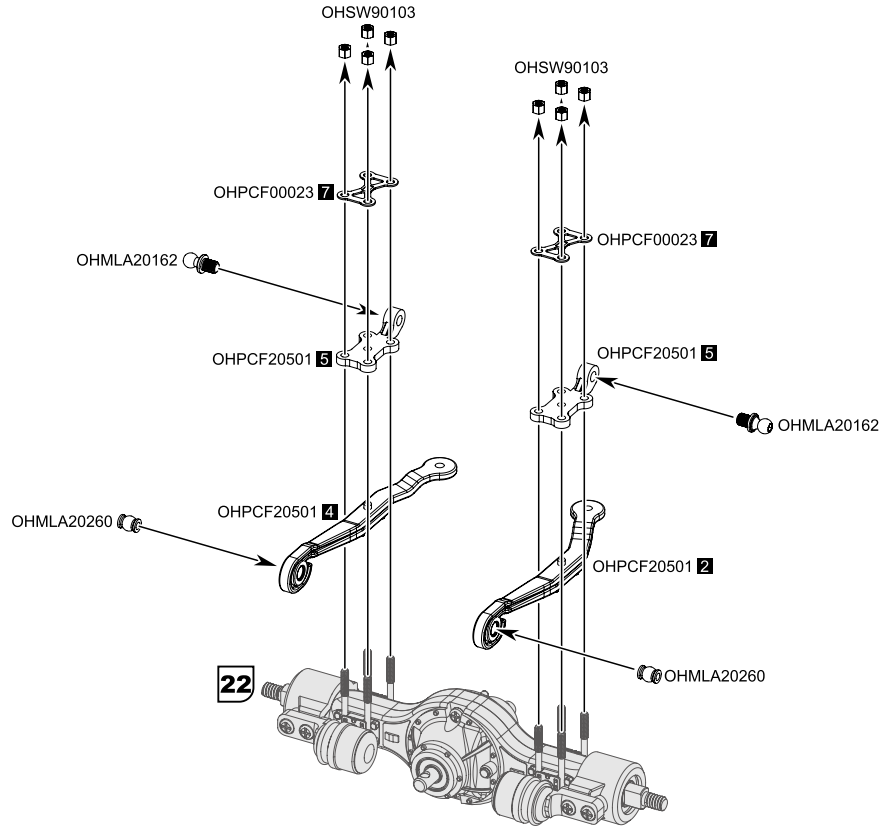
注意区分零件!
 Pay attention the
 Discerning parts!





-  **2X** OHMLA20162
-  **2X** OHMLA20260
-  **8X** OHSW90103

23



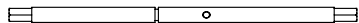


1X OHMCB05160



1X OHMCB05080

1X OHMLM00835



1X OHMLE20460

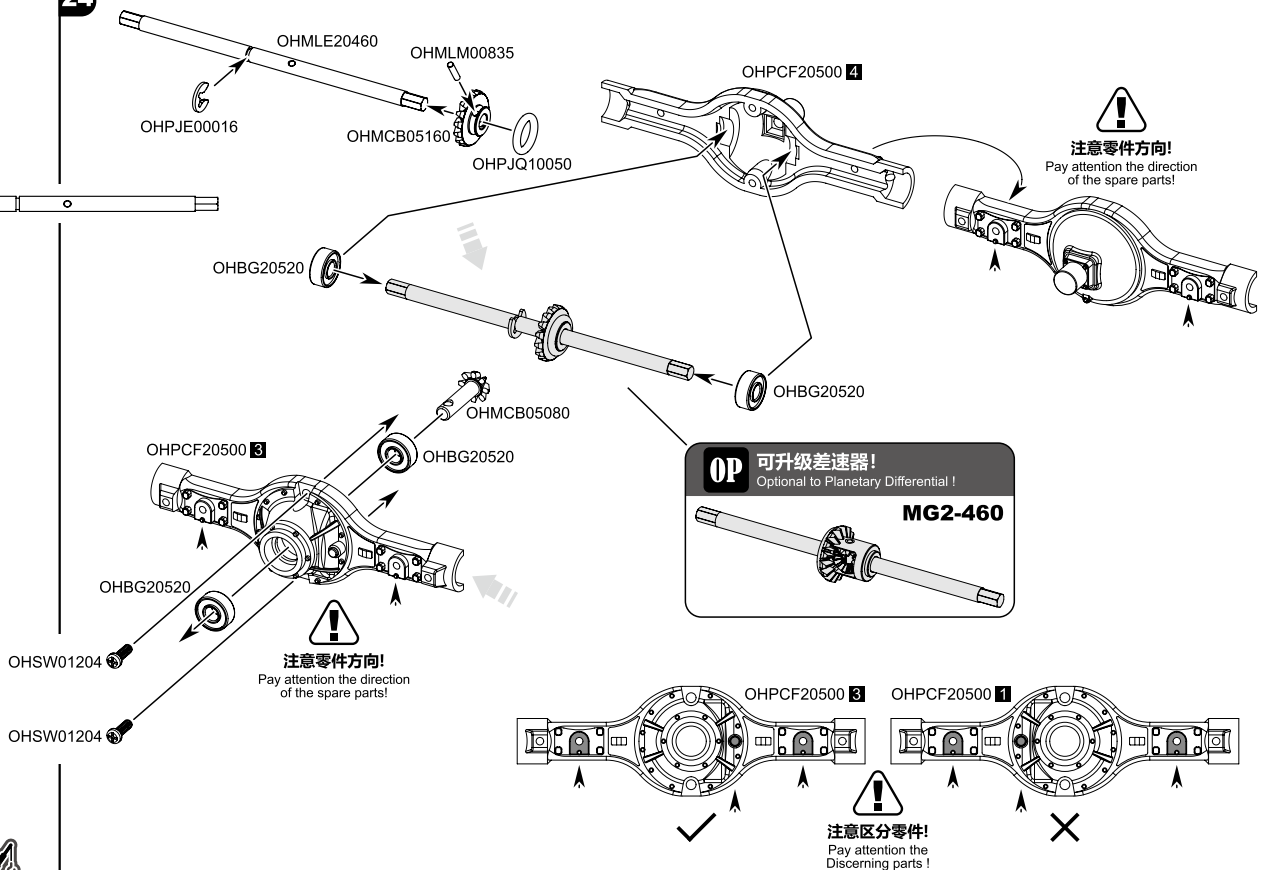
1X OHPJE00016

1X OHPJQ10050

4X OHBG20520

2X OHSW01204

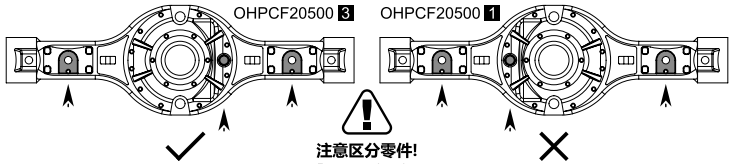
24



注意零件方向!
Pay attention the direction of the spare parts!

OP 可升级差速器!
Optional to Planetary Differential!

MG2-460



注意区分零件!
Pay attention the Discerning parts!





4X OHMLB31011



2X OHMLC20003



2X OHBG30620

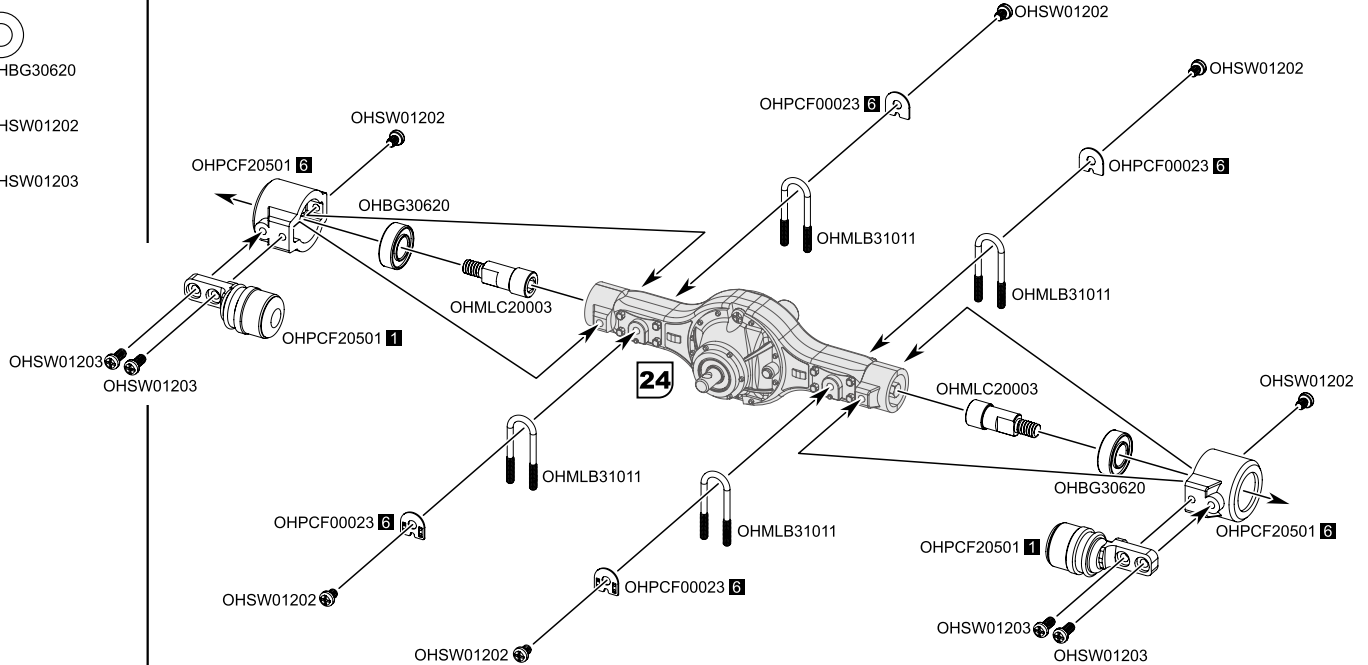


6X OHSW01202



4X OHSW01203

25





2X OHMLA20162

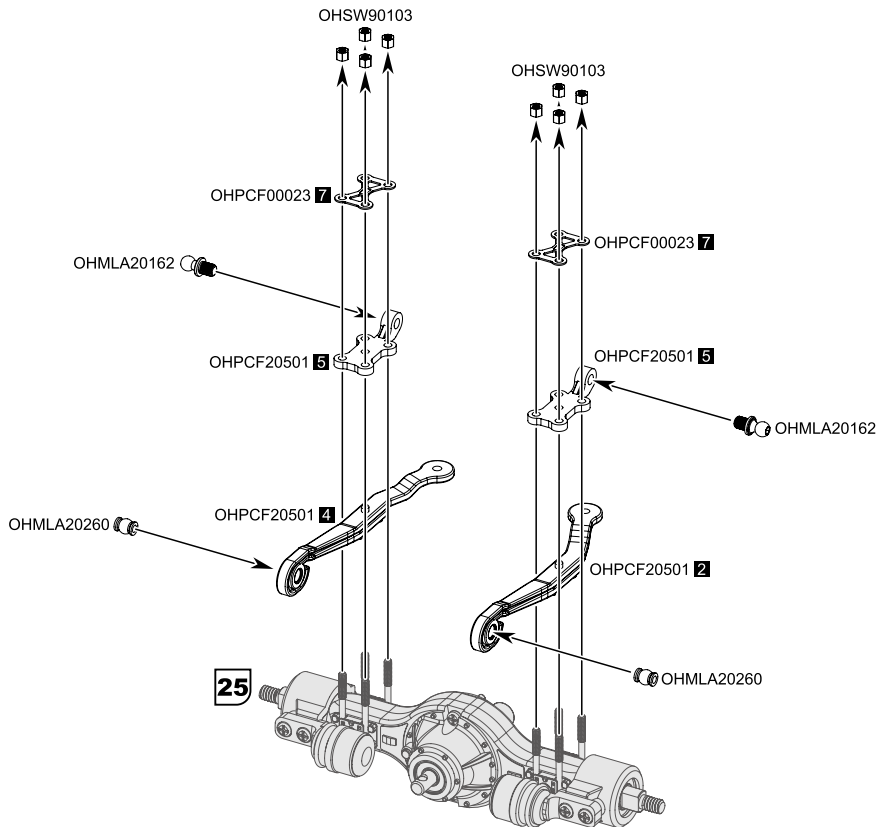


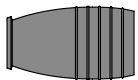
2X OHMLA20260



8X OHWSW90103

26



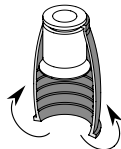
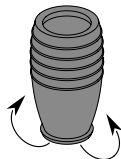


4X OHPCC32075

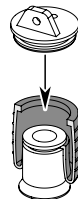
27

4X

OHPCC32075



OHPCC20501 3



OHPCC20501 9



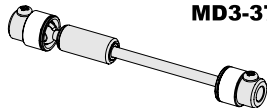
28

OP

可升级传动轴!

Optional to Transmission Shaft!

MD3-375



OHPCC52004 5



OHPCC52004 3

OHPCC52004 2

OHPCC52004 1

OHPCC52004 4

OHPCC52004 5



套入万向节时请控制力度，零件较小，请耐心等待。
 Do not use over strength to set the universal ball, due to the small spare parts, please be patient when assembling.

29



套入万向节时请控制力度，零件较小，请耐心等待。
 Do not use over strength to set the universal ball, due to the small spare parts, please be patient when assembling.

OHPCC52005 3

OHPCC52005 6



OHPCC52005 5

OHPCC52005 2

OHPCC52005 3

OHPCC52005 2

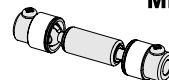
OHPCC52005 6

OP

可升级传动轴!

Optional to Transmission Shaft!

MD3-225





2X OHSGA11502



2X OHMLD02006



2X OHSW01203

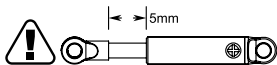
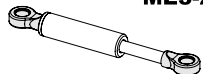
30

OP

可升级阻尼减震!

Optional to Transmission Shaft !

ME3-250X

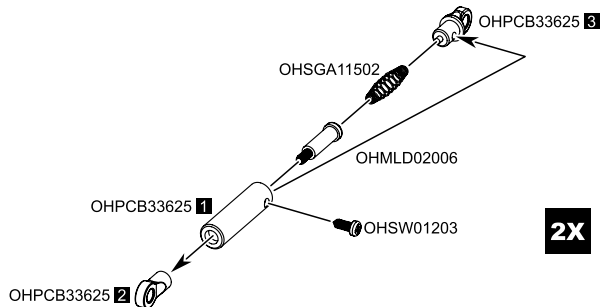


请调整减震距离约为5mm。

Please adjust the distance between shock absorber.

请使用尖嘴钳夹住丝杆再拧入减震座。

Please use Needle-nose pliers clamp to rod then twist into the shock absorber seat.



2X



4X OHSGA11501



4X OHMLD02006



4X OHSW01203

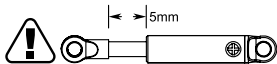
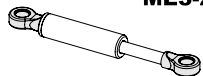
31

OP

可升级阻尼减震!

Optional to Transmission Shaft !

ME3-250X

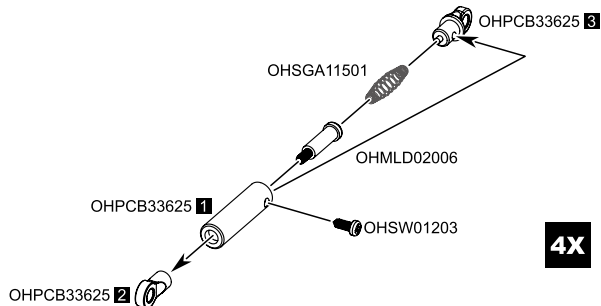


请调整减震距离约为5mm。





Please adjust the distance between shock absorber.

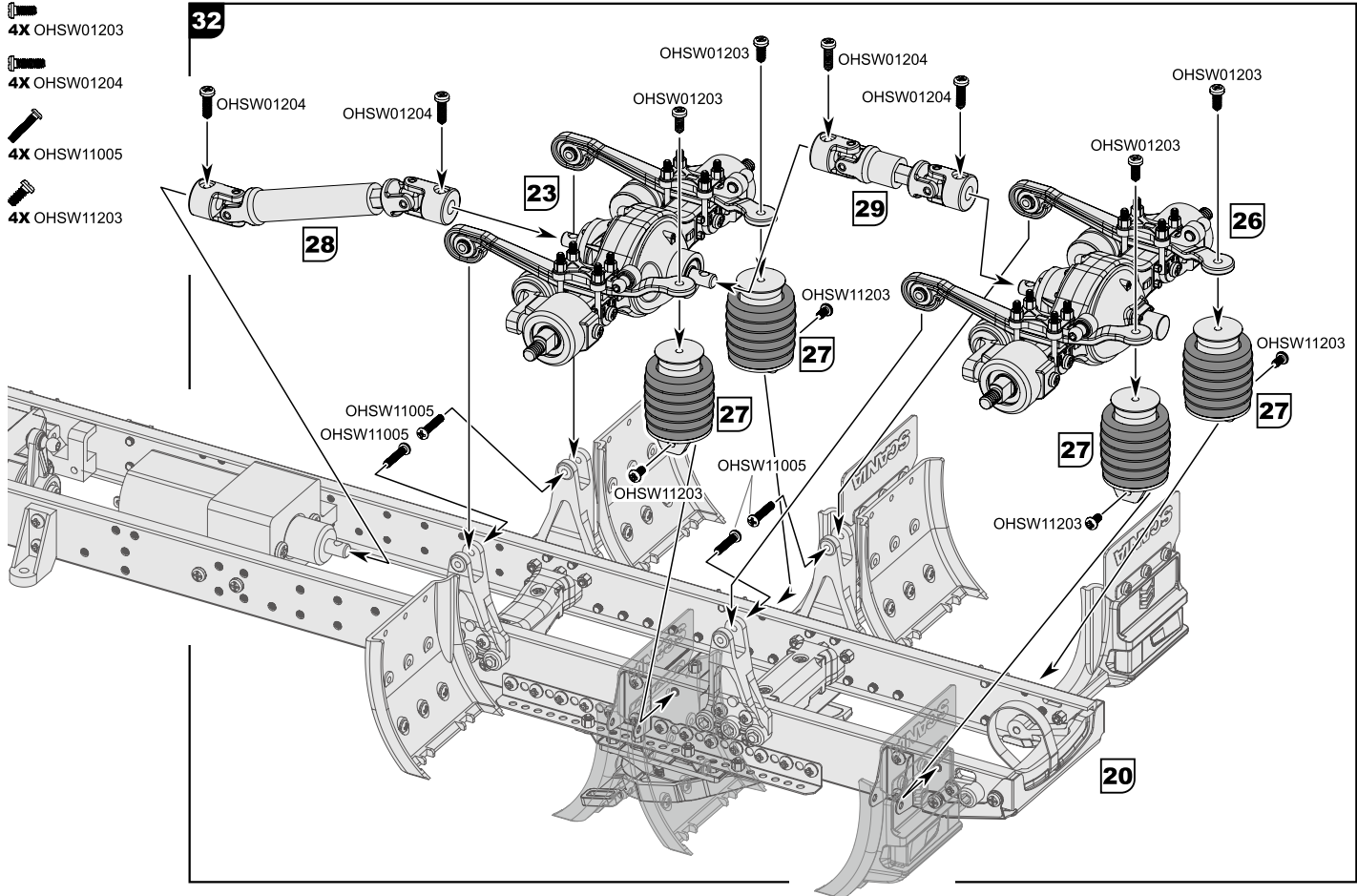
请使用尖嘴钳夹住丝杆再拧入减震座。

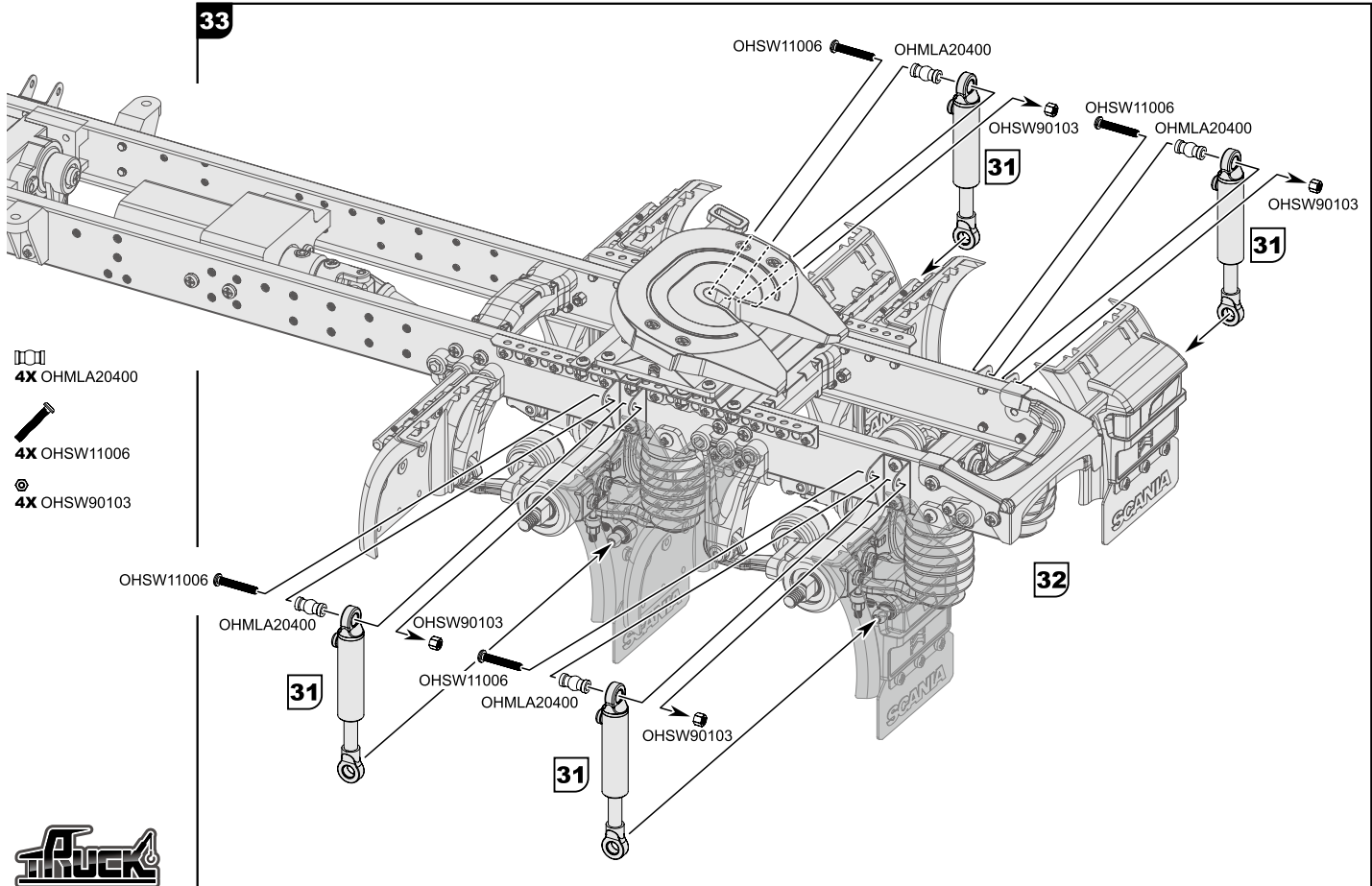
Please use Needle-nose pliers clamp to rod then twist into the shock absorber seat.



4X

-  4X OHSW01203
-  4X OHSW01204
-  4X OHSW11005
-  4X OHSW11203





4X OHMLA20400



4X OHSW11006

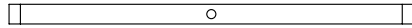


4X OHSW90103

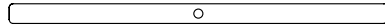
34



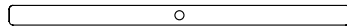
1X OHSGC63111



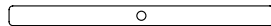
2X OHSGB15529



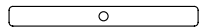
2X OHSGB15500



2X OHSGB15450



2X OHSGB15350



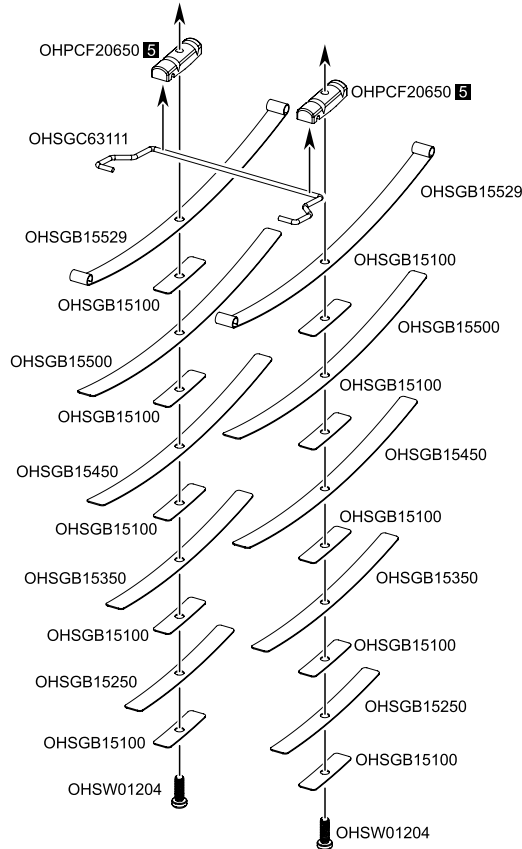
2X OHSGB15250



10X OHSGB15100

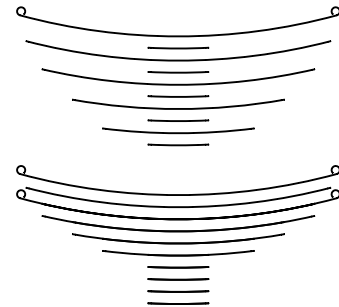


2X OHSW01204

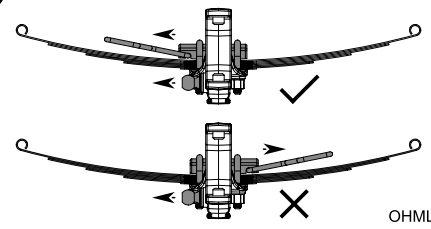


**调整弹簧片顺序可调整悬挂软硬度，
 增加或减少间隔片可调整悬挂高度。**

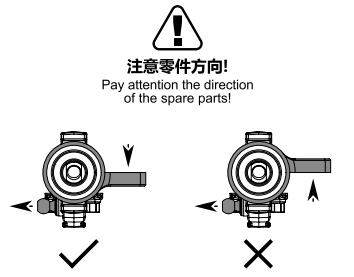
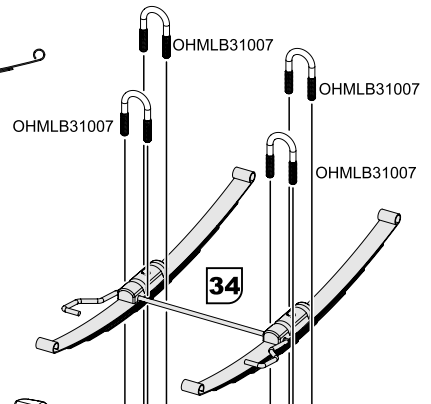
Adjust the spring order to adjust the stiffness of the suspension, increase or decrease the spacer to adjust the height of the suspension.




-  **4X** OHMLB31007
-  **2X** OHMLC20010
-  **4X** OHBG30620
-  **1X** OHMLA2016A
-  **3X** OHMLA20162
-  **1X** OHMLA20164
-  **8X** OHMSW90103



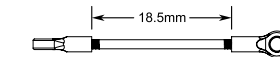
 **注意零件方向!**
Pay attention the direction
of the spare parts!




 **注意零件方向!**
Pay attention the direction
of the spare parts!

36

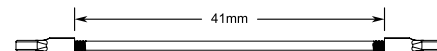
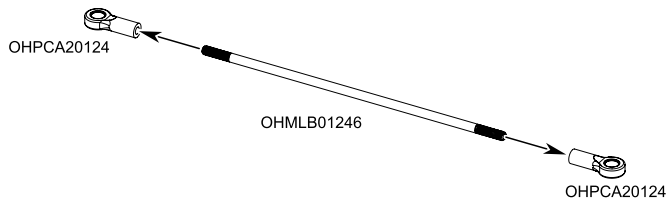
1X OHMLB01225



 装配后请测量平面至平面距离约为18.5mm，两端拉杆头成90度角。
After assembling, please measure the distance between planes should be about 18.5mm, both two rod ends should be 90 degree.

37

1X OHMLB01246



 装配后请测量平面至平面距离约为41mm，两端拉杆头保持平行。
After assembling, please measure the distance between planes should be about 41mm. Both two rod ends should keep parallel.

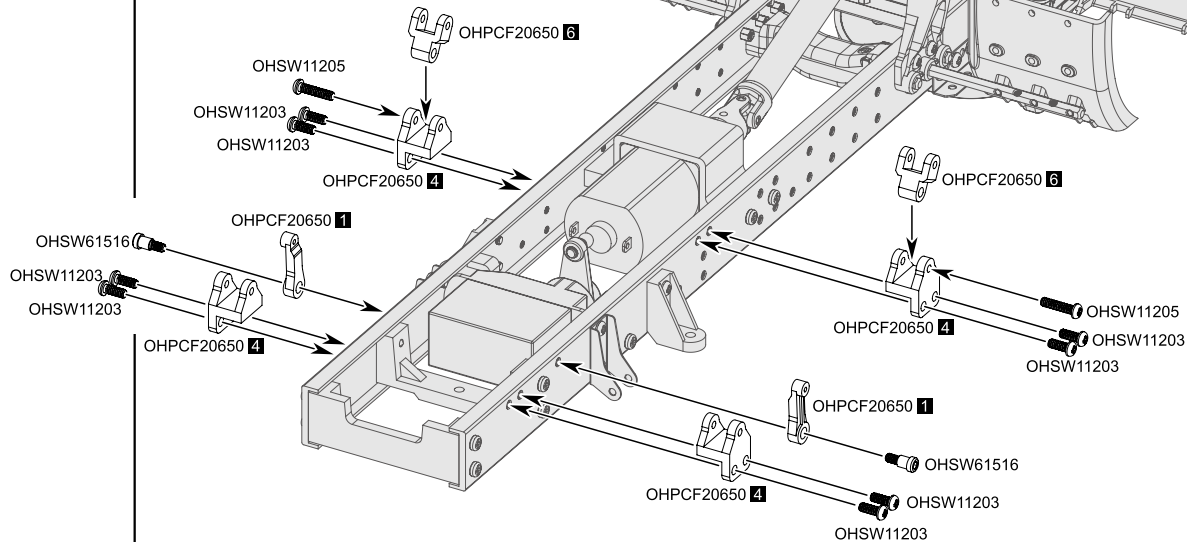
 **2X** OHSW61516

 **8X** OHSW11203

 **2X** OHSW11205

38

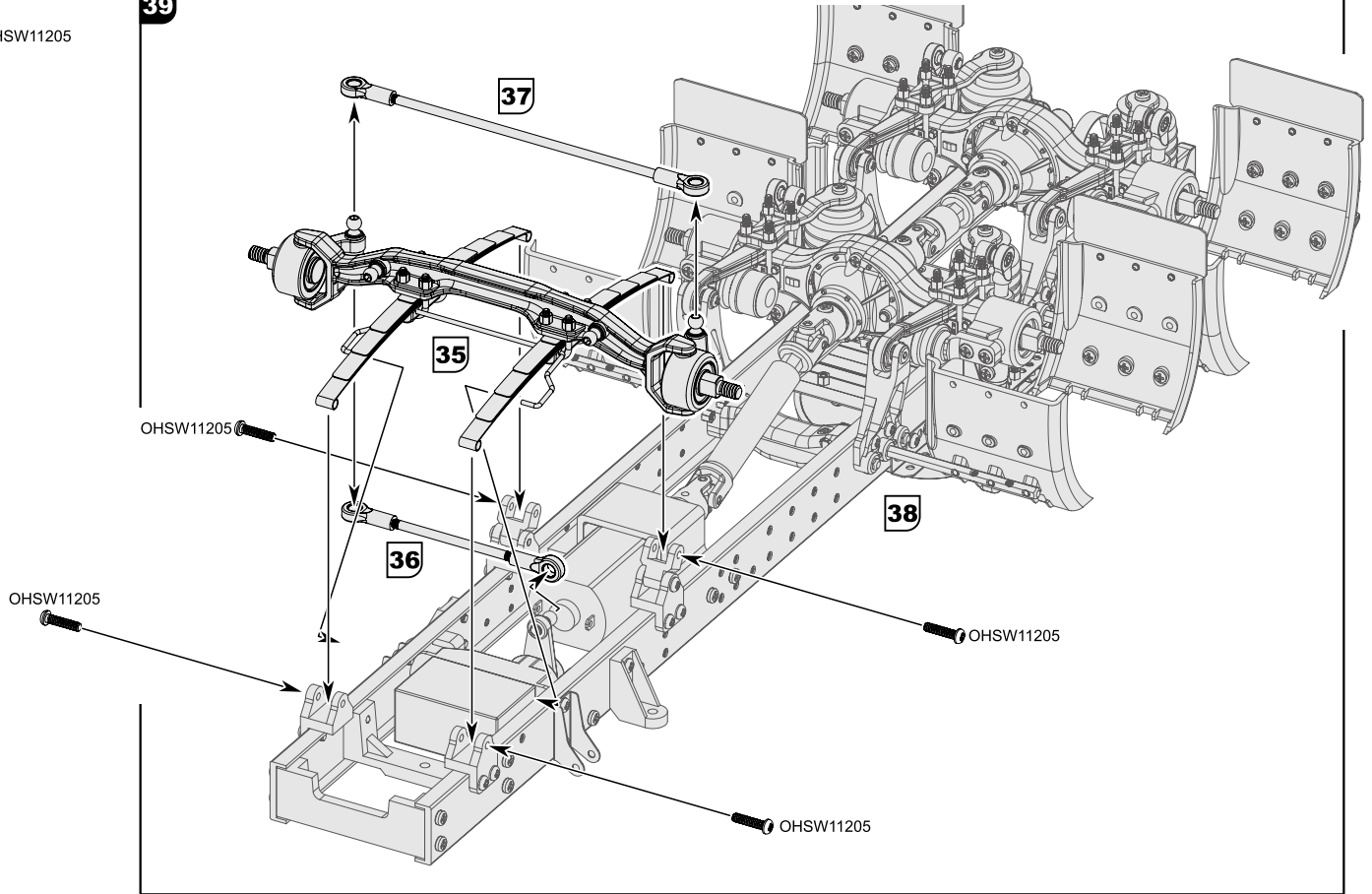
33





4X OHSW11205

39





2X OHMLA20400



2X OHSW11006



4X OHSW11202



2X OHSW90103

40



OHMLF00020 7



请按照图示方向折弯。

Please bend in the direction shown.



请勿反复弯折，
可能会使零件断裂！

Please do not fold repeatedly,
it may cause parts to break!

OHSW90103

OHMLA20400

30

OHSW11006

OHSW11202

OHSW11202

39

OHSW11202

OHSW11202

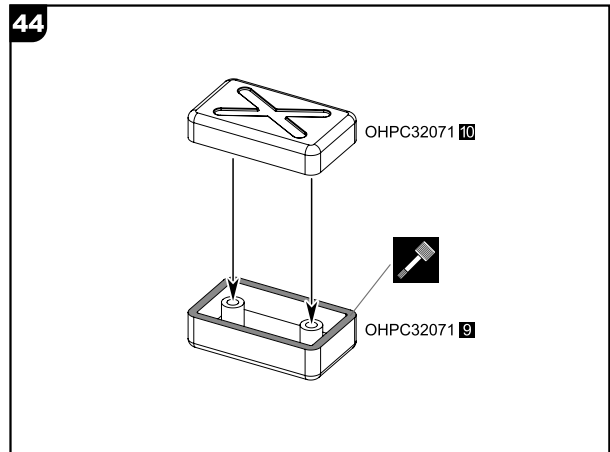
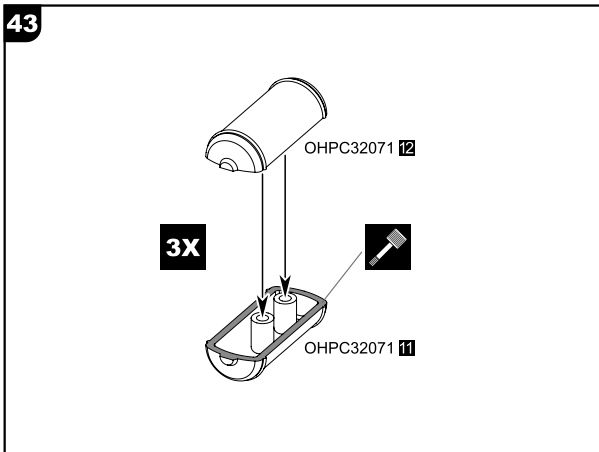
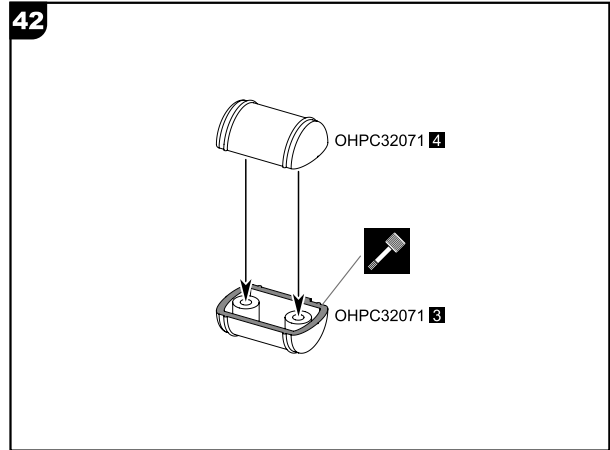
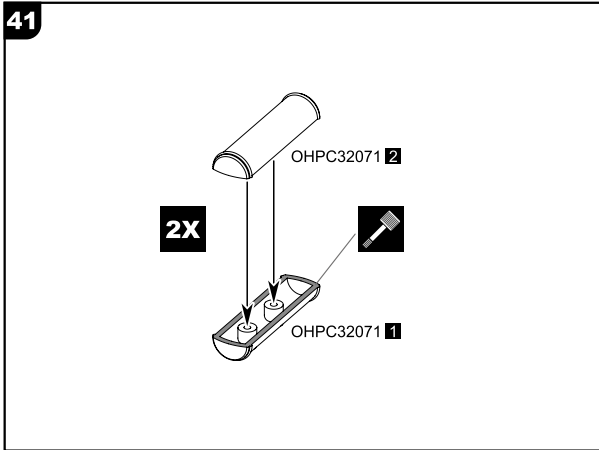
OHSW90103

OHMLA20400

30

OHSW11006

D
打开包裹"D"



4X OHSW01002

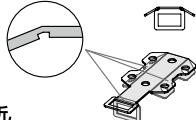
8X OHSW11002

45



请按照图示方向折弯。

Please bend in the direction shown.



OHMLF00023

请勿反复弯折，
可能会使零件断裂！
Please do not fold repeatedly,
it may cause parts to break!

2X

41



本套件内不包含LED灯组！

The kits do not include any LED lamp.



透明黄
Clear Yellow

OHPC32066

OHSW01002
OHSW01002

SMD LED

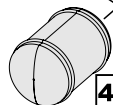
OHSW11002
OHSW11002

OHSW11002
OHSW11002

OHSW11002
OHSW11002

OHSW11002
OHSW11002

40



42

46

OHPCF00023 4



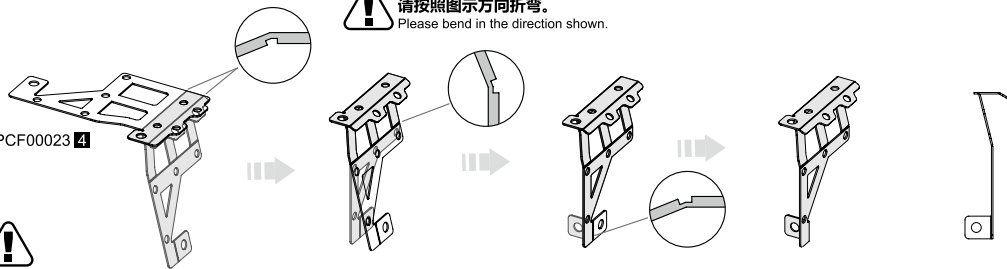
请勿反复弯折，
可能会使零件断裂！

Please do not fold repeatedly,
it may cause parts to break!



请按照图示方向折弯。

Please bend in the direction shown.



47

OHPCF00023 5



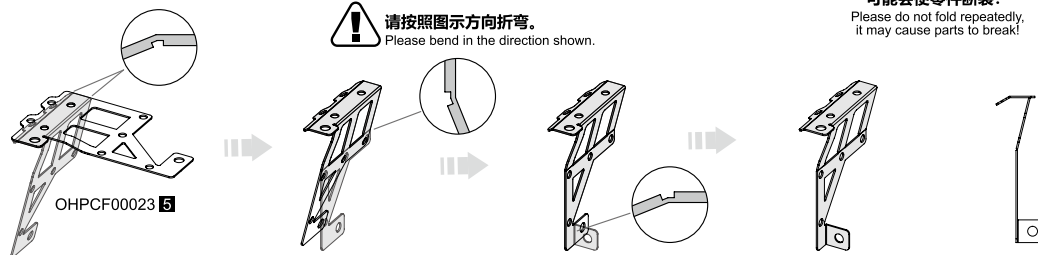
请按照图示方向折弯。

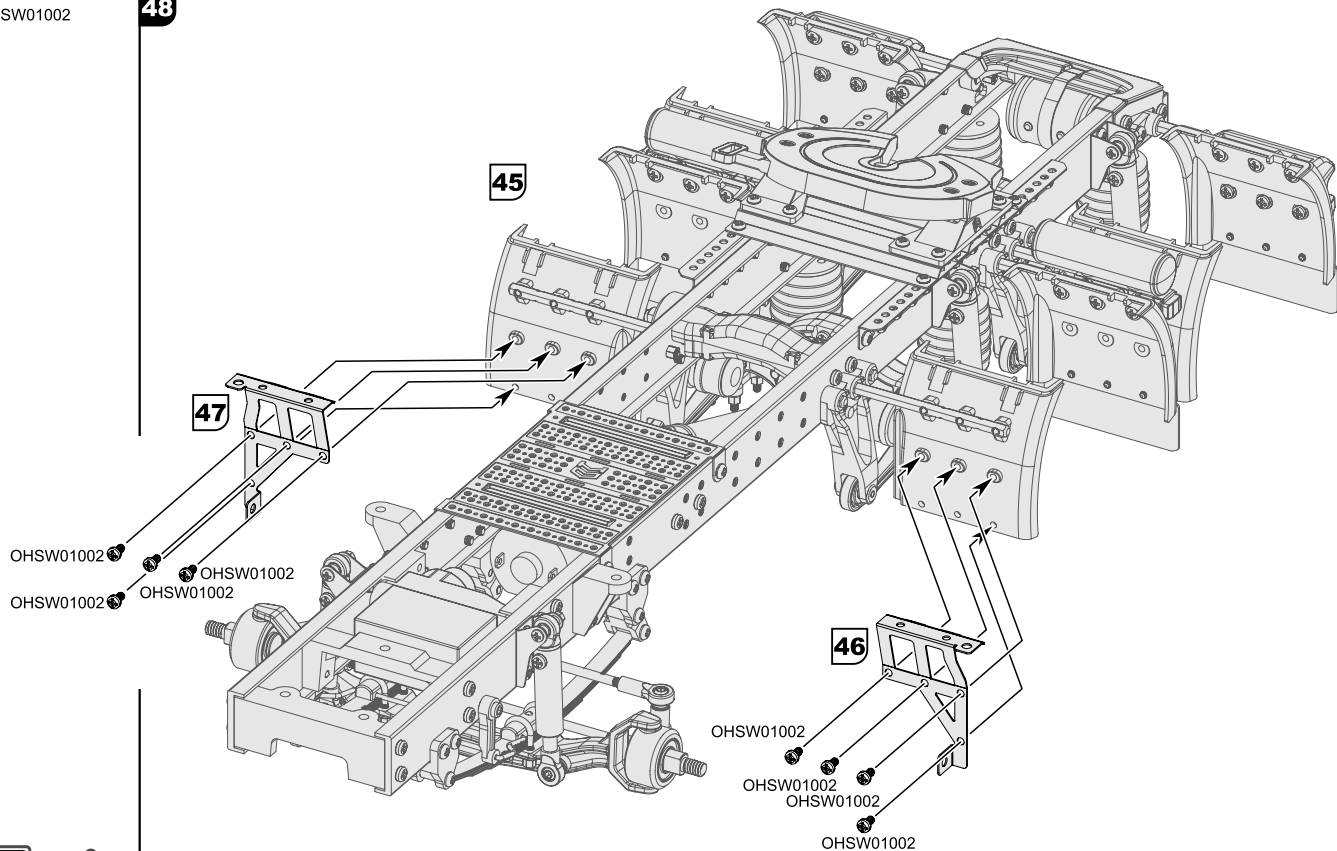
Please bend in the direction shown.



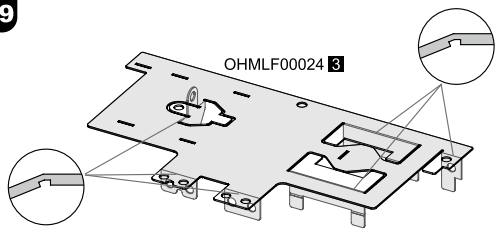
请勿反复弯折，
可能会使零件断裂！

Please do not fold repeatedly,
it may cause parts to break!



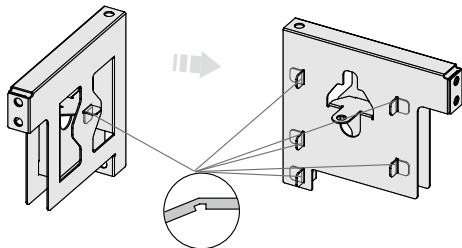


49

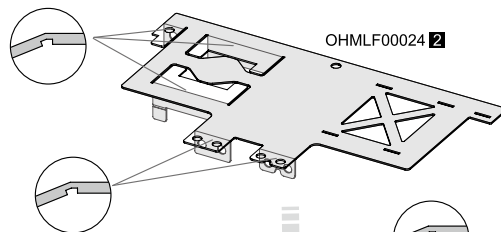


!
 请勿反复弯折，
 可能会使零件断裂！
 Please do not fold repeatedly,
 it may cause parts to break!

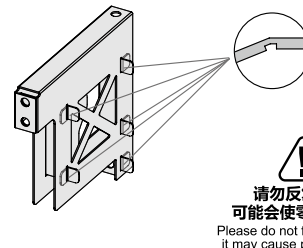
!
 请按照图示方向折弯。
 Please bend in the direction shown.



50

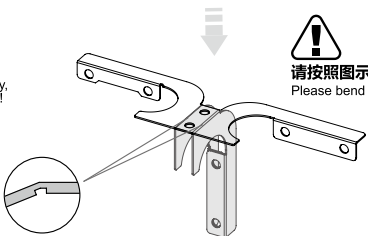
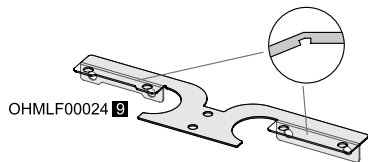


!
 请按照图示方向折弯。
 Please bend in the direction shown.



!
 请勿反复弯折，
 可能会使零件断裂！
 Please do not fold repeatedly,
 it may cause parts to break!

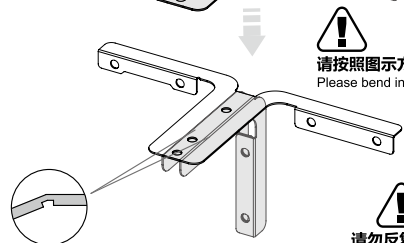
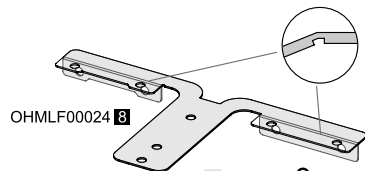
51



!
请勿反复弯折，
可能会使零件断裂！
Please do not fold repeatedly,
it may cause parts to break!

!
请按照图示方向折弯。
Please bend in the direction shown.

52

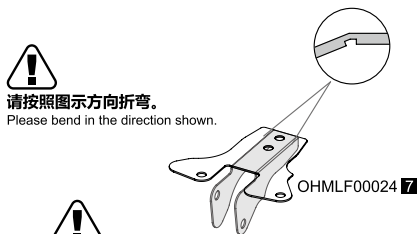


5X

!
请按照图示方向折弯。
Please bend in the direction shown.

!
请勿反复弯折，
可能会使零件断裂！
Please do not fold repeatedly,
it may cause parts to break!

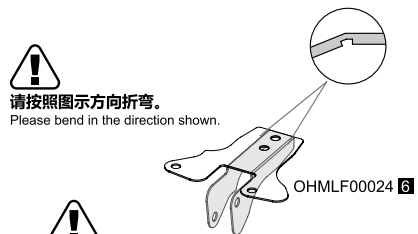
53



!
请按照图示方向折弯。
Please bend in the direction shown.

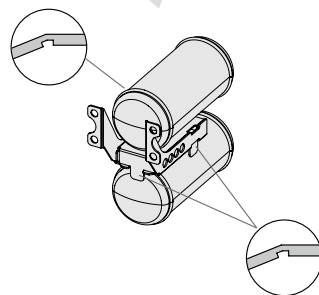
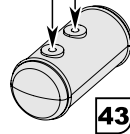
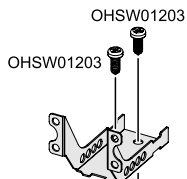
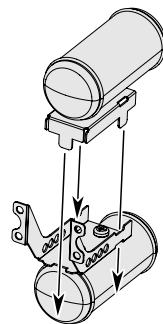
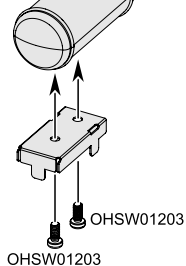
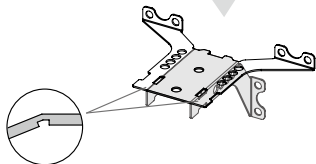
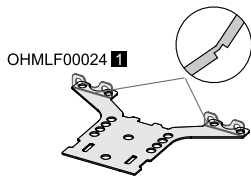
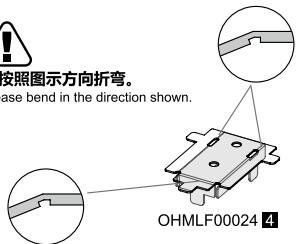
!
请勿反复弯折，
可能会使零件断裂！
Please do not fold repeatedly,
it may cause parts to break!

54

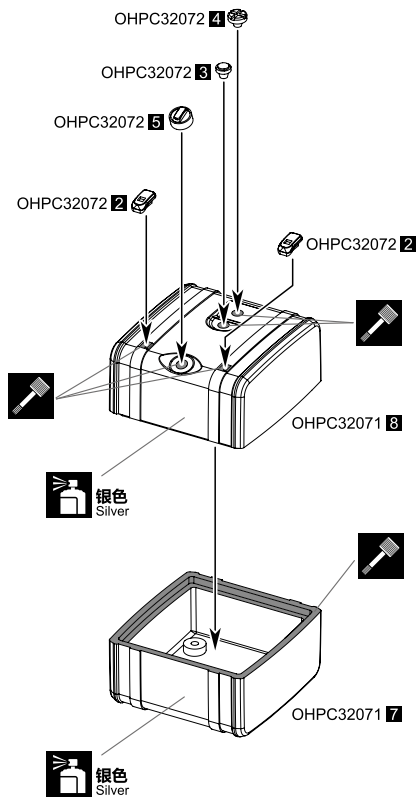


!
请按照图示方向折弯。
Please bend in the direction shown.

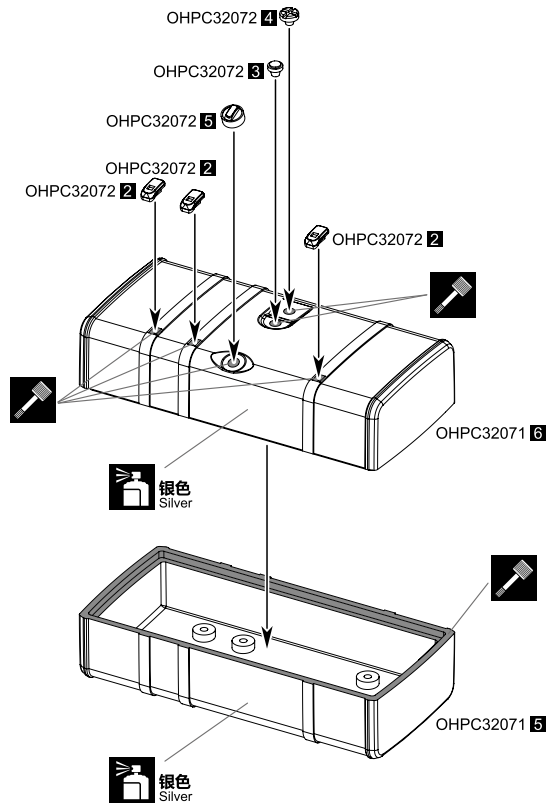
!
请勿反复弯折，
可能会使零件断裂！
Please do not fold repeatedly,
it may cause parts to break!



58

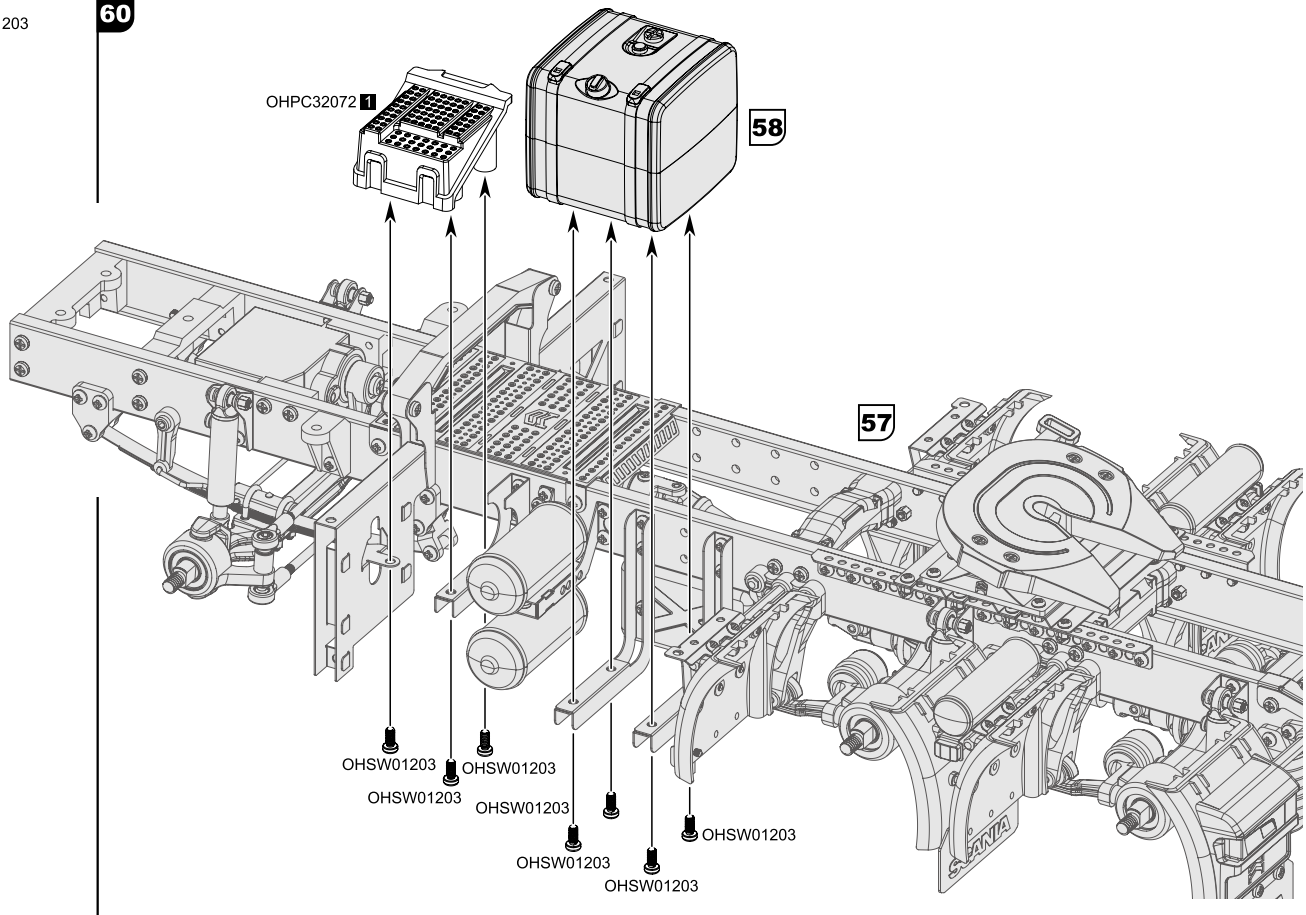


59



7X OHSW01203

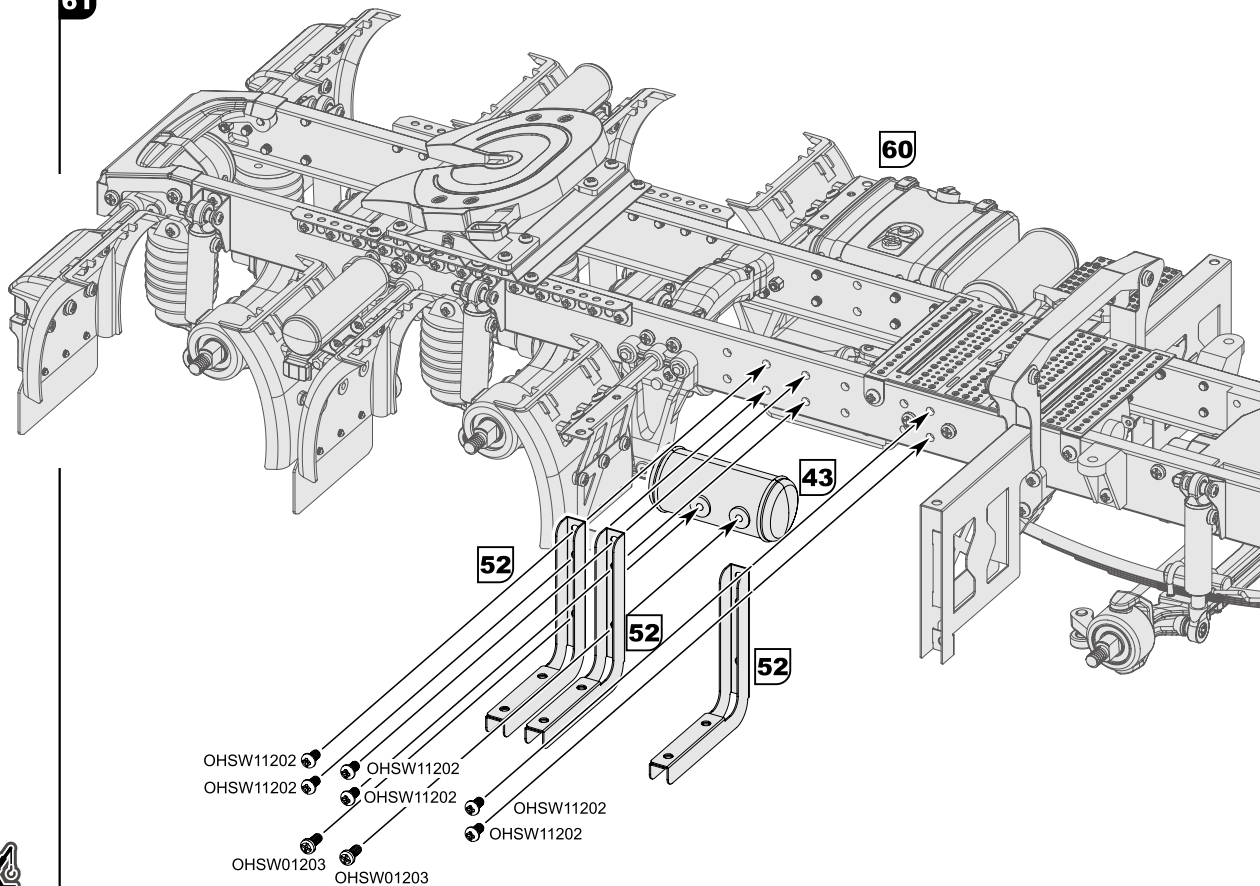
60



 **2X** OHSW01203

 **6X** OHSW11202

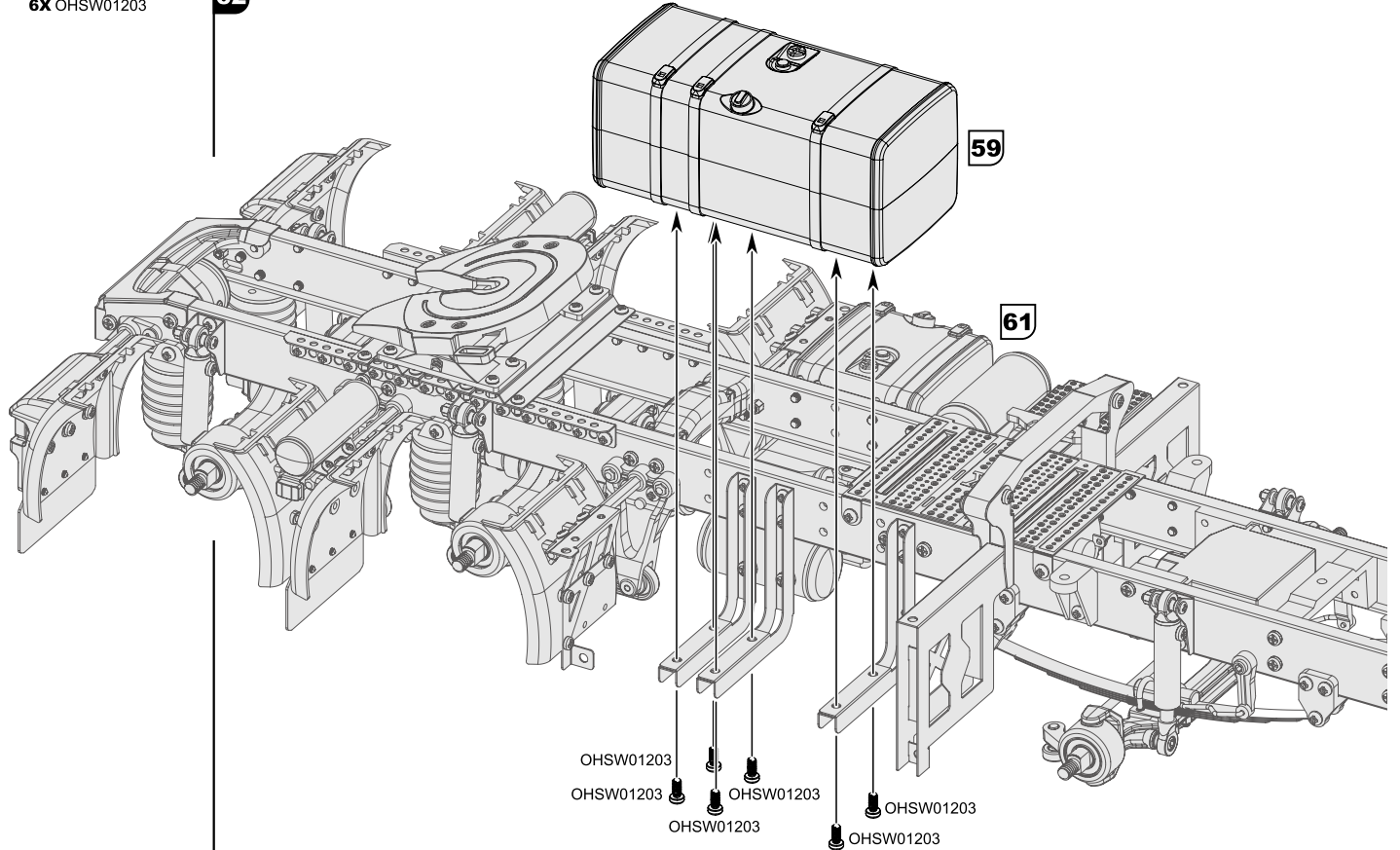
61

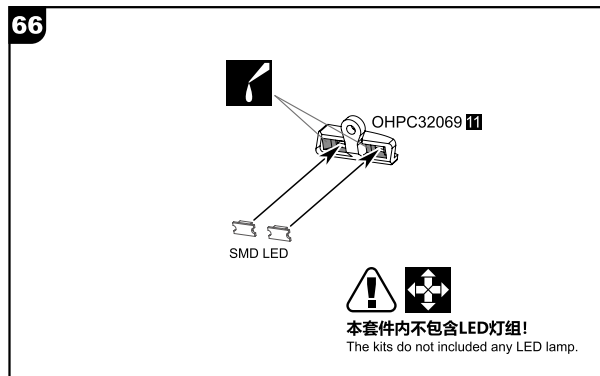
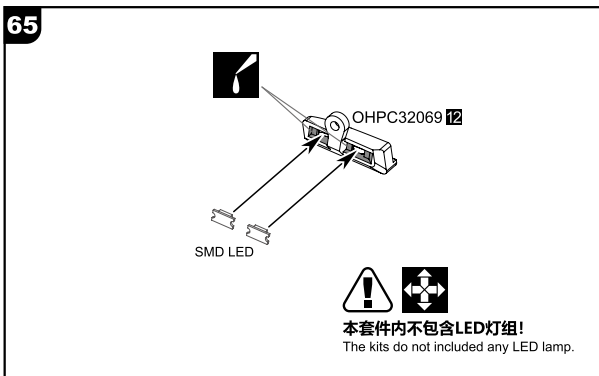
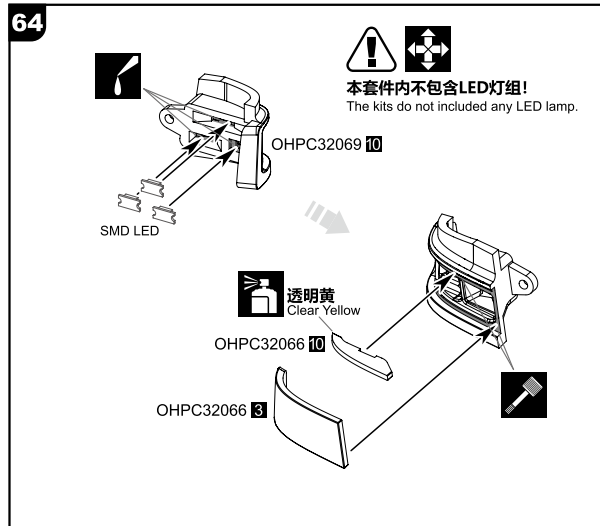
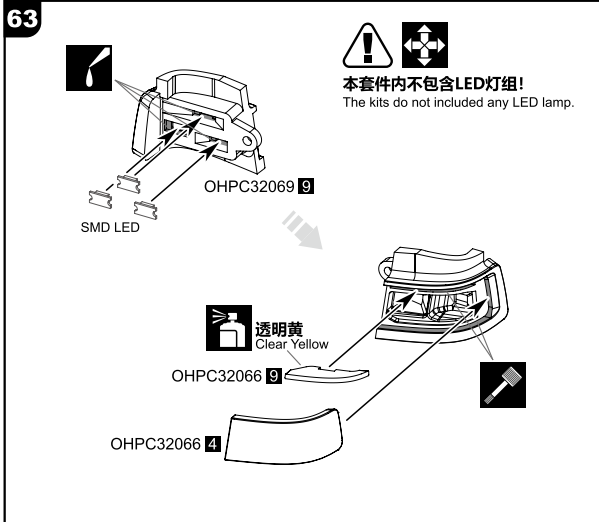


- OHSW11202
- OHSW11202
- OHSW11202
- OHSW11202
- OHSW11202
- OHSW11202
- OHSW01203
- OHSW01203
- OHSW11202
- OHSW11202
- OHSW11202

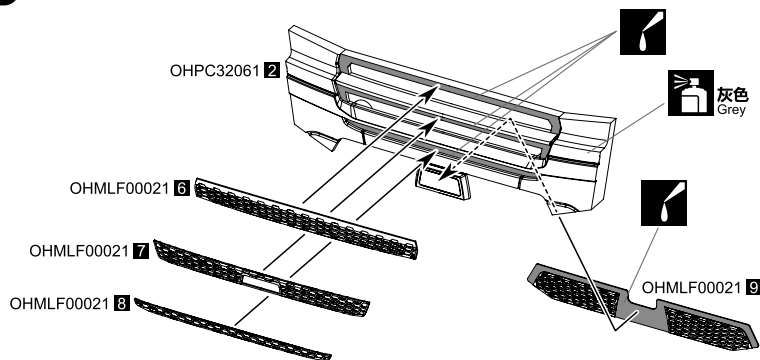
6X OHSW01203

62





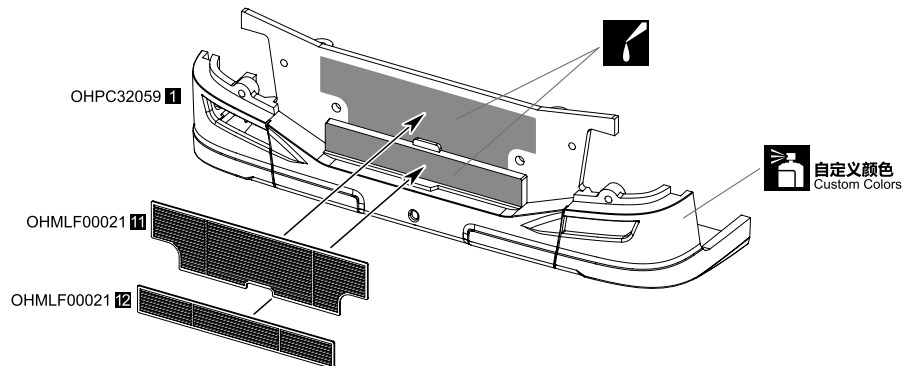
67

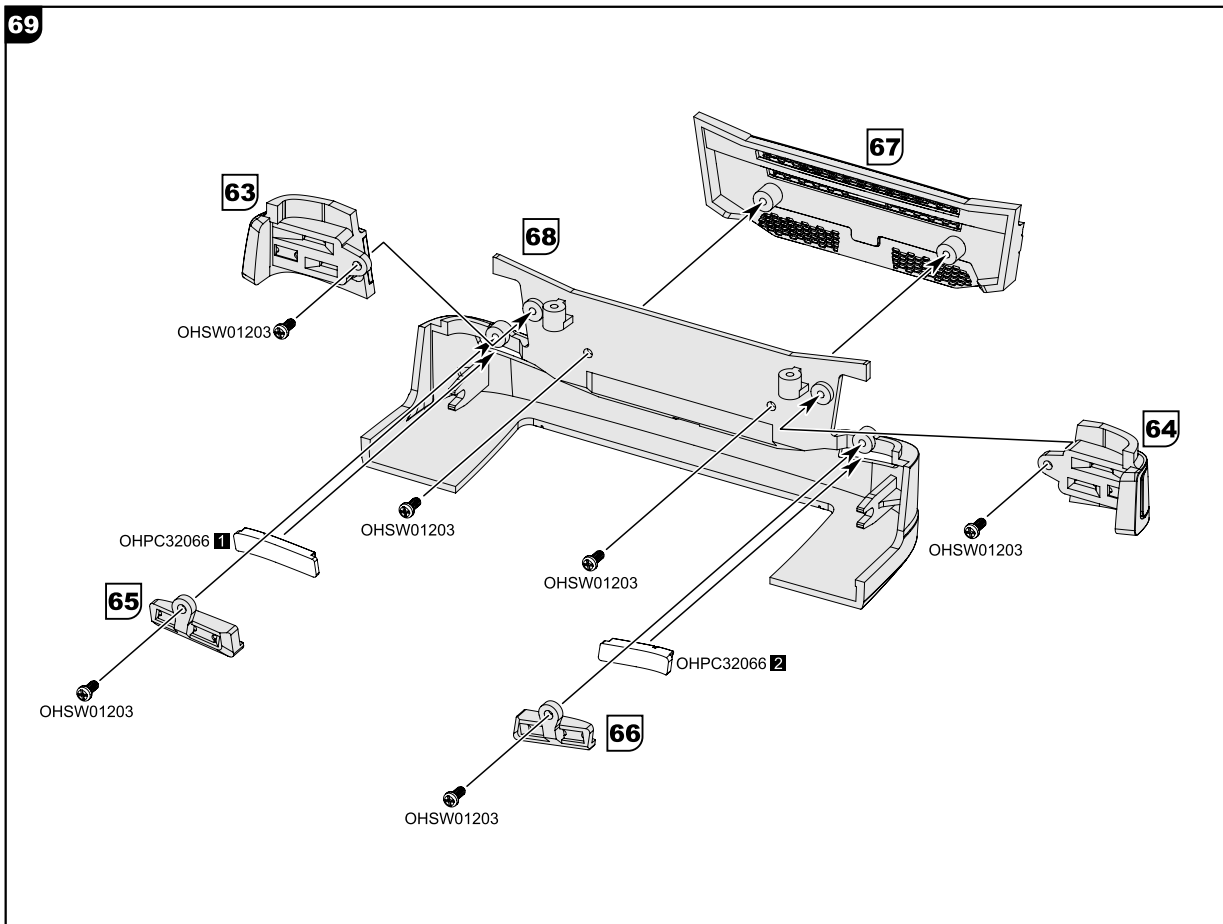


在车壳喷漆前，检查表面若发现有瑕疵，请用砂纸打磨后，再使用补土修补凹痕，然后进行细打磨。喷漆时注意每次喷薄一点，多喷几次，质感更好。喷漆后表面再用研磨膏打磨，效果更佳。喷漆时请戴好口罩、护目镜在室外通风处进行！

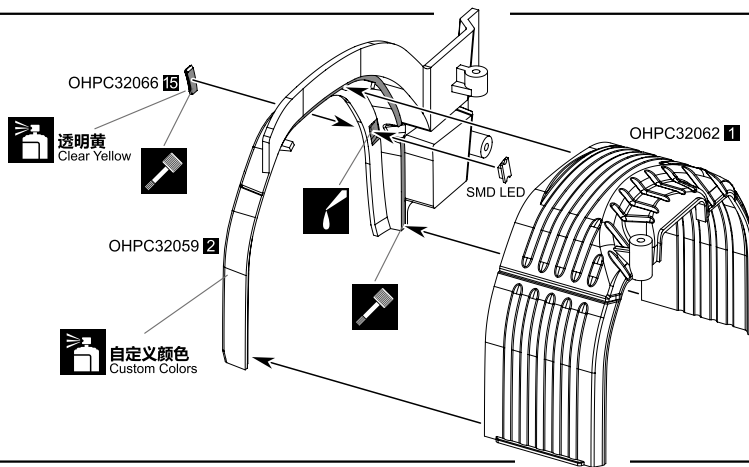
Before painting the car shell, check whether the shell surface have any defect, once found defect, please use the sandpaper make the surface smooth, then use fill soil to cover the dent. When spray the shell please each time spray little, try to spray more times, it will show better Textured. After spray the shell, then use the polishing paste to polishing, will get better effective. When spray the shell, please wear masks and goggle first and work at the outdoor ventilation place!

68



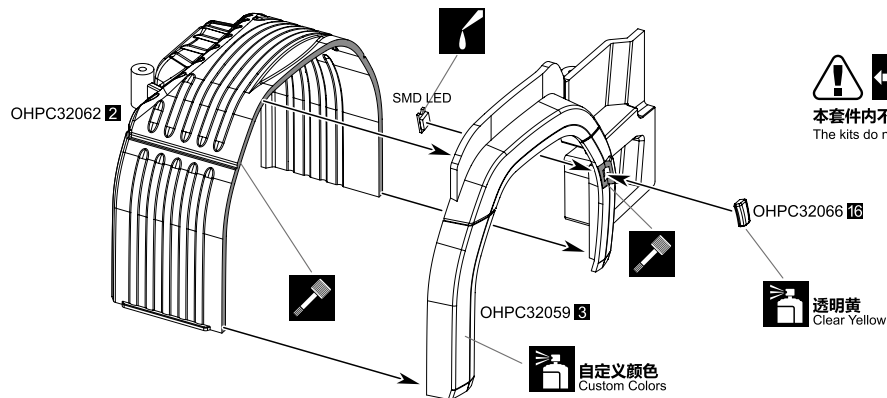


70

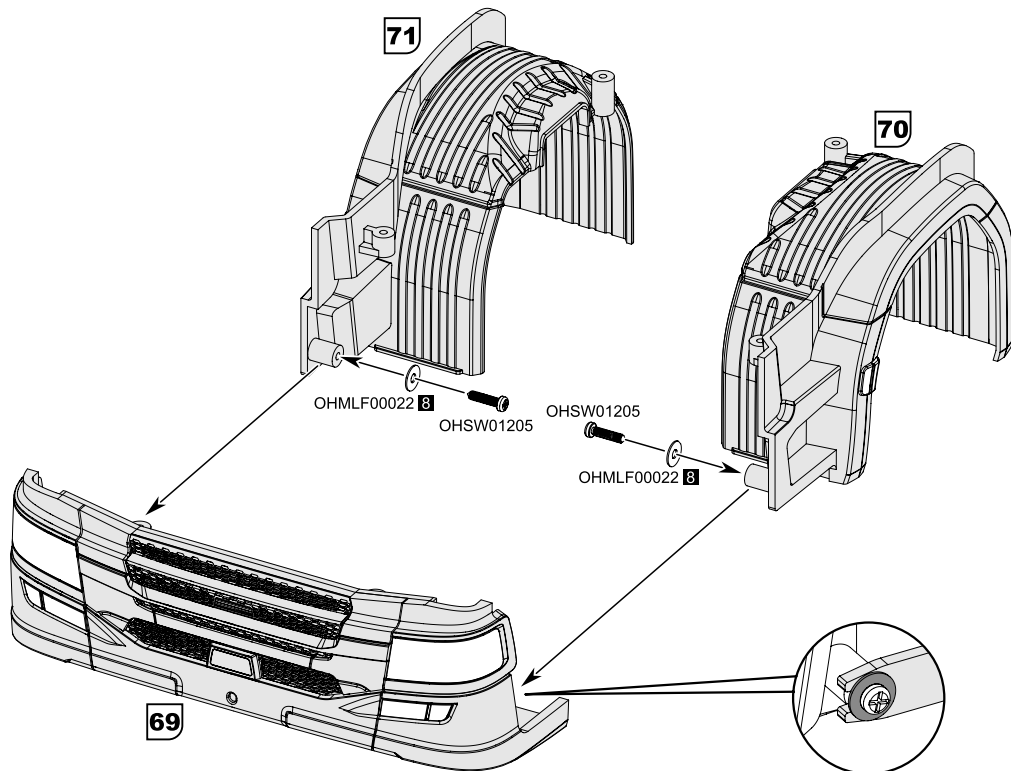


本套件内不包含LED灯组!
 The kits do not included any LED lamp.


71



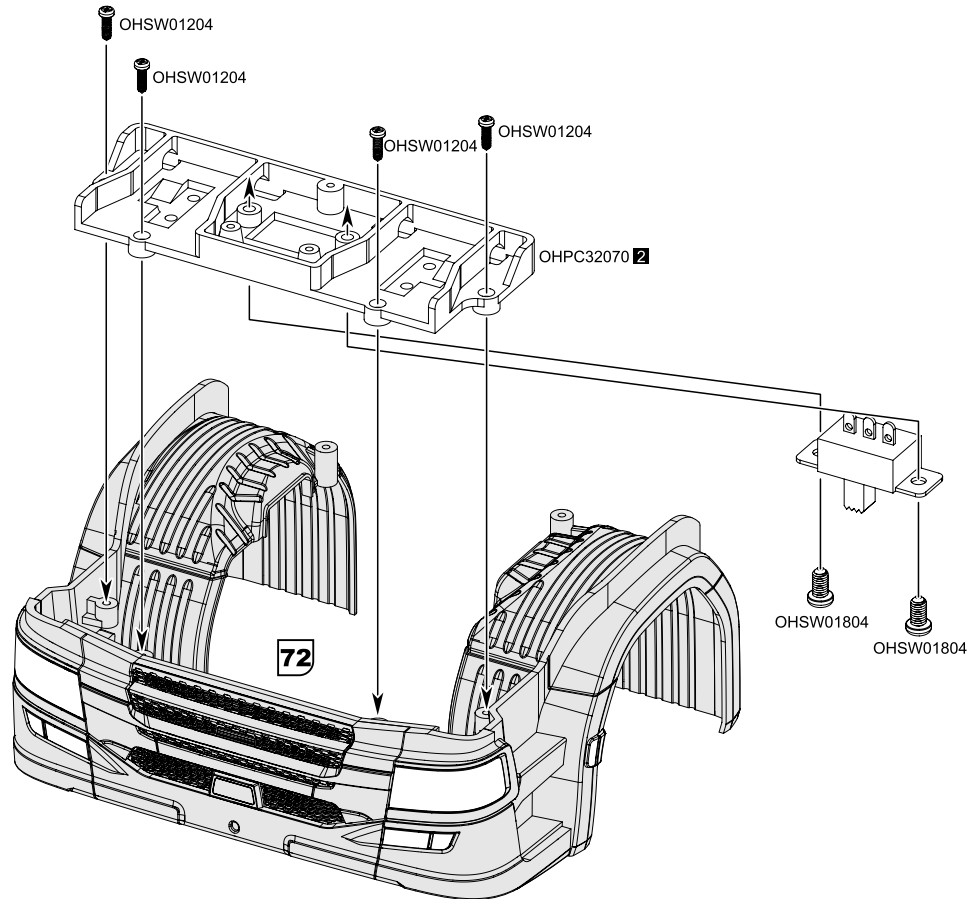
本套件内不包含LED灯组!
 The kits do not included any LED lamp.



 4X OHSW01204

 2X OHSW01804

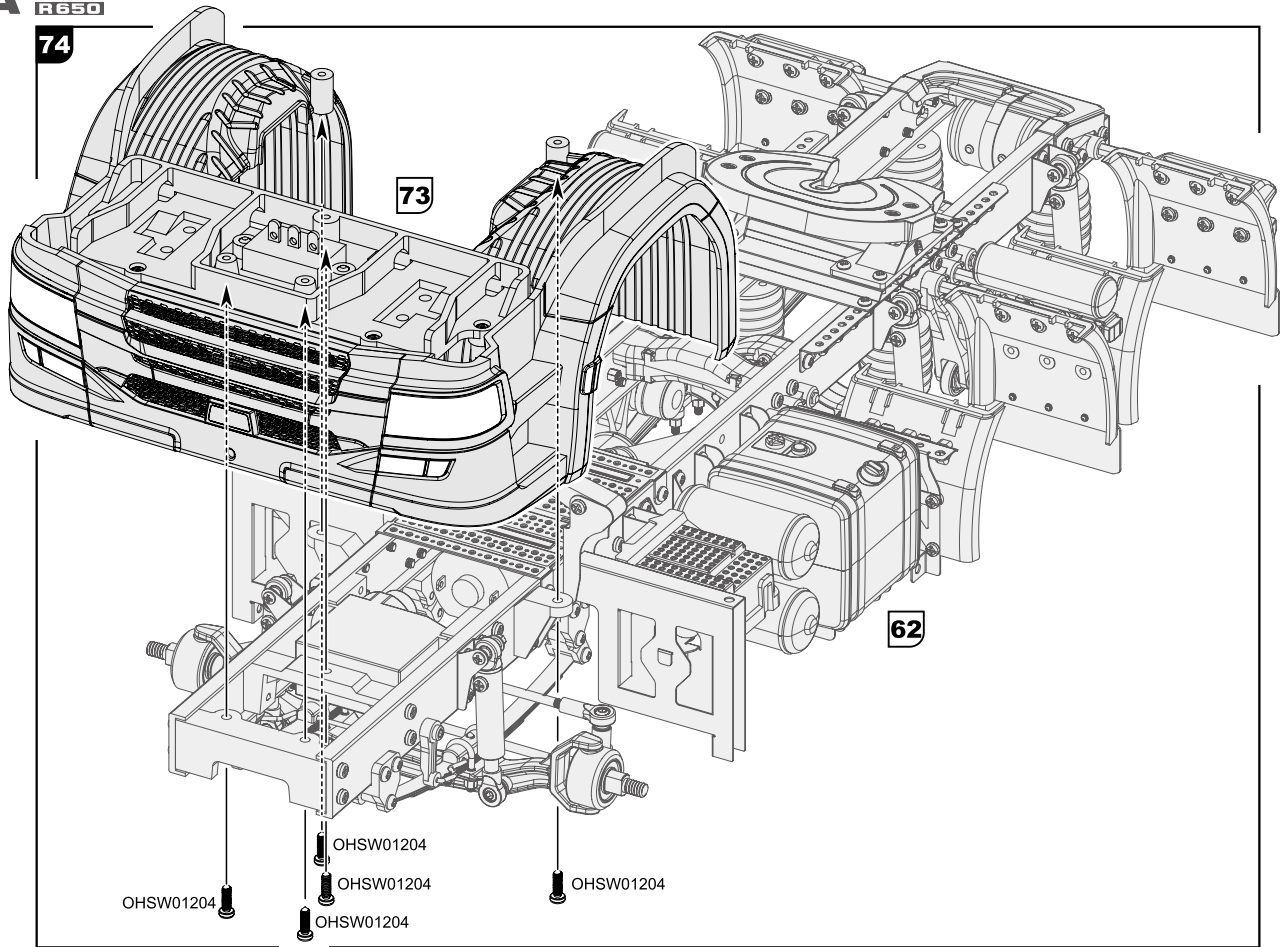
73



74

73

62



OHSW01204

OHSW01204

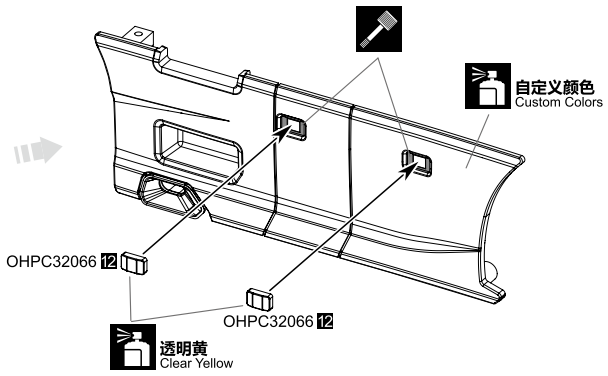
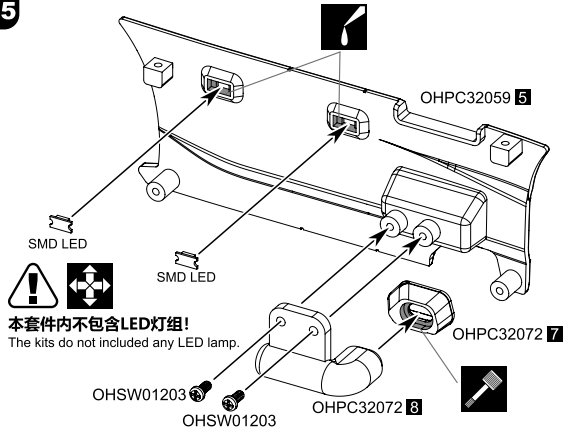
OHSW01204

OHSW01204

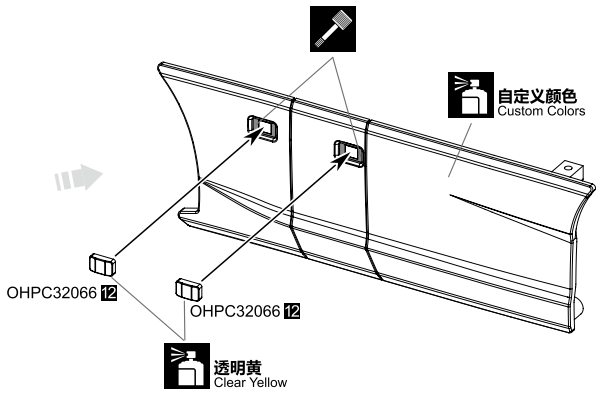
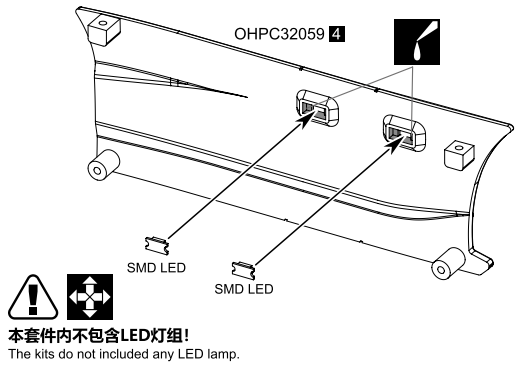
OHSW01204

2X OHSW01203

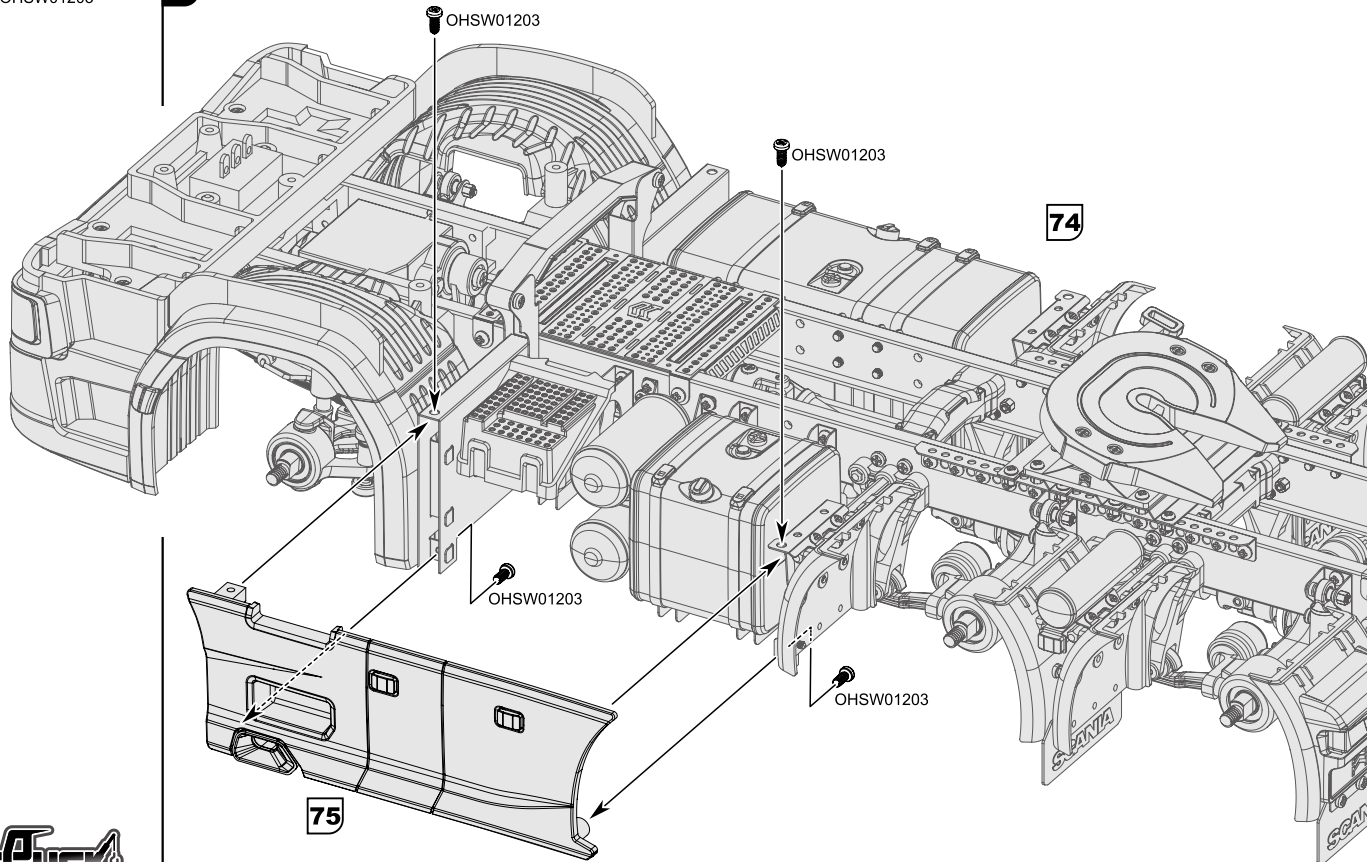
75




76

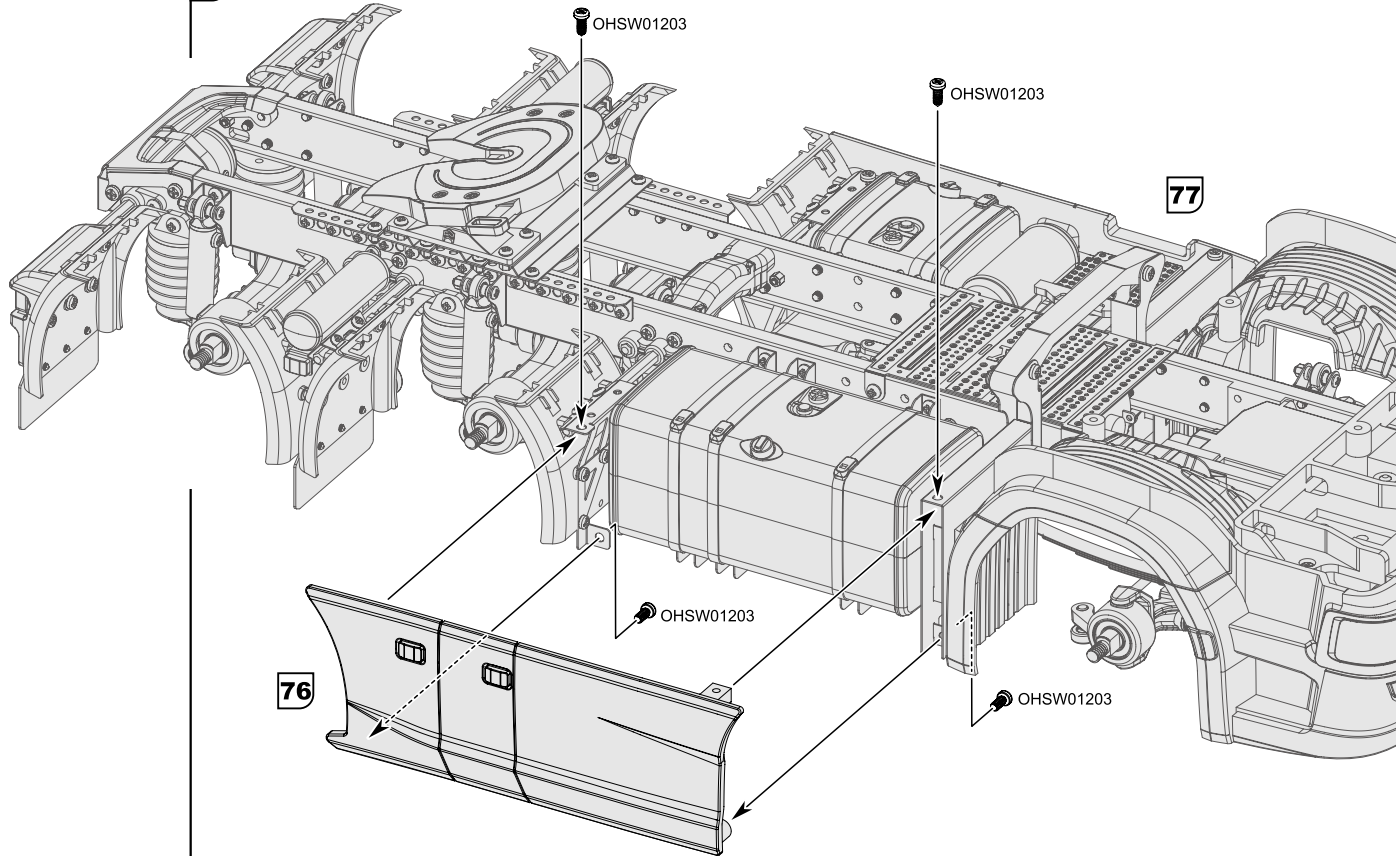


77



 4x OHSW01203

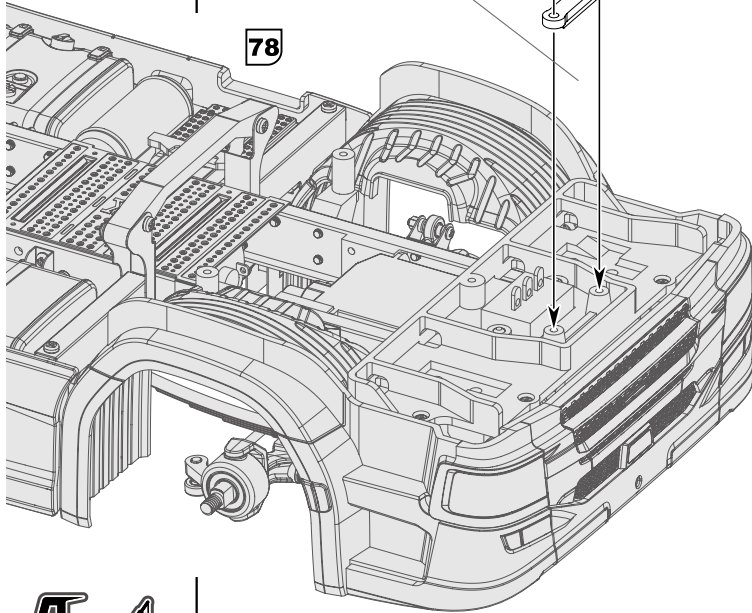
78



2X OHSW01204

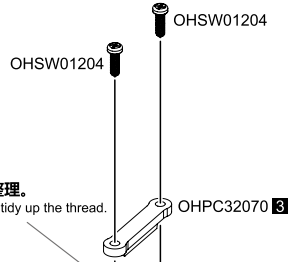
16X OHSW01002

79



78

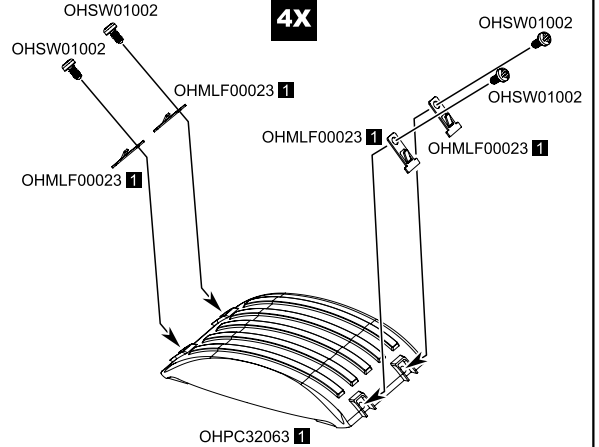
线束整理。
Please tidy up the thread.

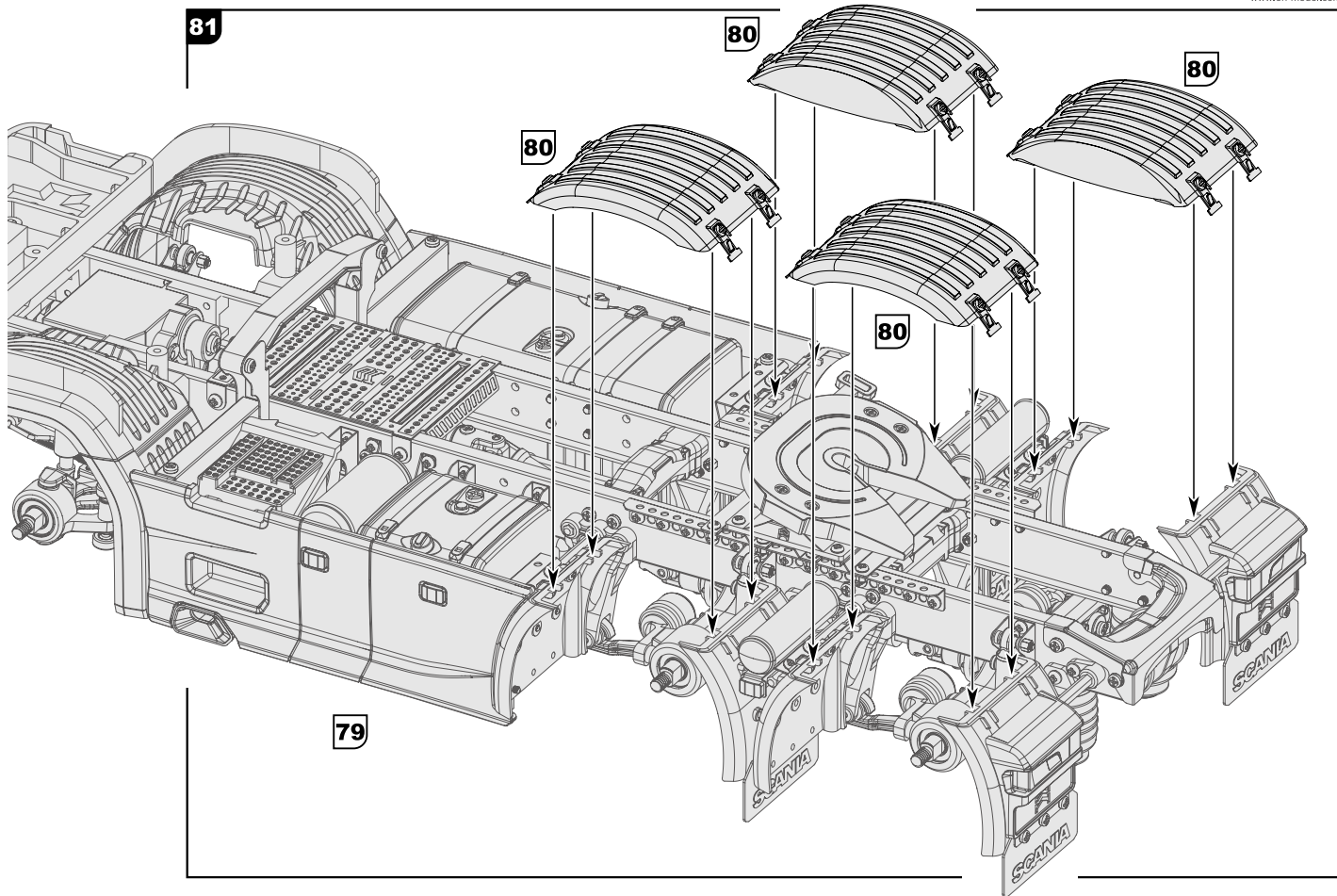


80

**请勿反复弯折，
可能会使零件断裂！**
Please do not fold repeatedly,
it may cause parts to break!

请按照图示方向折弯。
Please bend in the direction shown.







1X OHSGB32516

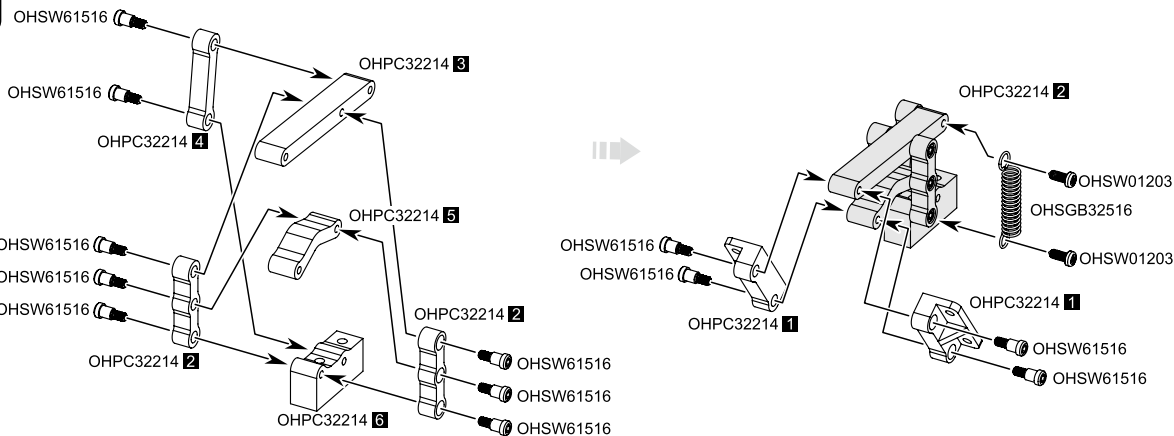


12X OHSW61516



2X OHSW01203

82



1X OHSGB32516

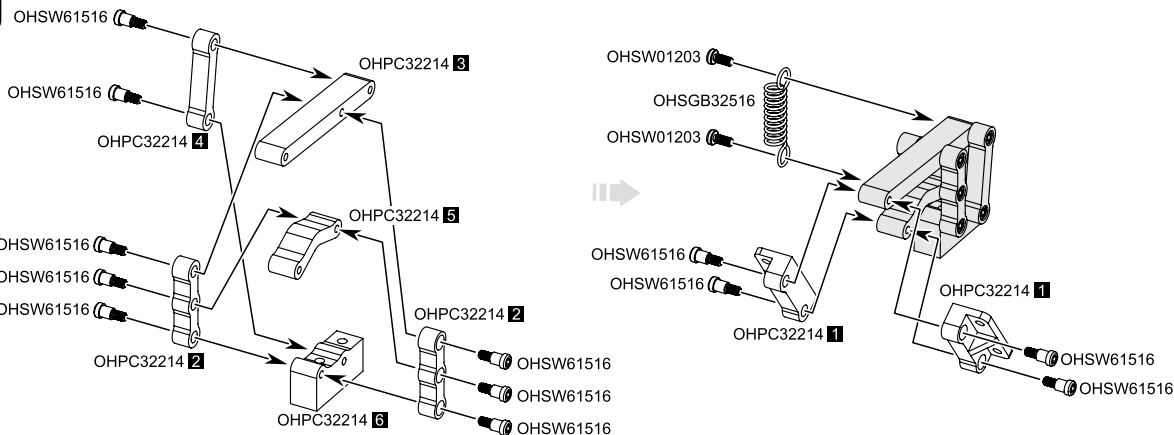


12X OHSW61516



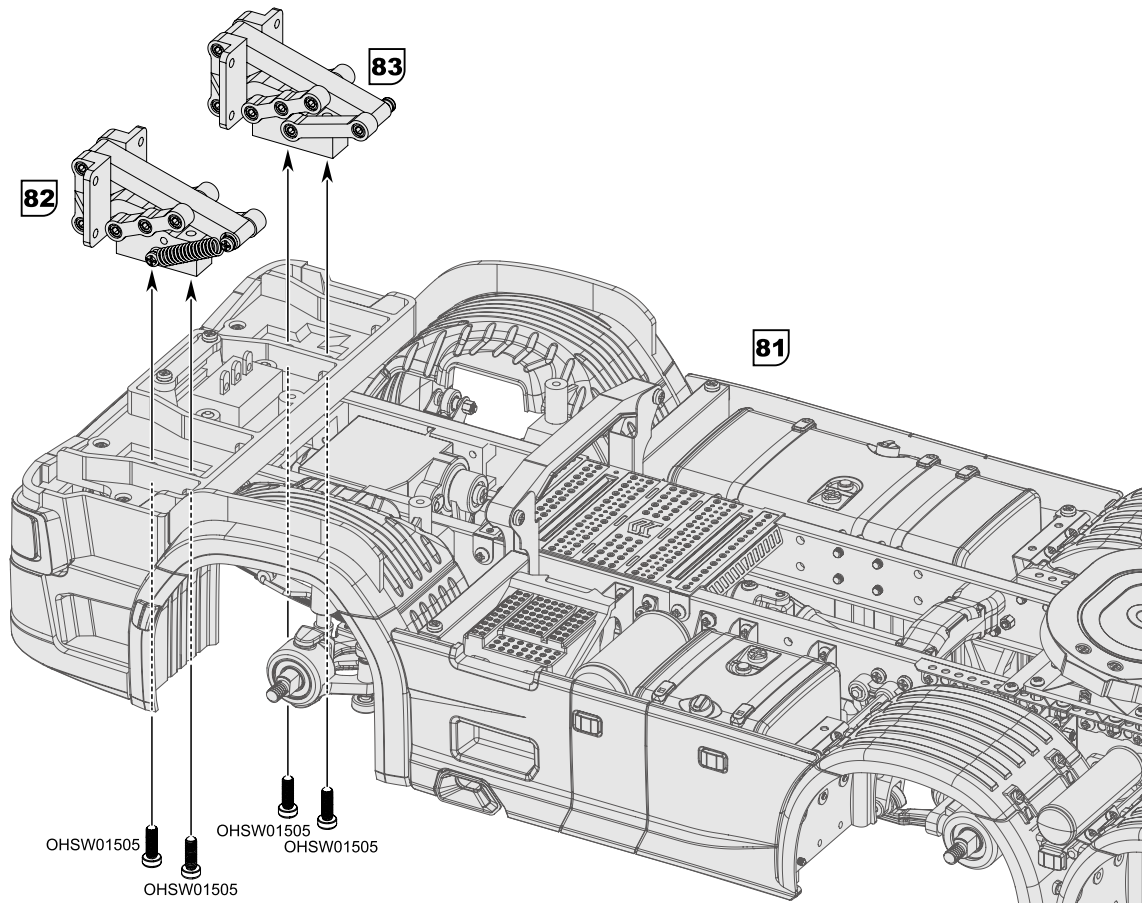
2X OHSW01203

83



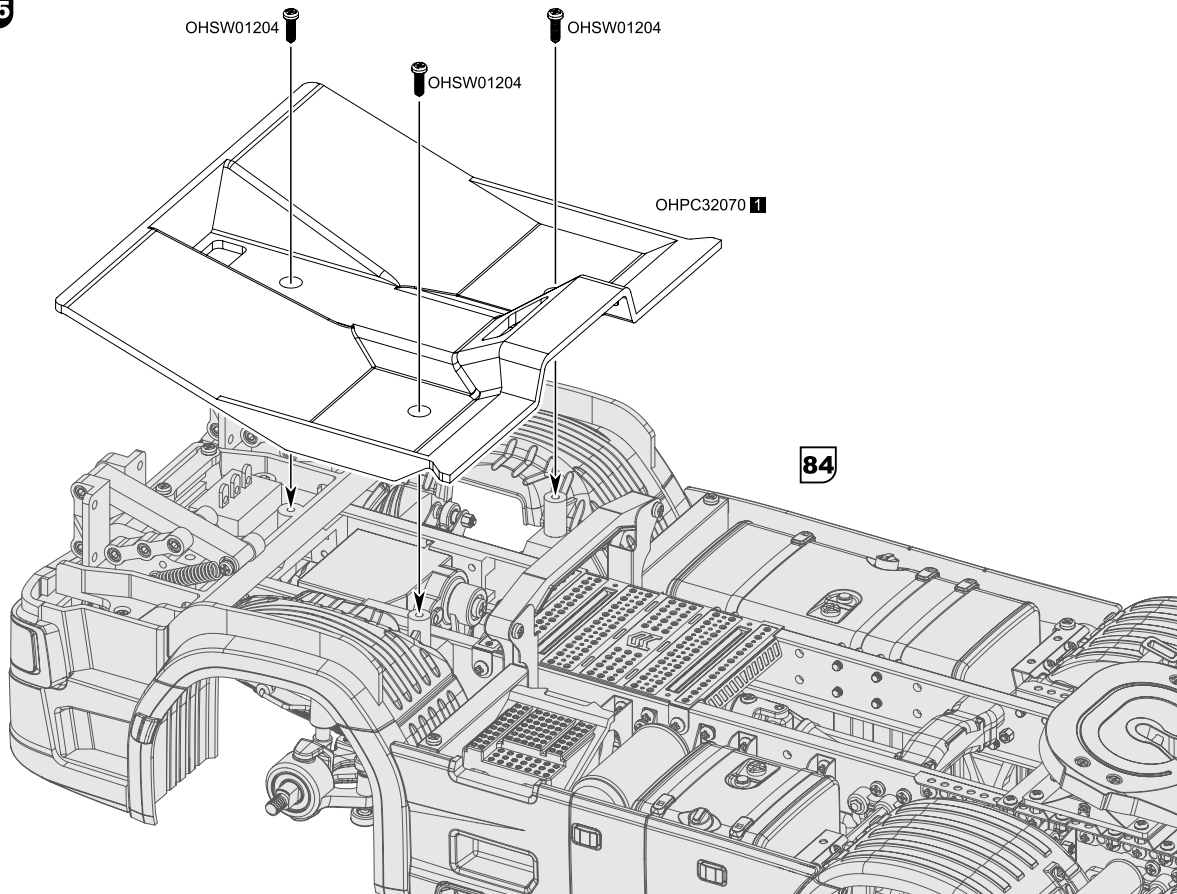

4X OHSW01505

84



3x OHSW01204

85



F
 打开包裹“F”

G
 打开包裹“G”

86

2X

OHMLF00022 **11**

!
 请按照图示方向折弯。
 Please bend in the direction shown.

!
 请勿反复弯折，
 可能会使零件断裂！
 Please do not fold repeatedly,
 it may cause parts to break!

87

2X

OHMLF00022 **7**

!
 请按照图示方向折弯。
 Please bend in the direction shown.

!
 请勿反复弯折，
 可能会使零件断裂！
 Please do not fold repeatedly,
 it may cause parts to break!

88

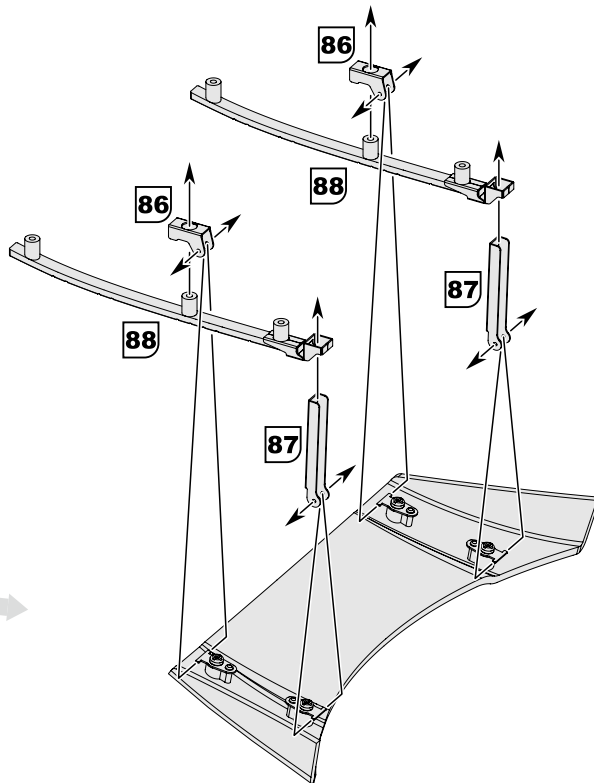
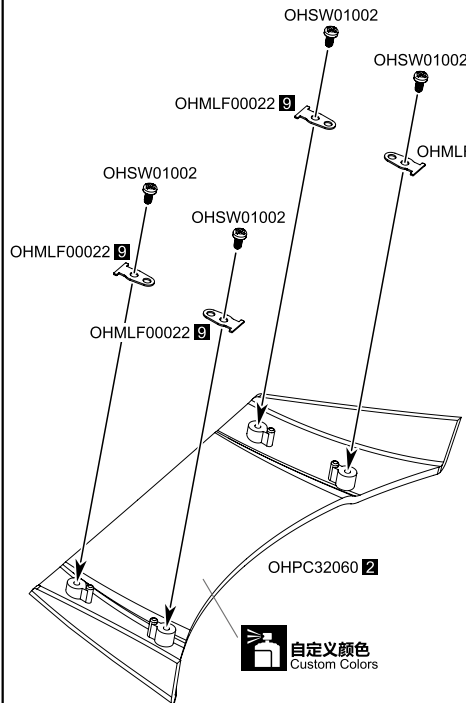
OHMLF00022 **10**

2X

OHPC32068 **11**

!
 请勿反复弯折，
 可能会使零件断裂！
 Please do not fold repeatedly,
 it may cause parts to break!

!
 请按照图示方向折弯。
 Please bend in the direction shown.



6X OHSW01003

2X OHSW01203

90

自定义颜色
Custom Colors

OHPC32060 1

OHPC32057

89

自定义颜色
Custom Colors

OHSW01203

OHPC32065 4

OHSW01003

OHSW01003

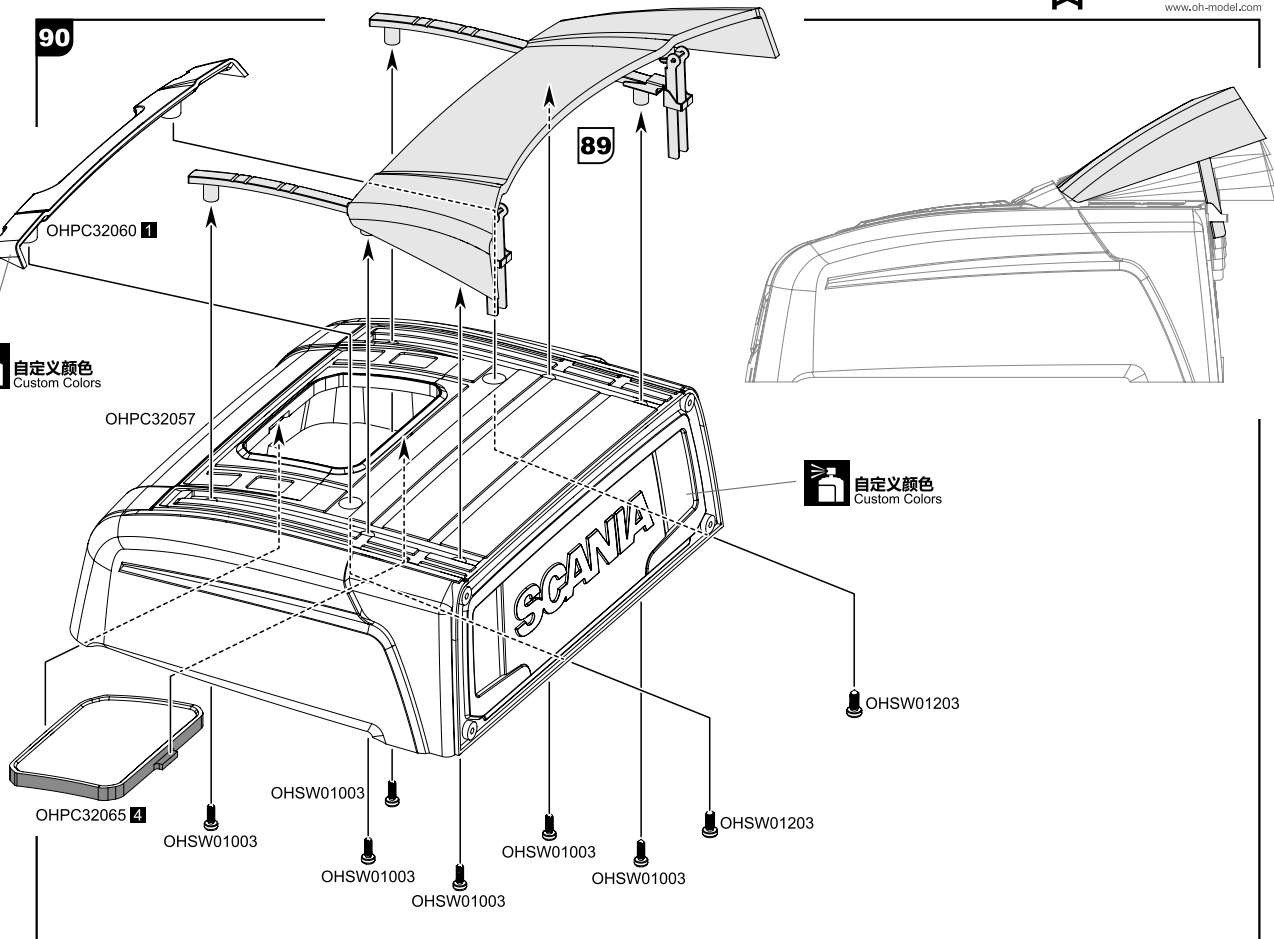
OHSW01003

OHSW01003

OHSW01003

OHSW01003

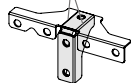
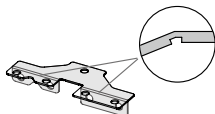
OHSW01203



91



OHMLF00022 **6**

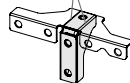
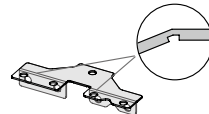


!
请勿反复弯折，
可能会使零件断裂！
Please do not fold repeatedly,
it may cause parts to break!

92



OHMLF00022 **5**

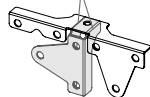
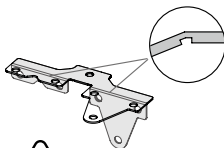


!
请勿反复弯折，
可能会使零件断裂！
Please do not fold repeatedly,
it may cause parts to break!

93



OHMLF00022 **4**

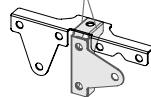
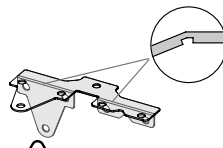


!
请勿反复弯折，
可能会使零件断裂！
Please do not fold repeatedly,
it may cause parts to break!

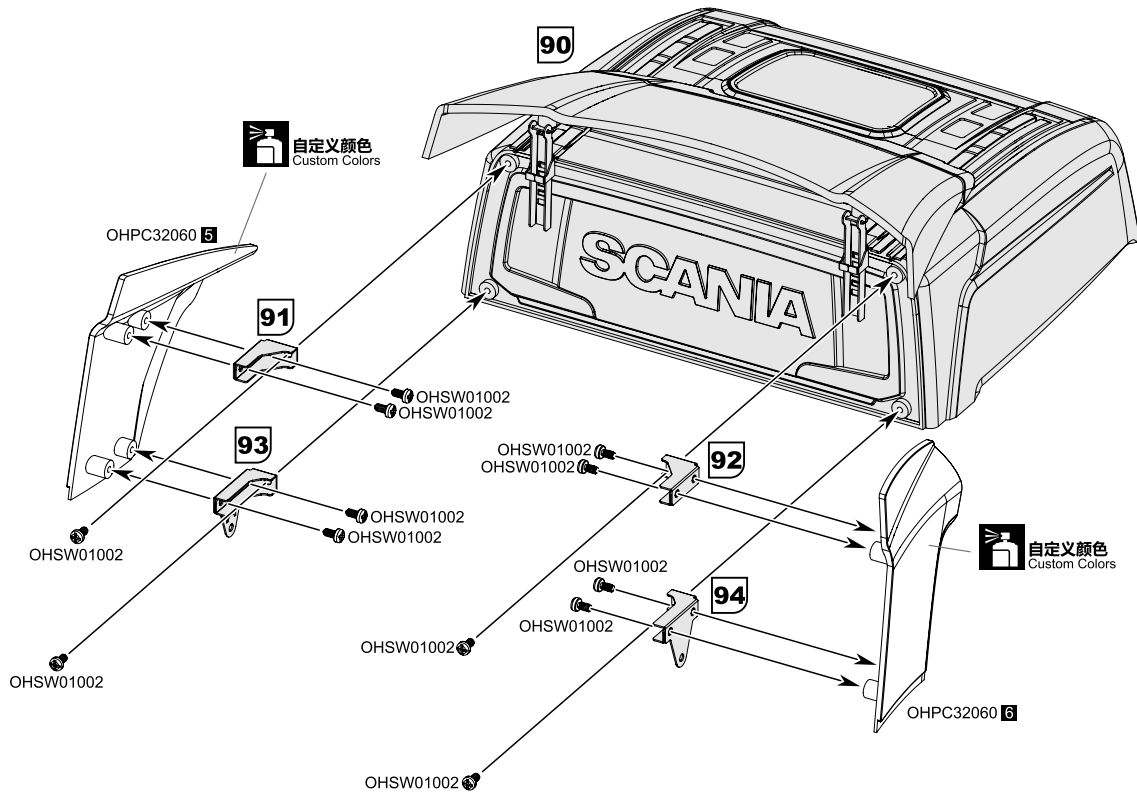
94

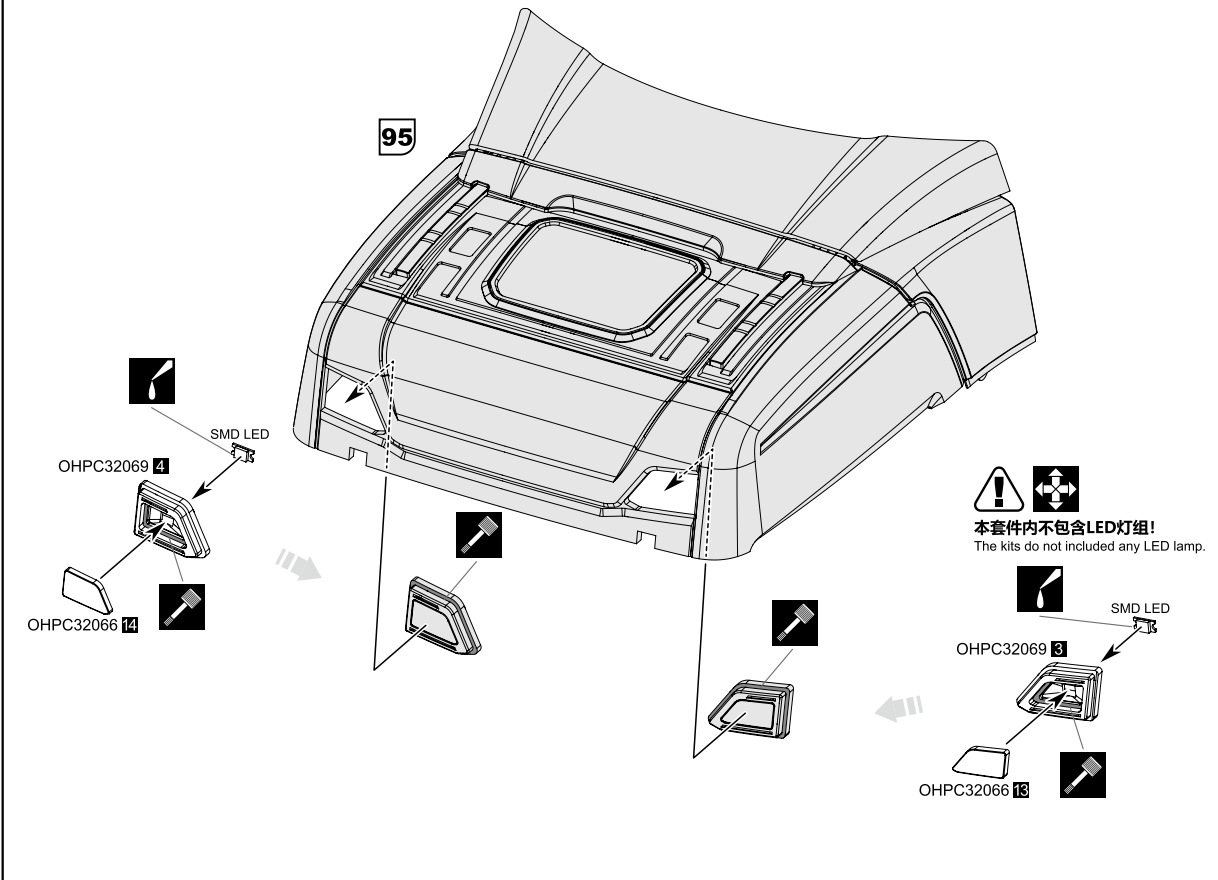


OHMLF00022 **3**

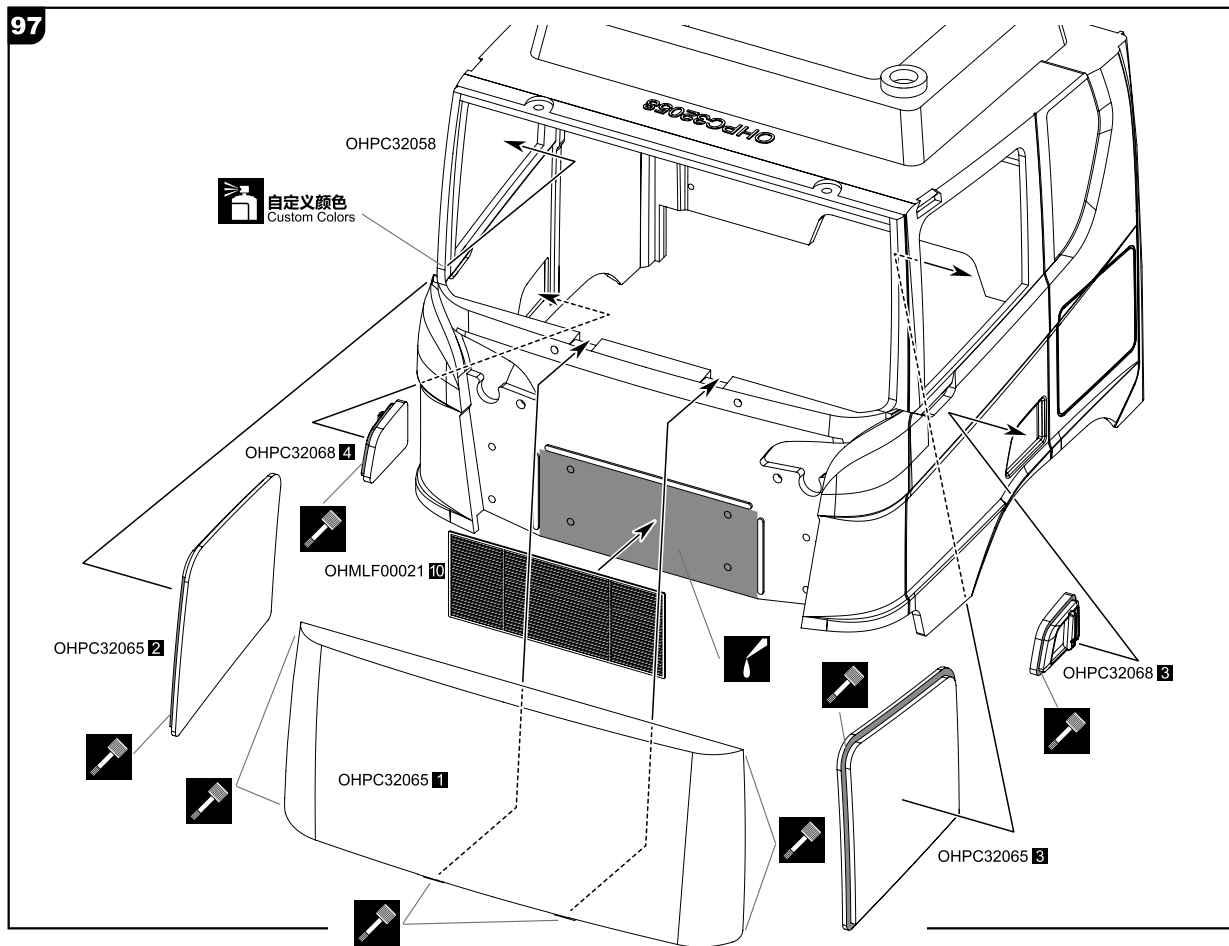


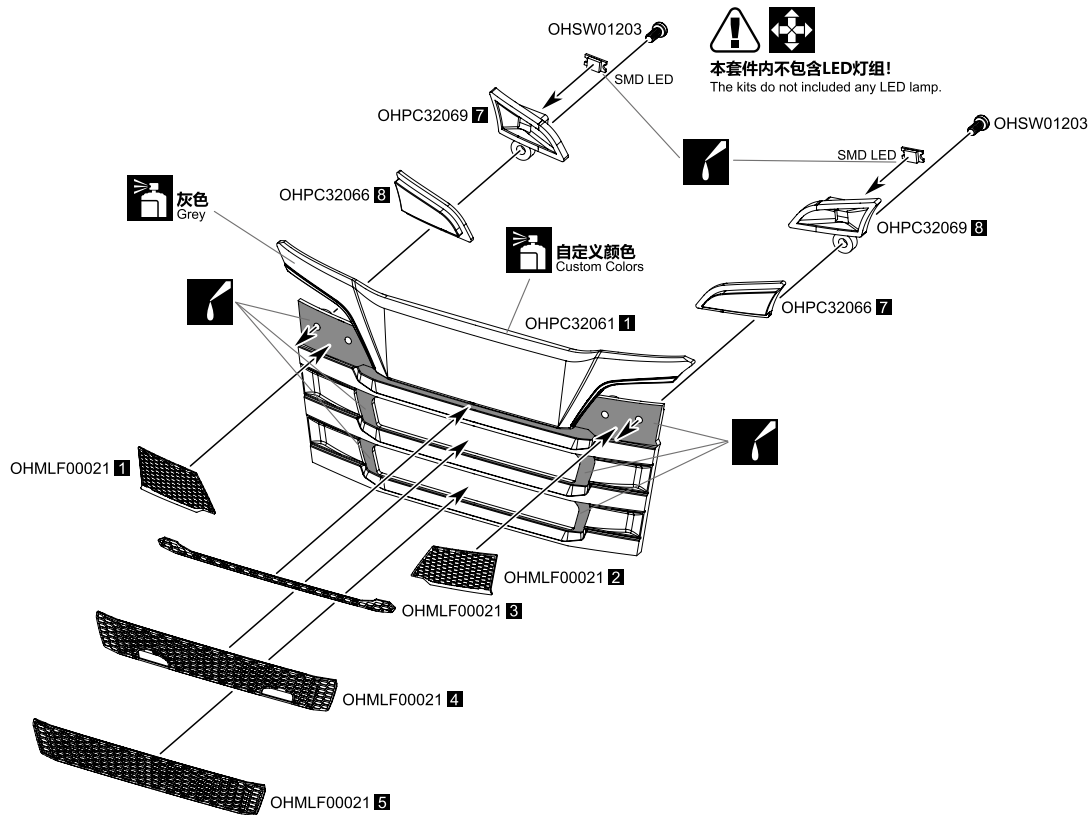
!
请勿反复弯折，
可能会使零件断裂！
Please do not fold repeatedly,
it may cause parts to break!



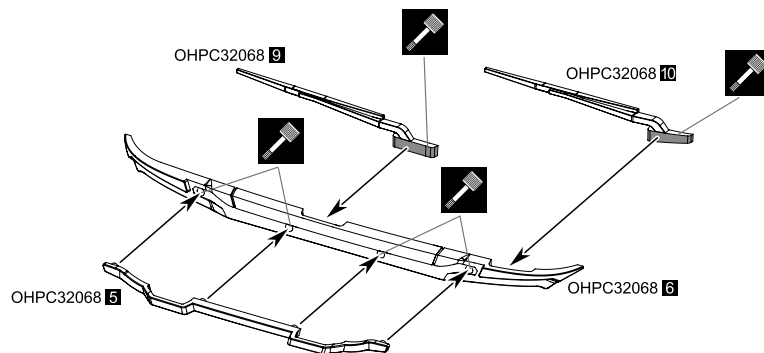


97

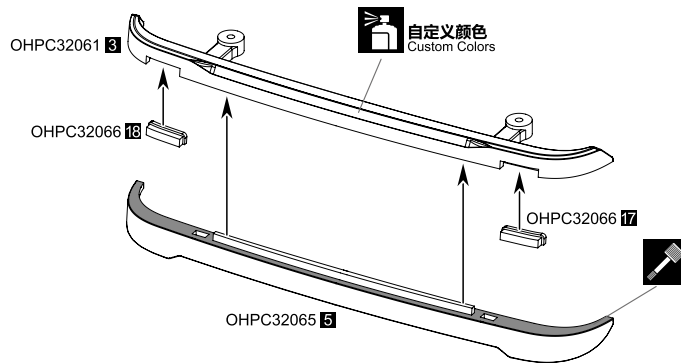


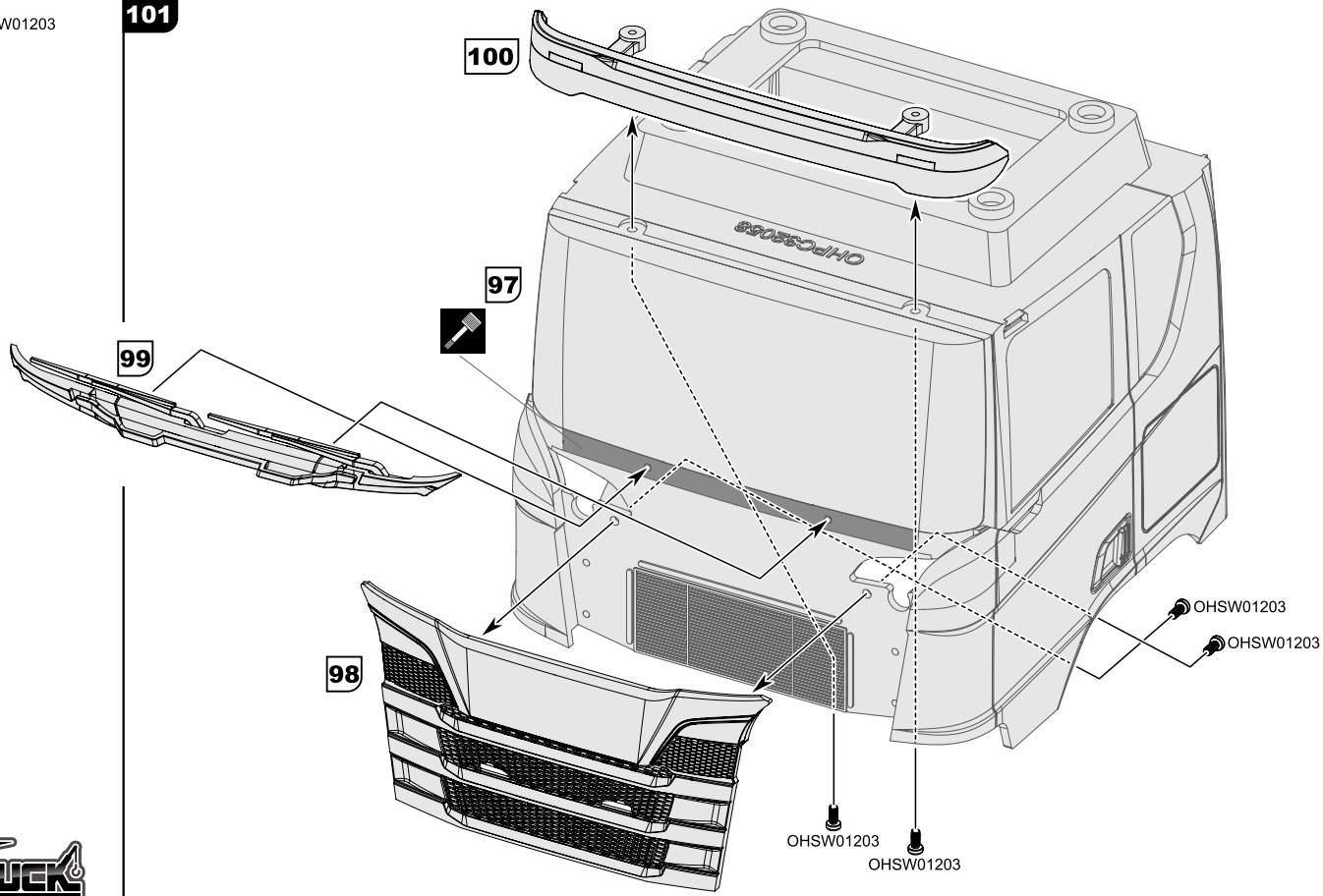


99

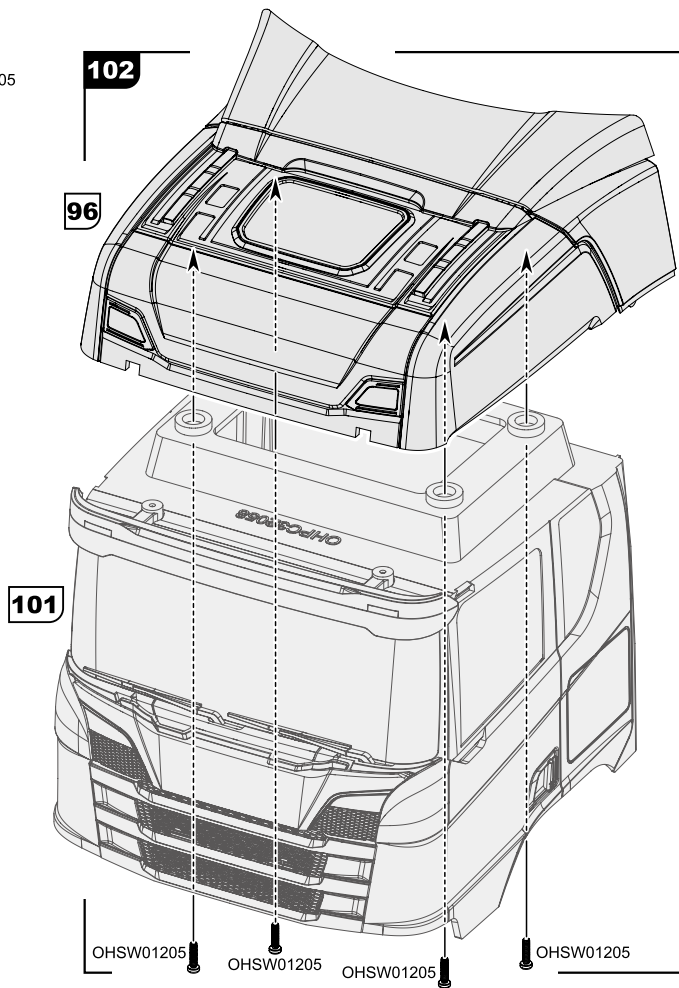


100

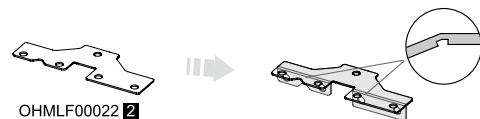




4X OHSW01205



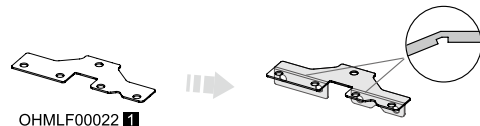
103



!
 请按照图示方向折弯。
 Please bend in the direction shown.



104



!
 请按照图示方向折弯。
 Please bend in the direction shown.



8X OHSW01203

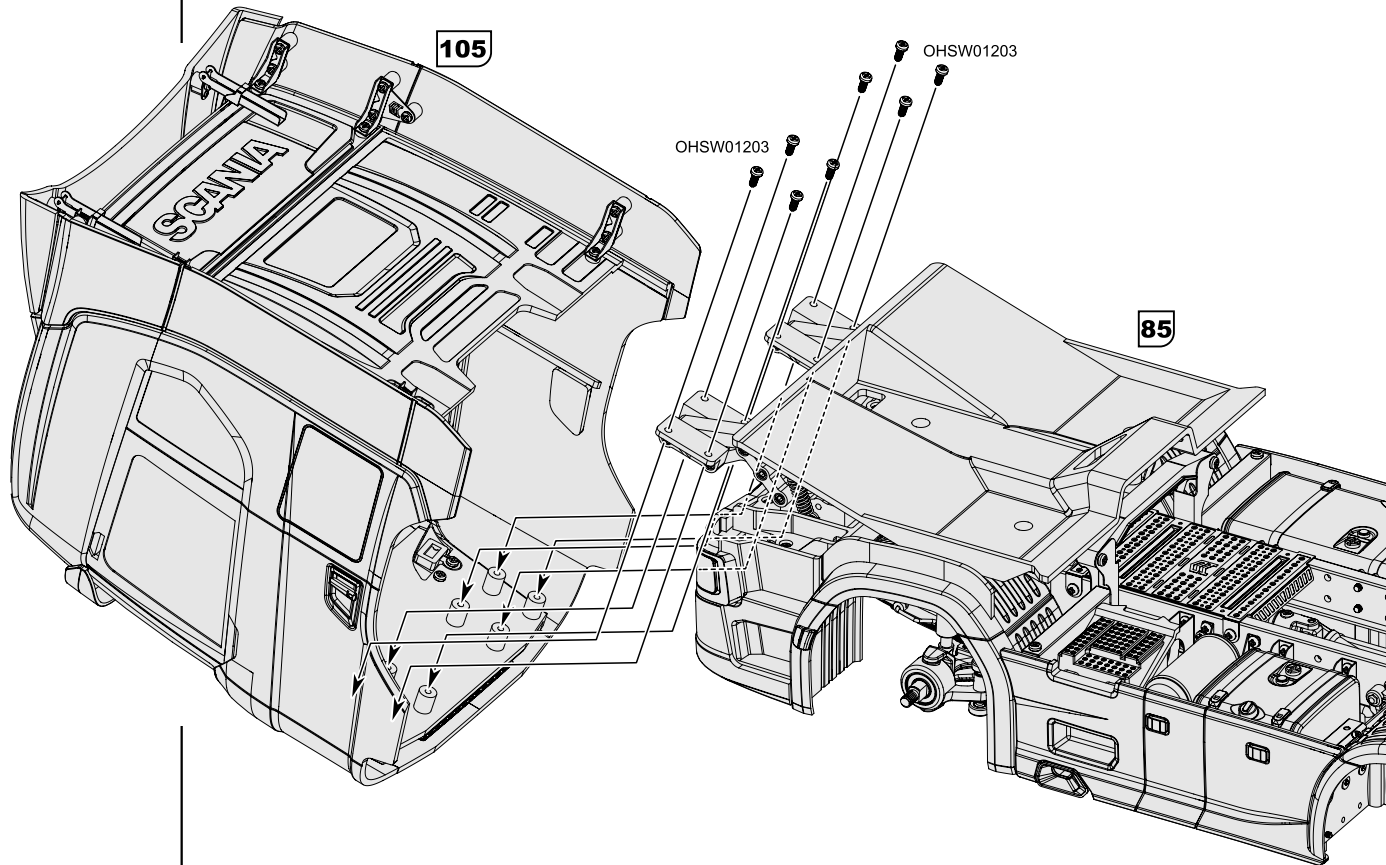
106

105

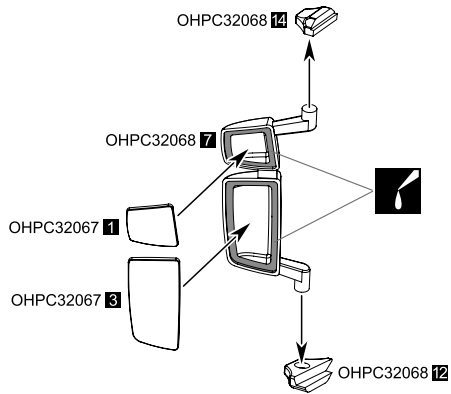
OHSW01203

OHSW01203

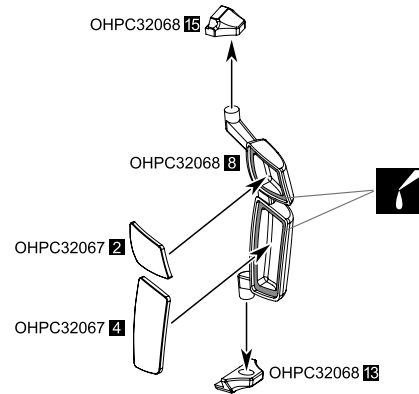
85



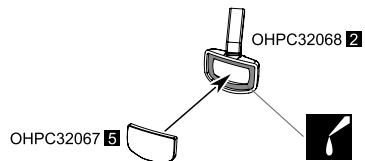
107



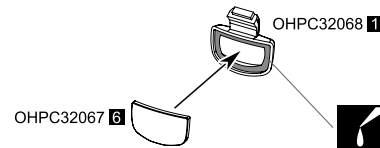
108

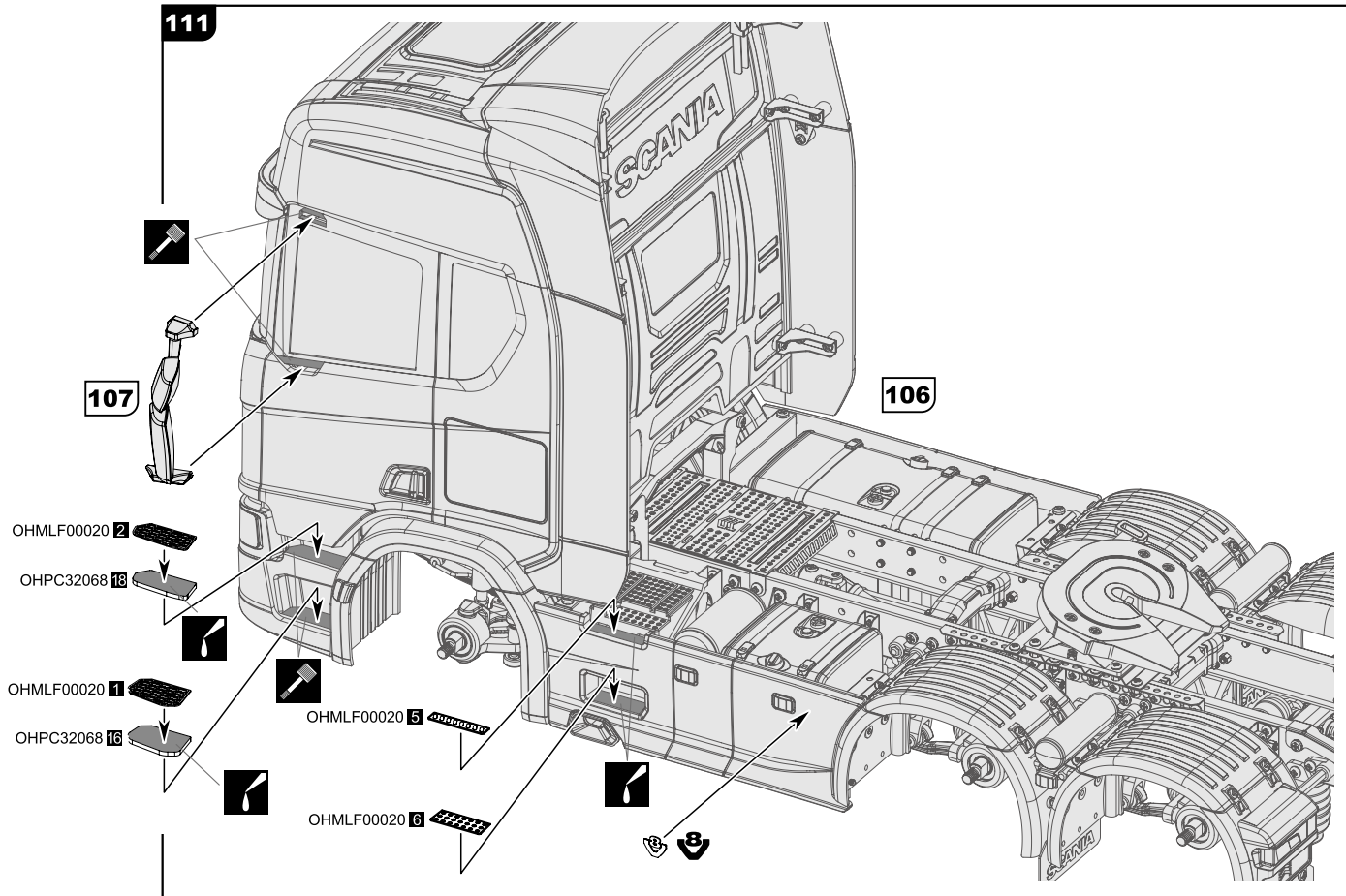


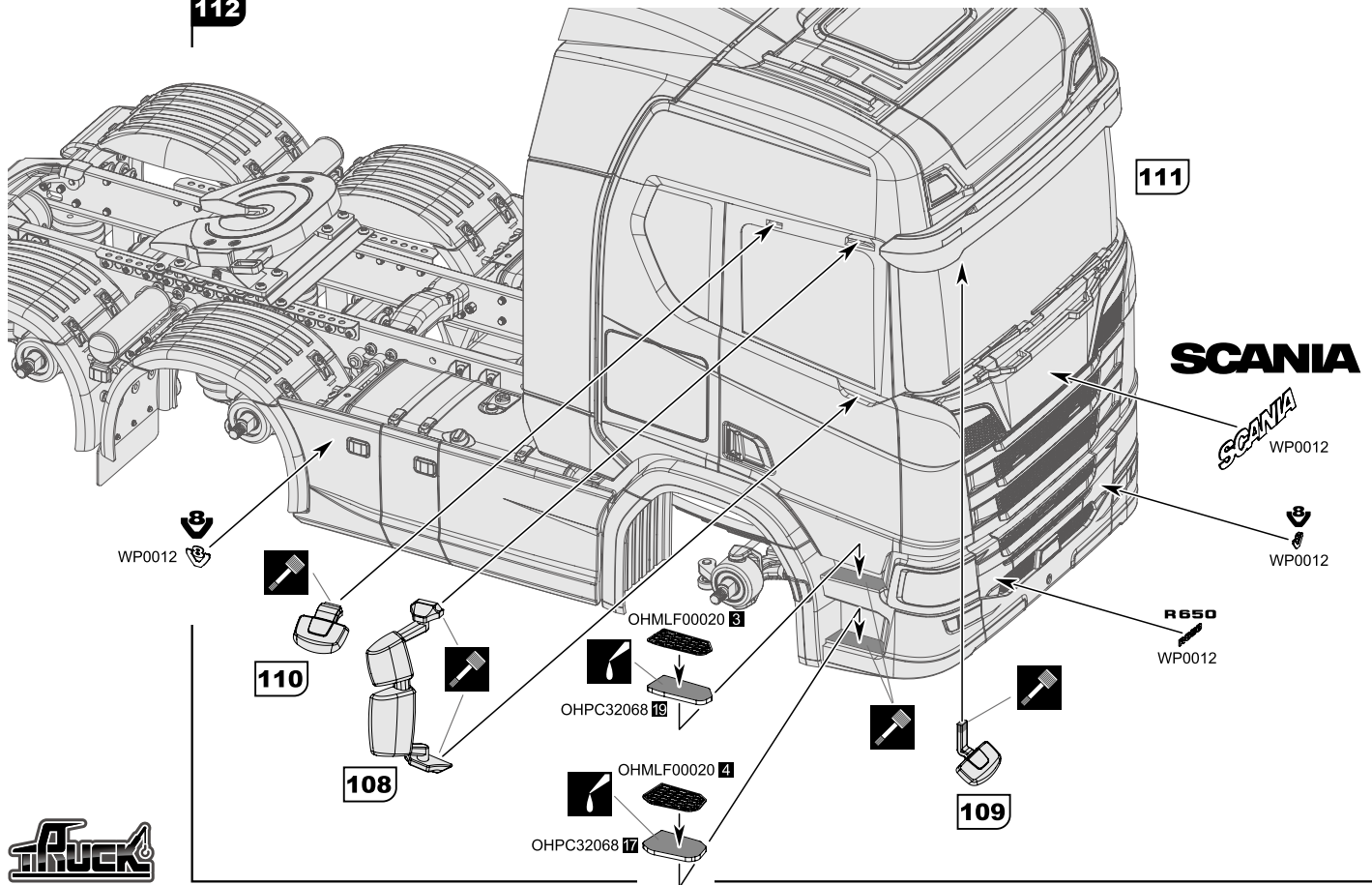
109



110



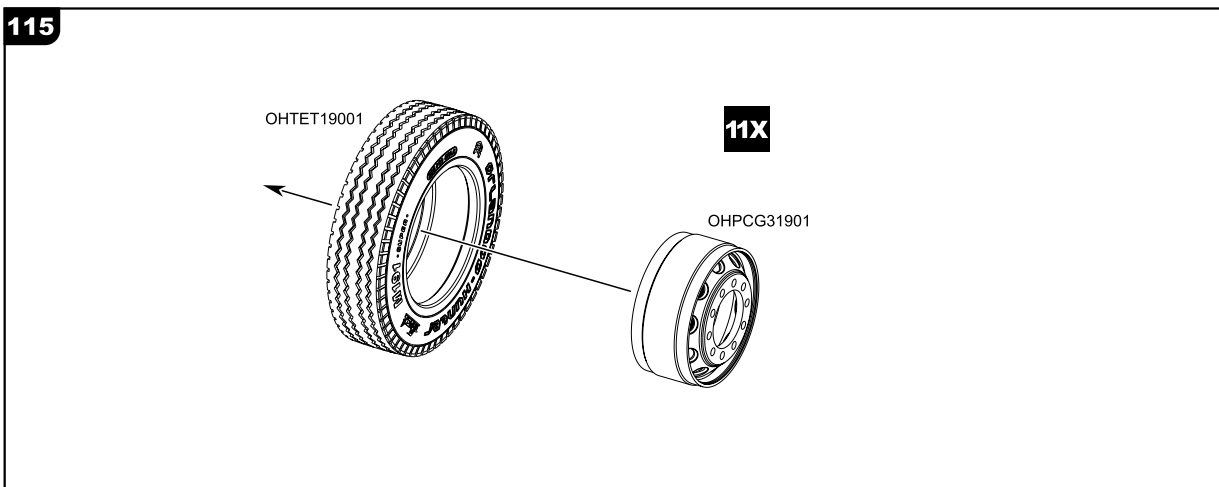
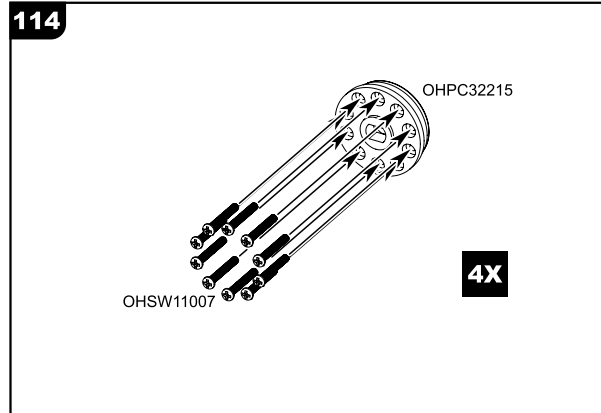
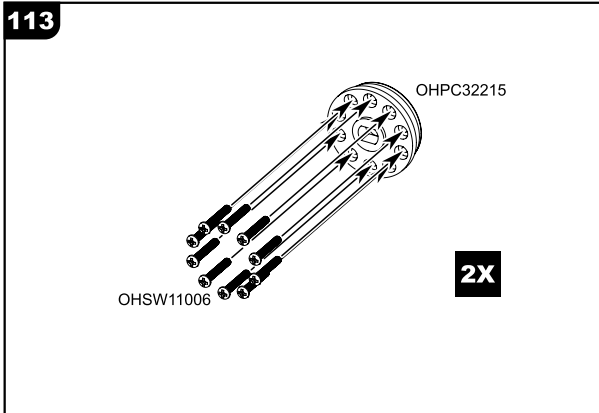




H
打开包裹“H”


20X OHSW11006


40X OHSW11007





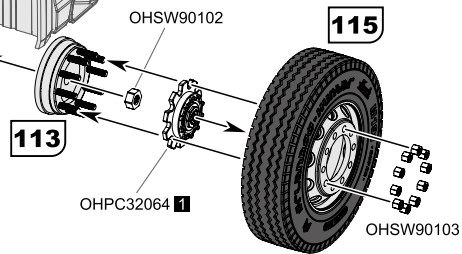
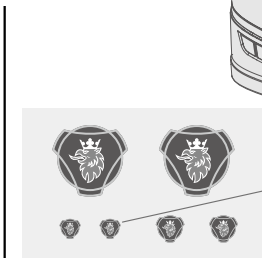
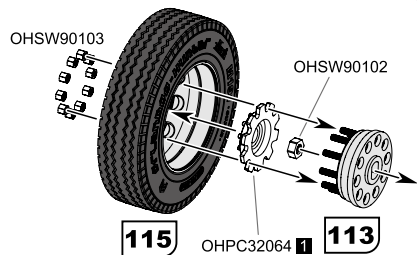
2X OHSW90102



20X OHSW90103

116

112

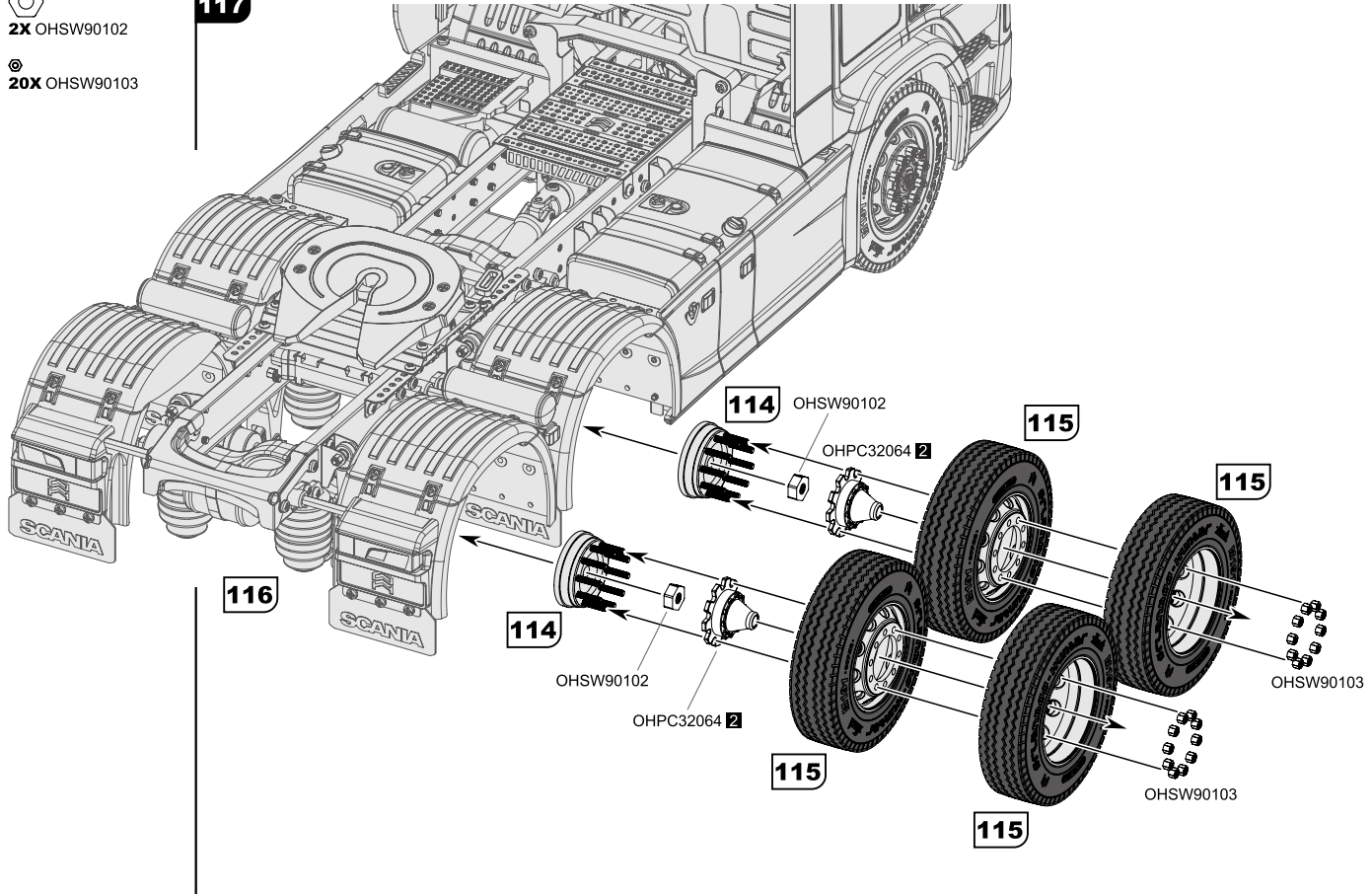




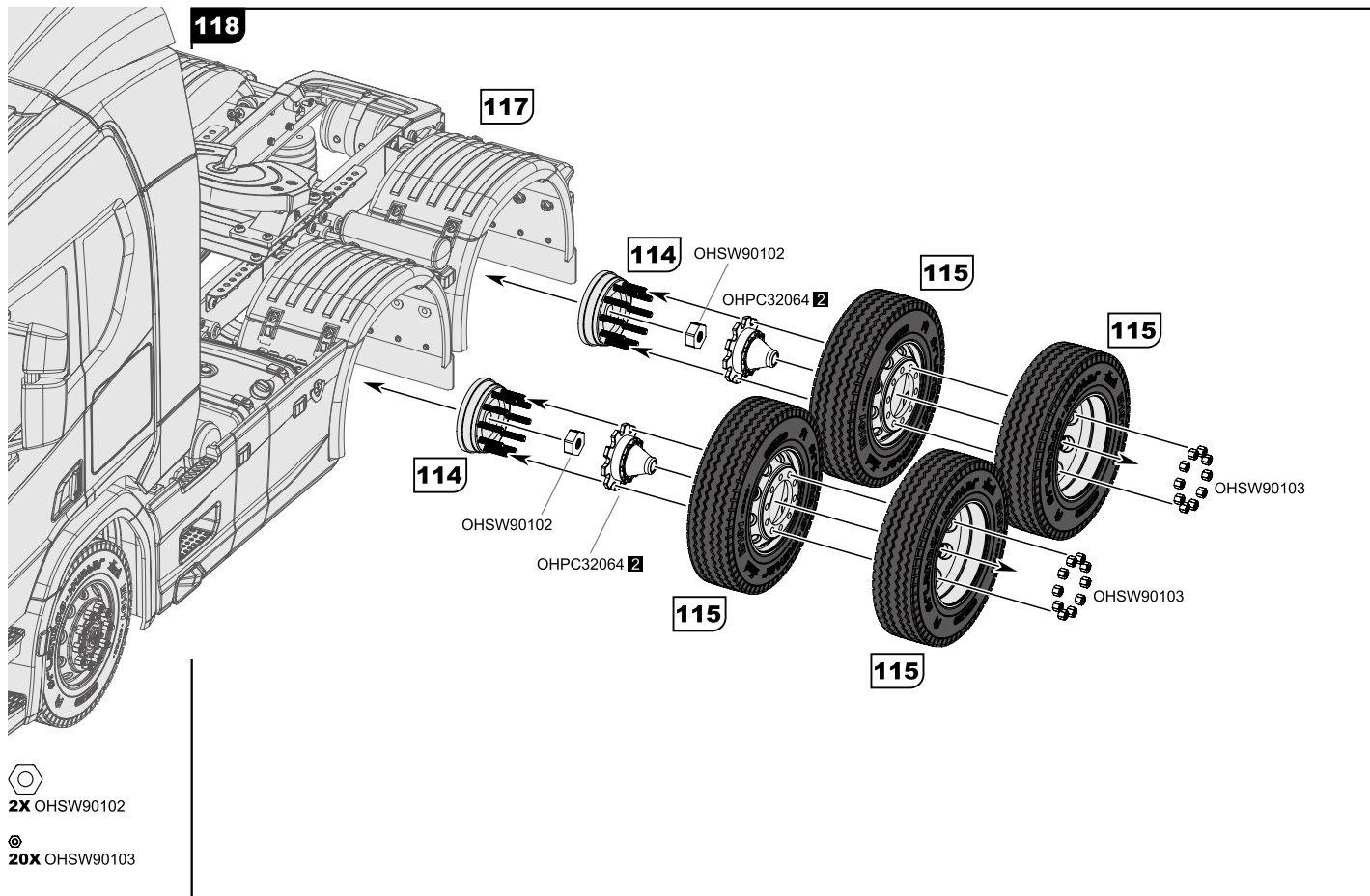
2X OHSW90102

⊙
20X OHSW90103

117



118



2X OHSW90102



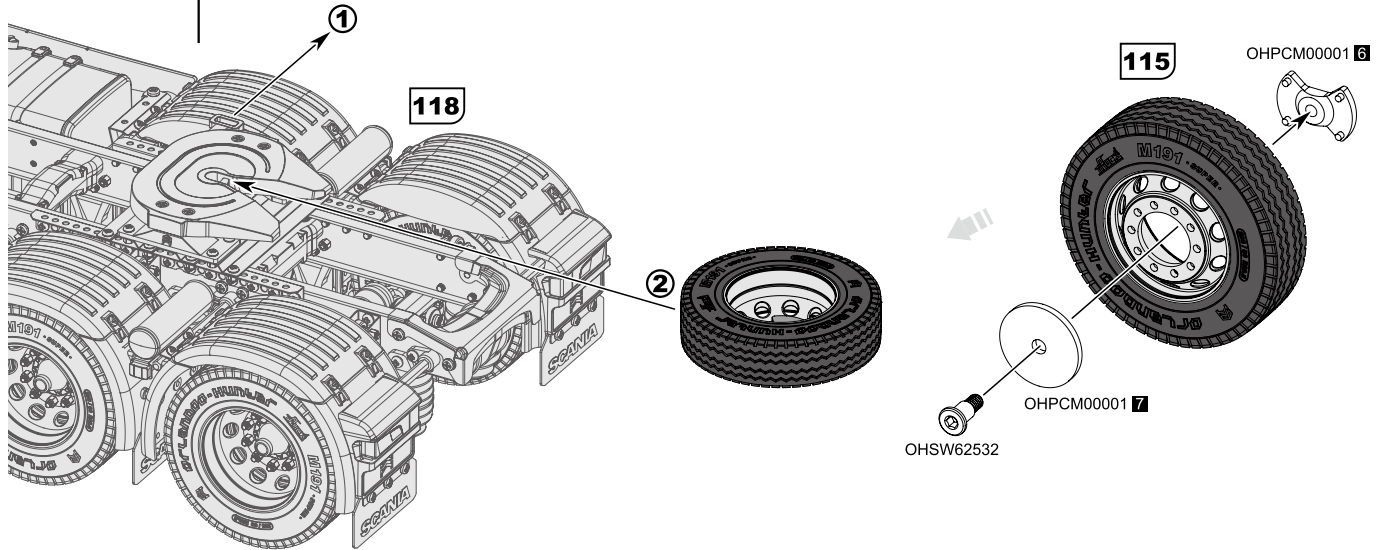
20X OHSW90103

OH32Tn KIT



1x OHSW62532

119





R650