



DOOROK

1/32 RC Rock Racer Kit

WID x TINY 4x4

DooROK by **WID** x **TINY 4x4**

1/32 RC Rock Racer Kit

The DooRok uses Orlandoo 56mm axles and gearbox components bolted in to a custom rock racer cage, co-designed by **TINY4x4** and Dominic Widmer (**WID**). Wheels are custom over-sized 18mm designs by **TINY4x4** and fit AutoRC Geko24 3318 tires.

Let's Doo Rok!

Components List

Printed Chassis Parts:

DooRok Cage with Integral Sub-Chassis (Bumper / Bumperless)

Orlandoo Center Transmission and Shock Parts:

TA0016 Transmission Housing & Skid Plate

TA0023 Transmission Gears

TA0028 2x5x2 Ball Bearing (2x)

TA0028 30mm Driveshafts

TA0003 Stock OH Shocks

TA0011 Ball End Screw pack

Orlando Axle Parts:

TA0030 56mm Axle Housings

TA0014 C-Hubs / Knuckles / Lockouts / Trusses / Servo Mount

TA0031 56mm Shafts

TA0024 Ring/Pinion Gears (2x)

MA2-V01 Front Axle CVDs

MA2-V03 Rear Axle Stubs

TA0025 3x6x2 Ball Bearing (4x)

TA0028 2x5x2 Ball Bearing (8x)

TA0011 Ball End Screw pack

TA0012 Double Ball Head Screw

Orlando Suspension Links Parts:

SA0061 Links

TA0001 Rod Ends

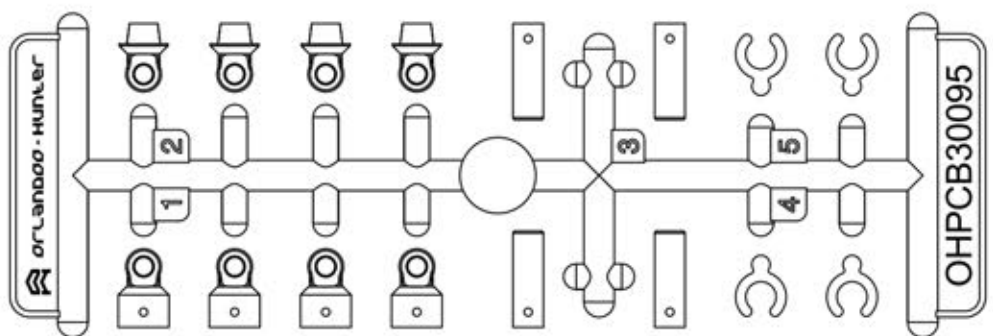
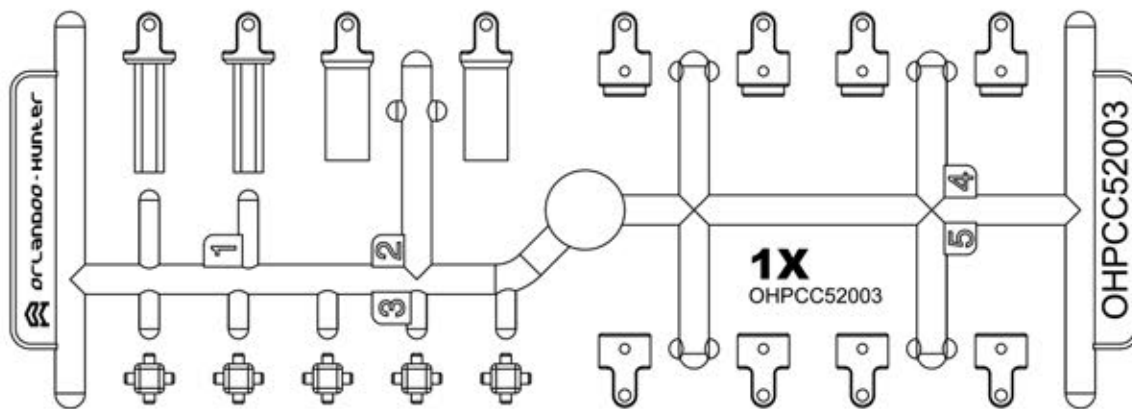
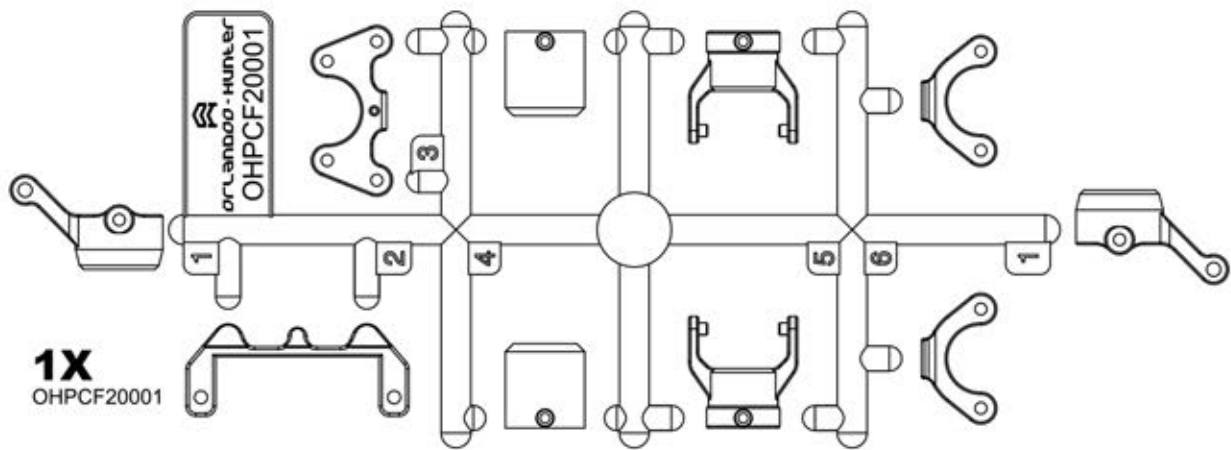
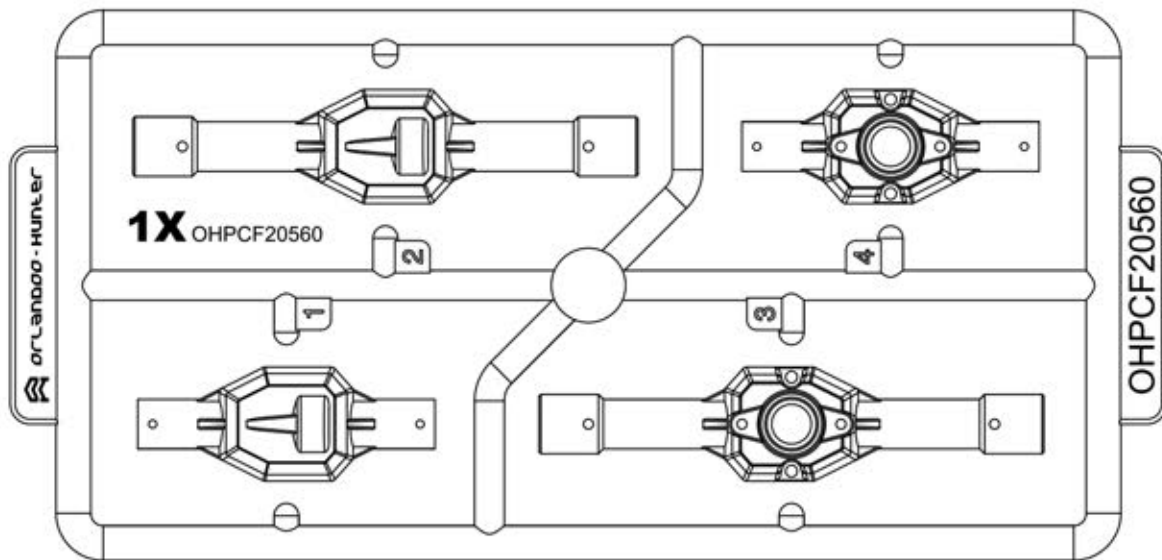
Tiny4x4 Wheels & AutoRc Tires:

18mm Resin Wheel (Rockstars or Renegades) (4x)

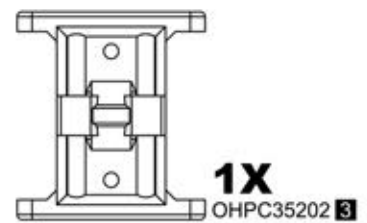
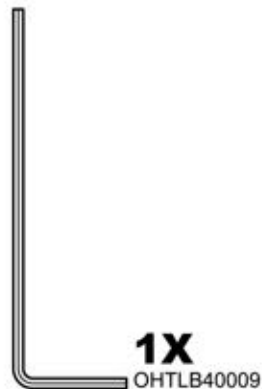
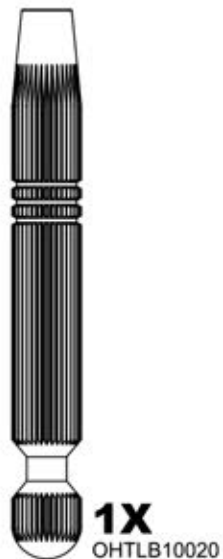
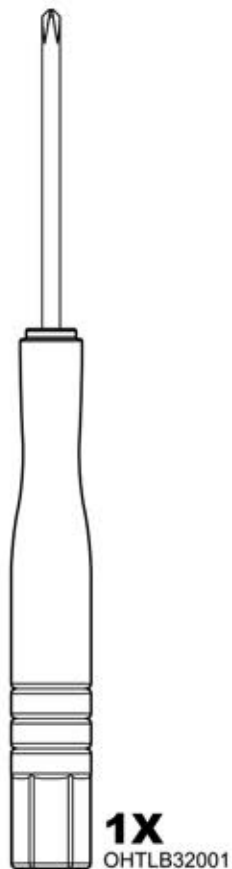
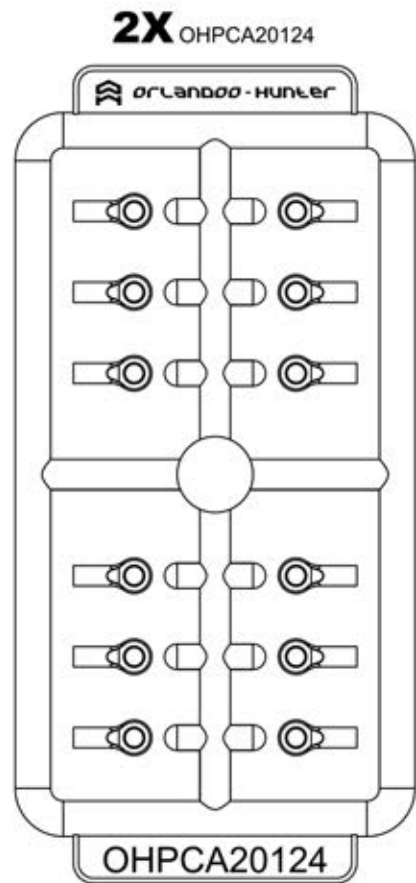
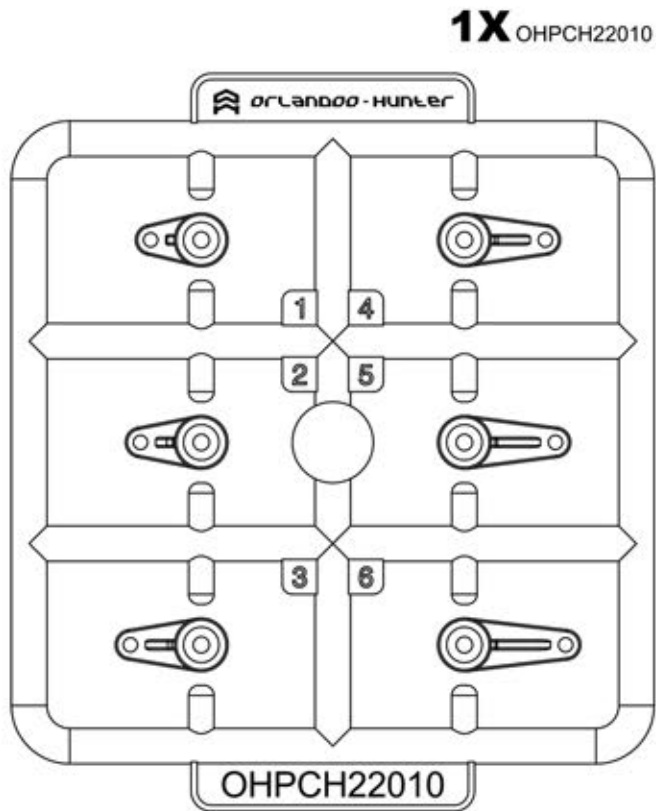
3318 Geko Tires (4x)

Orlando Hardware & Tools:

SA0062 Hardware Set



1X
OHPCB30095



4X
OHMLB01232

1X
OHMLB01218

1X
OHMLE20360
1X
OHMLE20510

1X
OHMLB01235

4X
OHMLB01220

1X
OHMCA05194

1X
OHMCA05191

2X
OHMLC20003

2X
OHMLC20001

2X
OHMLC20002

2X
OHMLM21625

2X
OHMLM00640

2X
OHMCB05160

2X
OHMCB05080

2X
OHMLM00835

2X
OHPJE00016

2X
OHPJQ10050

4X
OHMLD01010

4X
OHSGA02001

2X
OHBG40725

4X
OHBG30620

10X
OHBG20520

26X
OHMLA20162

1X
OHMLA2016B

4X
OHSW90102

1X
OHSW82002

55X
OHSW01002

8X
OHSW01003

4X
OHSW01005

8X
OHSW01204

10X
OHSW01205

3X
OHSW01503

6X
OHSW01505

2X
OHSW11603

A

打开包裹“A”



1X OHMLE20360



1X OHMCB05160



1X OHMCB05080



1X OHMLM00835



1X OHPJE00016



1X OHPJQ10050

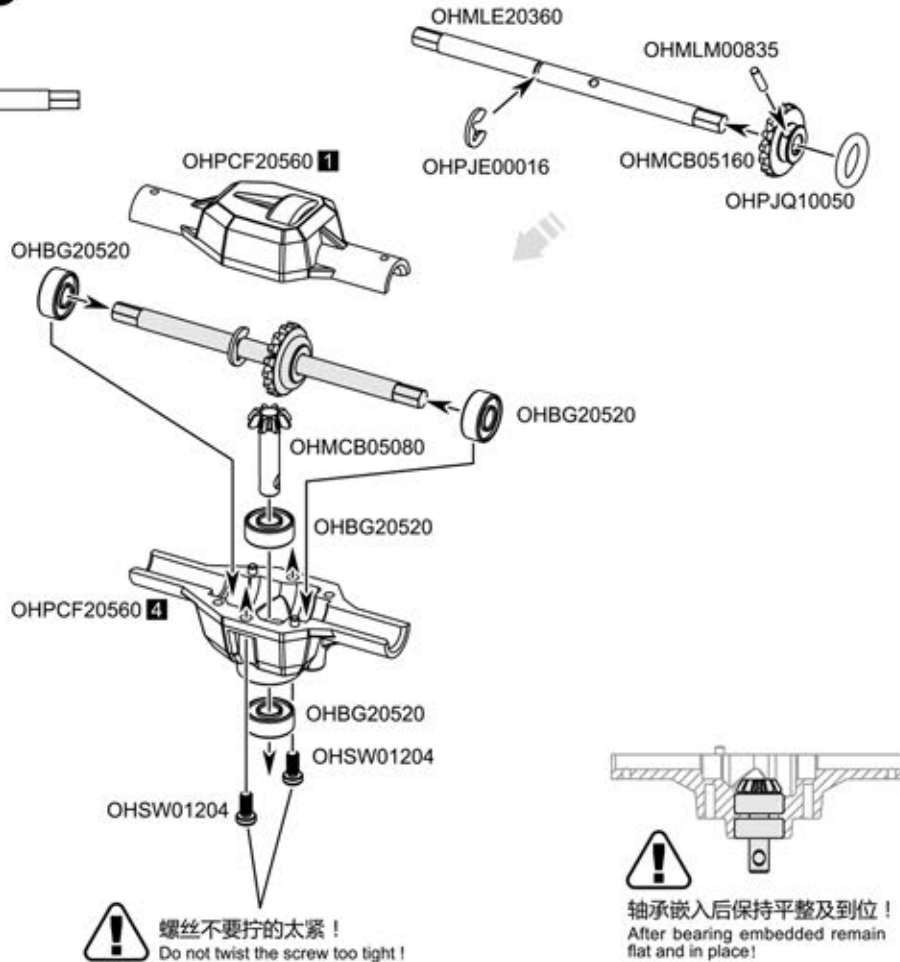


4X OHBG20520



2X OHSW01204

1

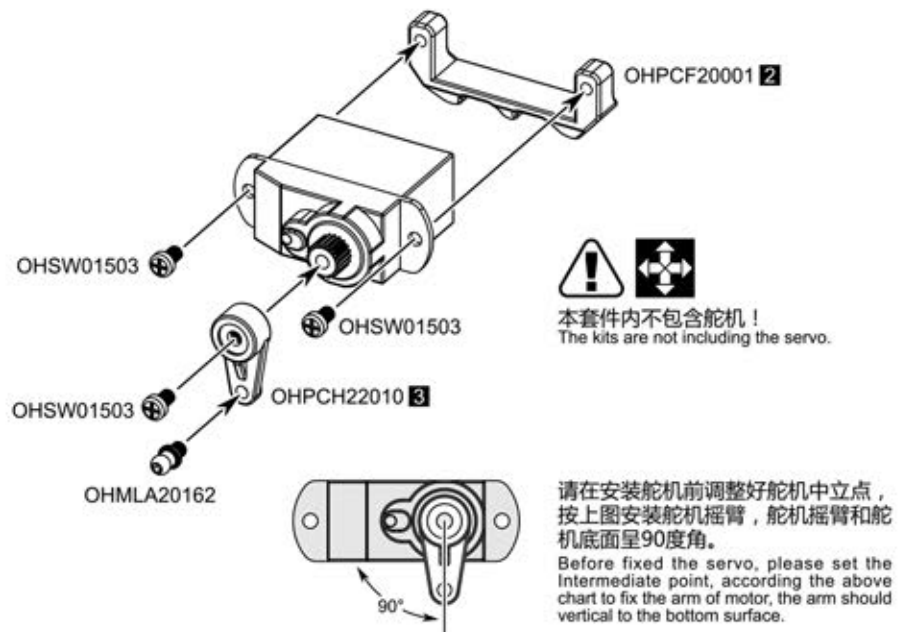


1X OHMLA20162

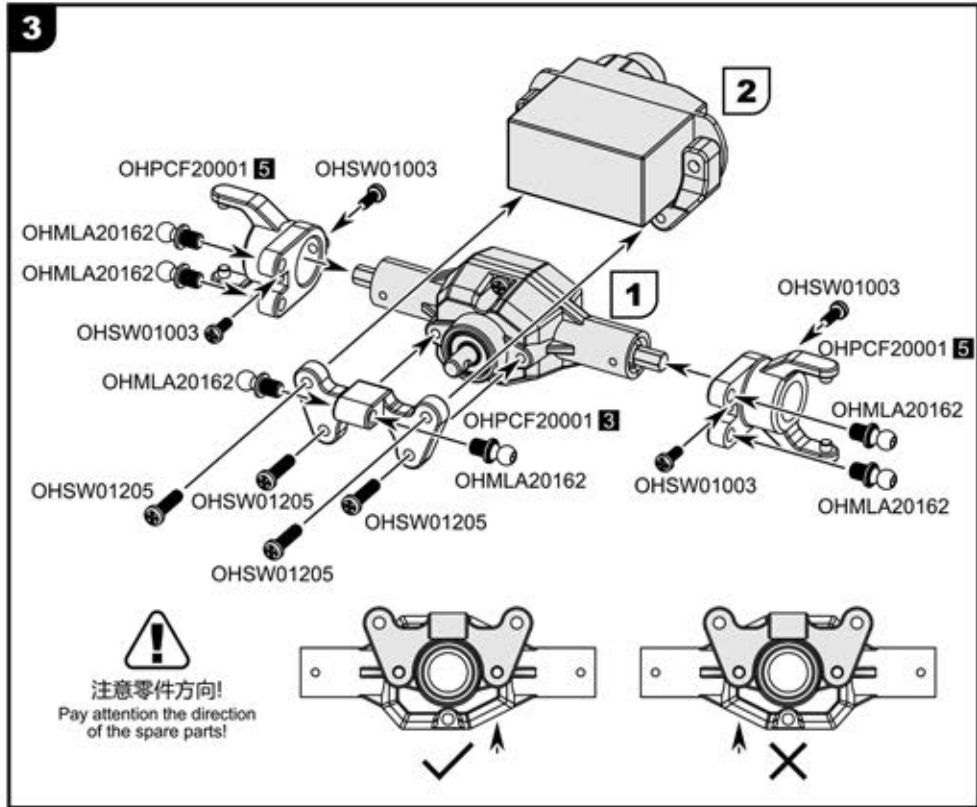










3X OHSW01503

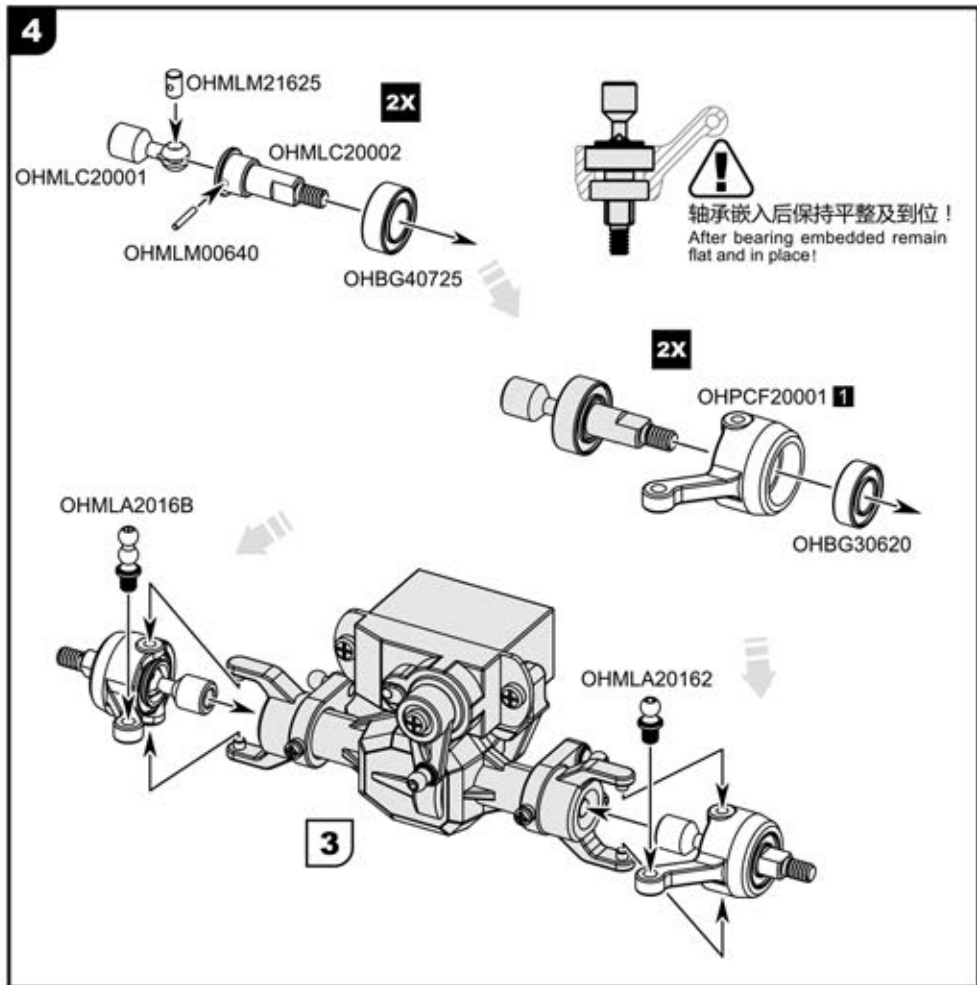
2



-  **6X** OHMLA20162
-  **4X** OHSW01003
-  **4X** OHSW01205



-  **2X** OHMLC20001
-  **2X** OHMLC20002
-  **2X** OHMLM21625
-  **2X** OHMLM00640
-  **2X** OHBG40725
-  **2X** OHBG30620
-  **1X** OHMLA20162
-  **1X** OHMLA2016B





1X OHMLE20510



1X OHMCB05160



1X OHMCB05080



1X OHMLM00835



1X OHPJE00016



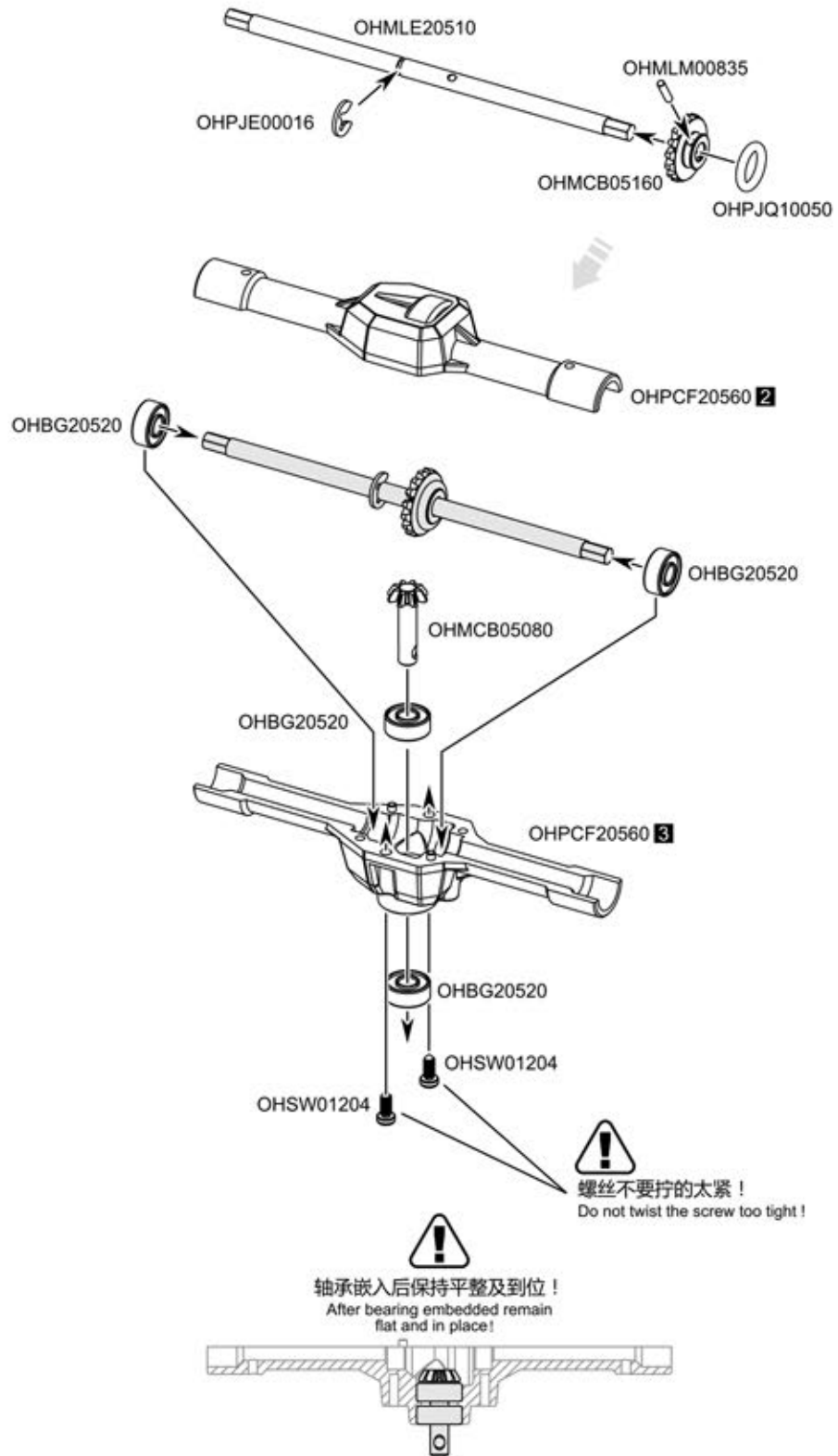
1X OHPJQ10050



4X OHBG20520



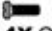
2X OHSW01204




2X OHMLC20003


2X OHBG30620


6X OHMLA20162

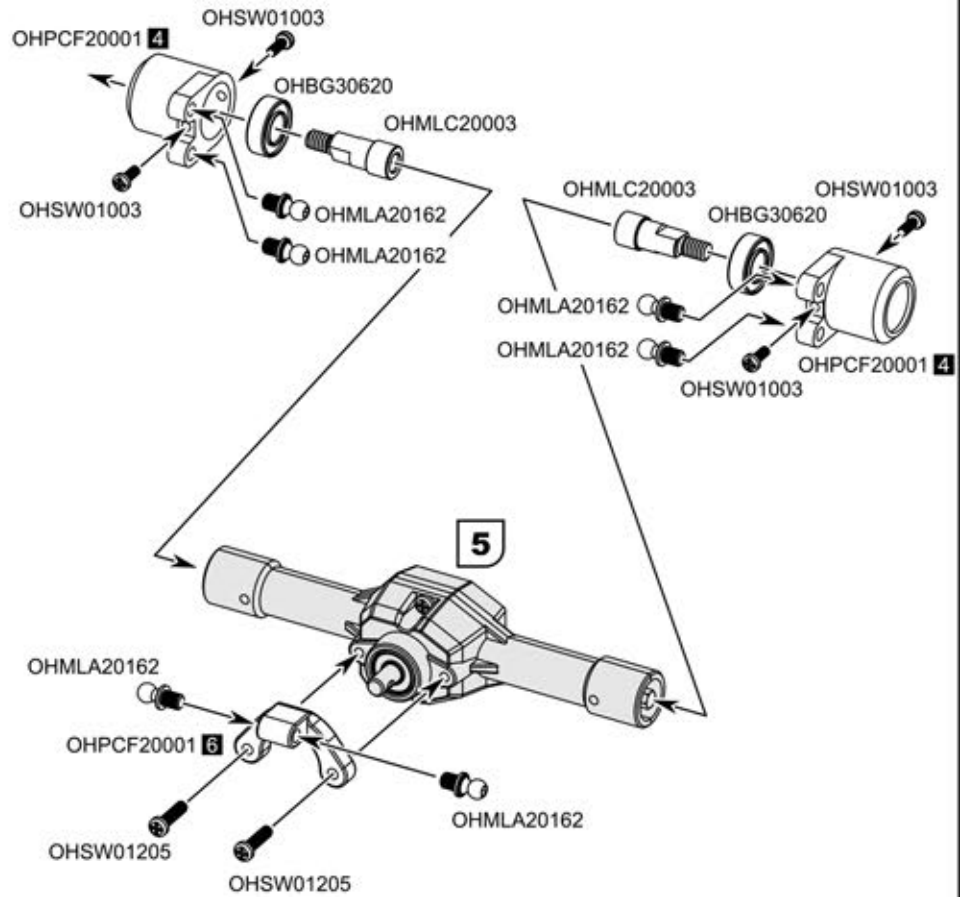

4X OHSW01003


2X OHSW01205

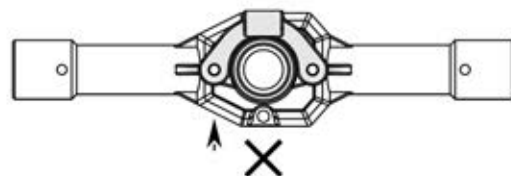
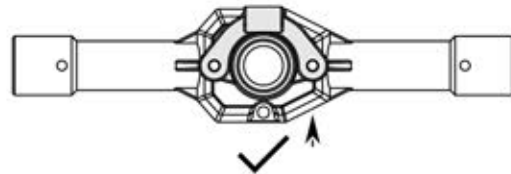
6



轴承嵌入后保持平整及到位！
After bearing embedded remain flat and in place!



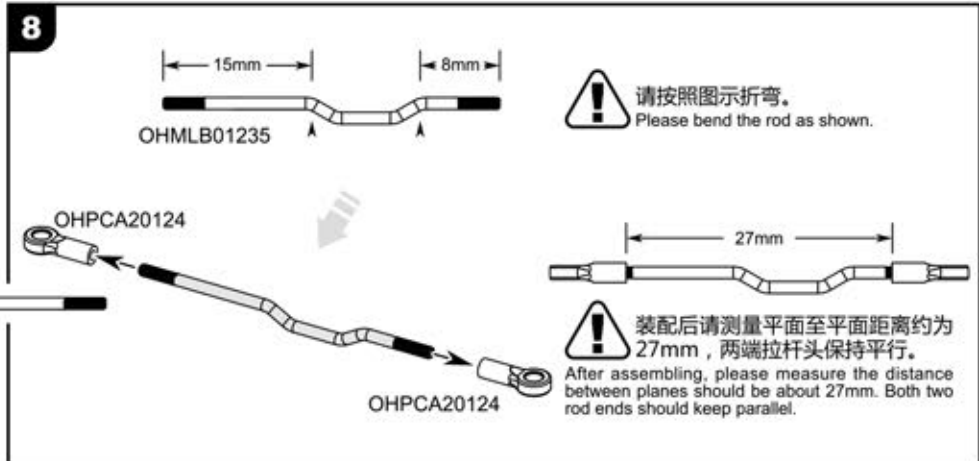
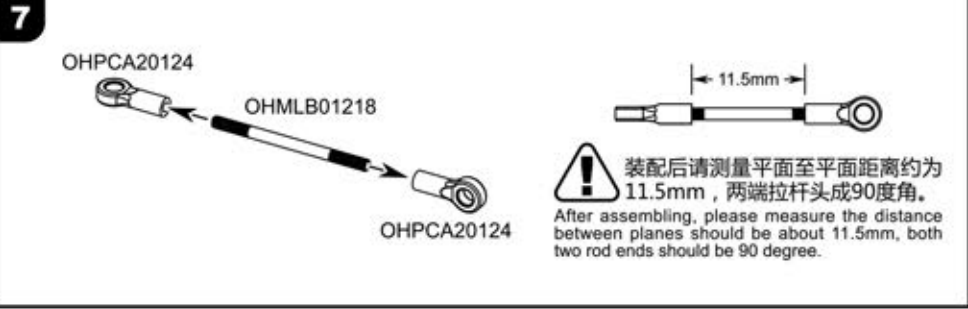
注意零件方向！
Pay attention the direction
of the spare parts!



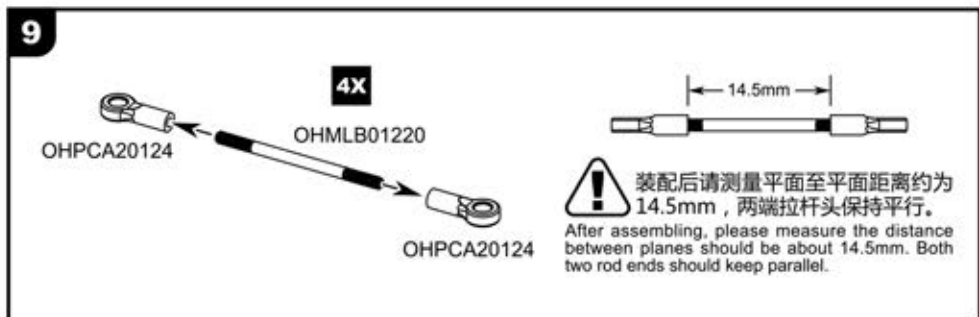
B

打开包裹“B”

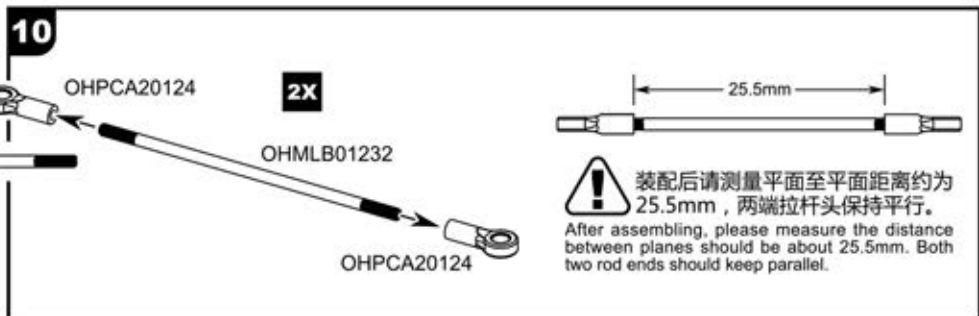
1X OHMLB01218



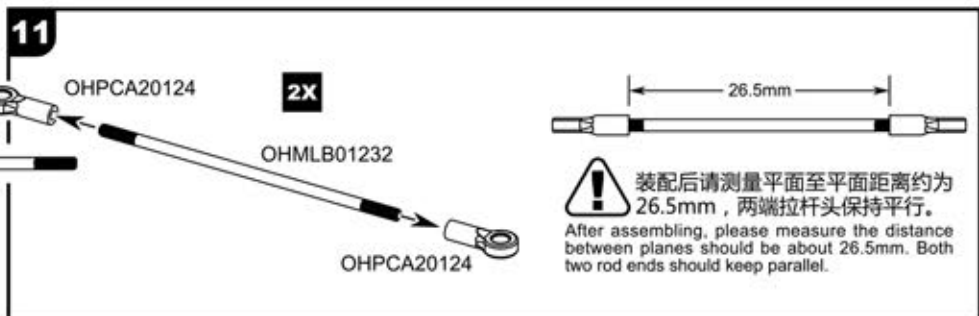
1X OHMLB01235



4X OHMLB01220

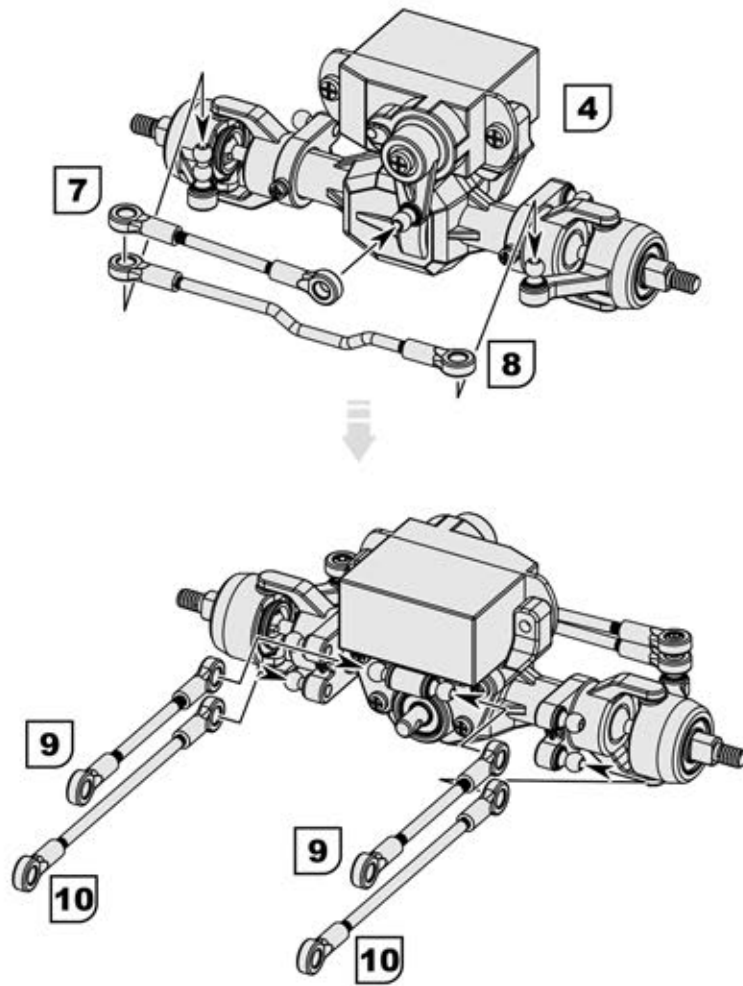


2X OHMLB01232

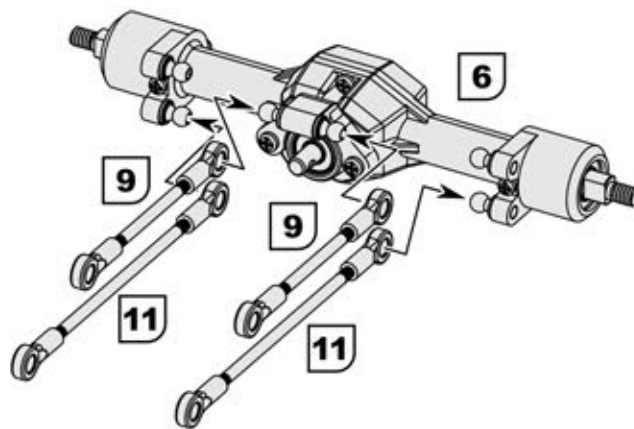


2X OHMLB01232

12

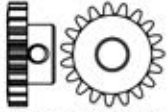
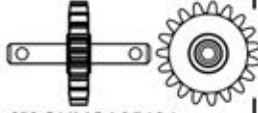
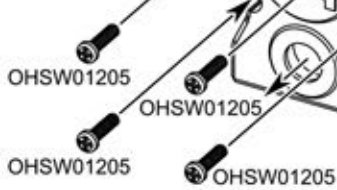


13



C

打开包裹“C”

**1X** OHMCA05191**1X** OHMCA05194**2X** OHBG20520**8X** OHMLA20162**4X** OHSW01205**2X** OHSW01505**2X** OHSW11603**1X** OHSW82002

OHSW01205

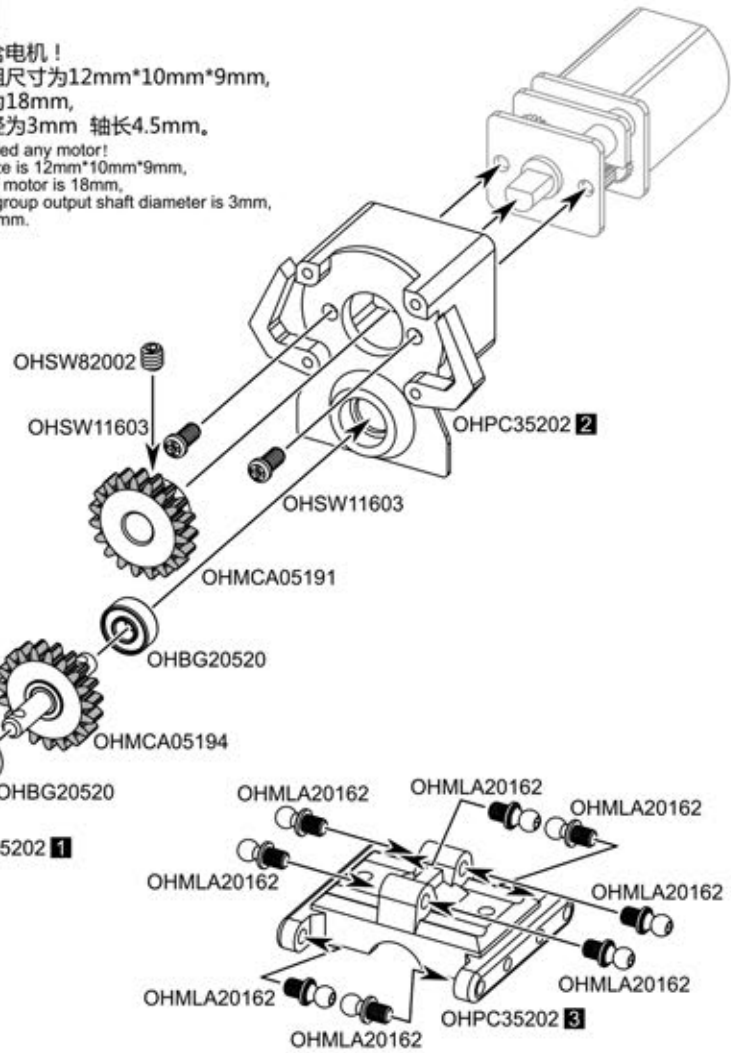
OHSW01205

OHSW01205

OHSW01205

14

本套件内不包含电机！
 减速电机减速组尺寸为12mm*10mm*9mm，
 电机最长限制为18mm，
 减速组输出轴径为3mm 轴长4.5mm。
 The kits not included any motor!
 The decelerate size is 12mm*10mm*9mm,
 The max length of motor is 18mm,
 The deceleration group output shaft diameter is 3mm,
 shaft length is 4.5mm.



OHSW82002

OHSW11603

OHPC35202 **2**

OHSW11603

OHMCA05191

OHBG20520

OHMCA05194

OHBG20520

OHPC35202 **1**

OHMLA20162

OHMLA20162

OHMLA20162

OHMLA20162

OHMLA20162

OHMLA20162

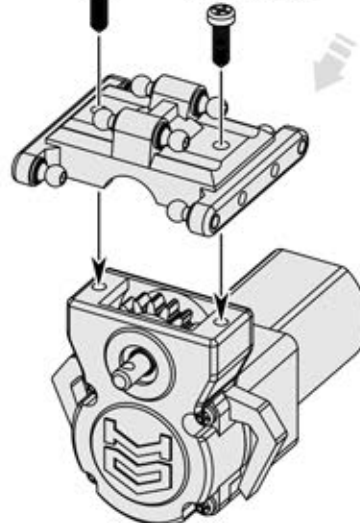
OHMLA20162

OHMLA20162

OHPC35202 **3**

OHSW01505

OHSW01505

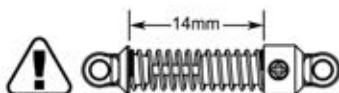


4X OHMLD01010

4X OHSGA02001

4X OHSW01005

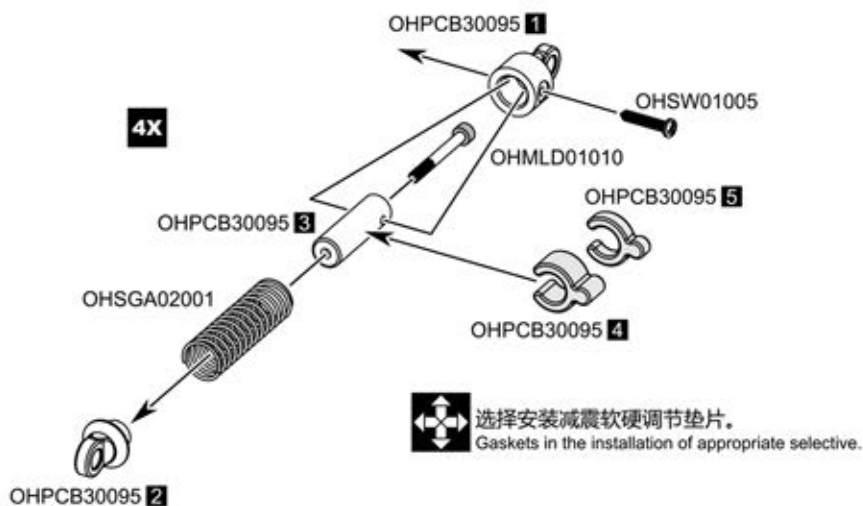
15



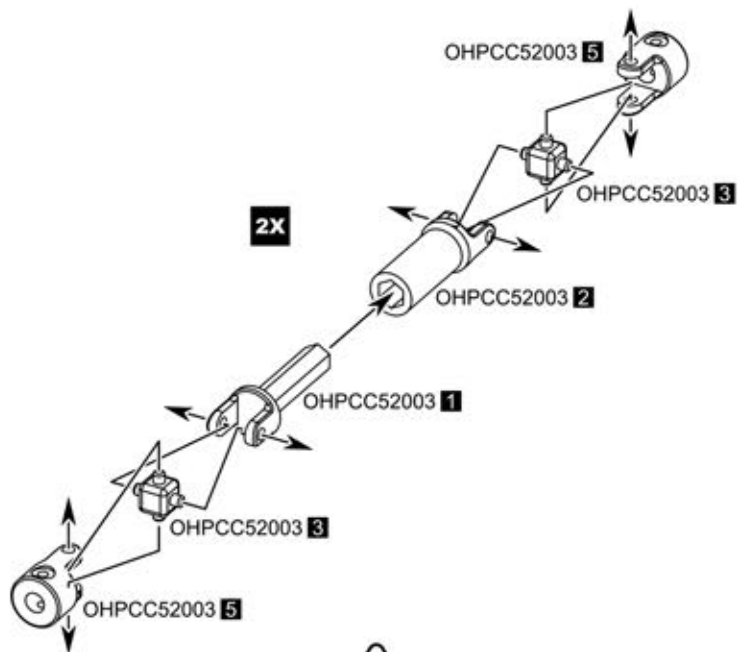
请调整减震距离约为14mm。
Please adjust the distance between shock absorber.
请使用尖嘴钳夹住丝杆再拧入减震座。
Please use Needle-nose pliers clamp to rod then twist into the shock absorber seat.



螺丝请勿拧入过紧，过紧可能导致减震筒身变形，导致顺滑度降低！
Do not twist the screw too tight, if too tight will cause the deformation of the shock absorber tube!



16



套入万向节时请控制力度，零件较小，请耐心组装。
Do not use over strength to set the universal ball, due to the small spare parts, please be patient when assembling.