

感谢您购买 奥兰多汉特 笼架系列 **ORLANDO HUNTER KIT** 模型。  
请您务必仔细阅读说明书，根据说明书的提示来帮助您完成您的模型。  
本套件为KIT散件版本，需要您动手组装上色及调试。

Thanks for choosing **ORLANDO HUNTER X-ROLL CAGE** Series **ORLANDO HUNTER KIT** model. Please read our instructions carefully, and following our instructions to help you finish assembling the model. The kits are parts, need assembling, painting and debugging by yourself.

本套件不含电子设备，您至少还需购买：

The kits are not including the following parts which you need to buy:



发射机 Transmitter    接收器 Receiver    调速器 Mini ESC    减速电机 Motor    2.2g 舵机 2.2g Servo    锂电池 Li-po    充电器 Charger

您还需要购买涂料、遮盖胶带、流缝胶、美工刀等工具辅料，来协助您完成您的模型。

Besides, in order to finish your model, following Supplementary material you also need to buy: Coating, Masking Tape, Utility Knife.



涂料 Coating    遮盖胶 Masking Tape    美工刀 Utility Knife

您还可以升级灯光设备，选择微型灯光控制器、LED灯珠及贴片，使模型更仿真。

Besides, in order to upgrade your model, following light material you also need to buy: Mini Lamp control, 4mm LED bulb, smd LED.



微型灯控 Lamp Control    LED灯珠 4mm LED    贴片LED SMD LED

## 警告 WARNING

**本套件不适合14岁以下使用!**

The kits are not suitable for child under 14 years old!

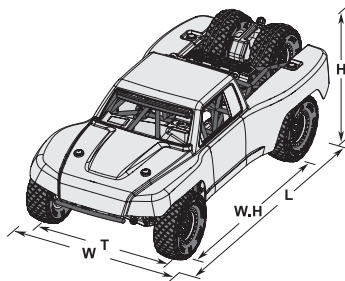


套件内含大量微小零件，若儿童吸入或误食，可能会导致窒息等危险！请务必放置于儿童不易接触的地方！

The kits including many mini parts, if the child inhalation or mistake eaten, can cause choking or other serious hazard!

Please be sure put the model at the place where child can not touch it!

SIZE **132th**



## 尺寸/参数 SIZE / DATA

长度 L	宽度 W	高度 H	轮距 T	轴距 W.H
168mm	79mm	59mm	67mm	104mm

## 注意 ATTENTION

组装完成后的模型内含有高减速比齿轮及微型传动系统，请不要尝试使用一切外力强制推动汽车模型。这将可能损坏传动系统及齿轮组件！

模型内含有微型连接件及外观仿真件，请防止高空坠落或挤压模型。这将可能损坏微型部件及外观零件！

请勿将模型长时间放置于阳光下，这将可能加速塑料及橡胶的老化！

After finish assembling the model, please do not use any large strength to push the model, since the inside have high reduction ratio gearwheel and mini transmission system, if do will cause the transmission system be damaged!

Since the model have the mini connection parts and simulation parts inside, please avoid the model be altitude fall or squeezed, otherwise, it will cause the damage of mini connection parts and simulation parts!

Please do not put the model in the sun at long time, otherwise, it will accelerate aging of the plastic and rubber parts!

## 警告 WARNING

套件内用于包装的塑料袋使用后请及时收好，或者丢弃在可回收垃圾桶内。请勿让儿童当做玩具，可能会导致窒息危险！

The plastic bag of kits, after using please promptly put away or throws into the recyclable rubbish bin, if get by child, might have choking hazard!

## 提示 TIPS

在开始组装前，请先准备好所需要用到的工具，按照说明书左侧提示打开相对应的包裹（不要将所有零件包全部打开或全部取出，以免弄混或者丢失），取出相对应的零件（只需要取出左侧标注的零件数量）。因个别零件尺寸比较小，特别是螺丝等小零件，非常容易丢失，使用小盒子、小盒子等来放置待组装的小零件，能有效防止其丢失。

取出零件后如发现毛刺或飞边的，请先用美工刀进行修整，再用砂纸打磨光洁后进行组装。进行这一步骤后将对组装完成后运行的流畅性和美观性有进一步提升。

组装小零件时注意控制力度，以免损坏零件或使零件掉落而丢失。

Before assembling, please according the instructions tips to open and take out corresponding package, ready for all the tool you need (please not open all the package, it will cause the parts lost or confused). Because some spare parts are really very small, especially the screw etc., which is easily missing, you can put them into a small dish or box first to avoid missing.

Before assembling check the spare parts first, if any burr found, please use utility knife to make it flat, and then use sandpaper to make it smooth. After doing this the fluency and aesthetics of the model will be upgraded.

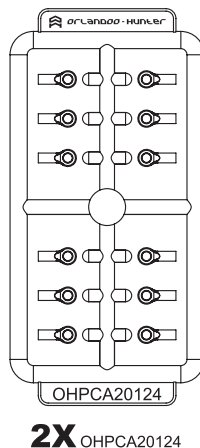
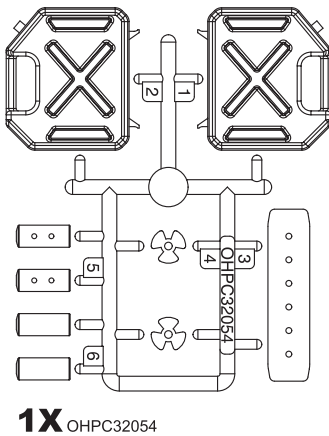
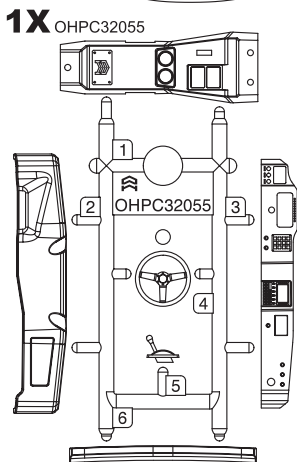
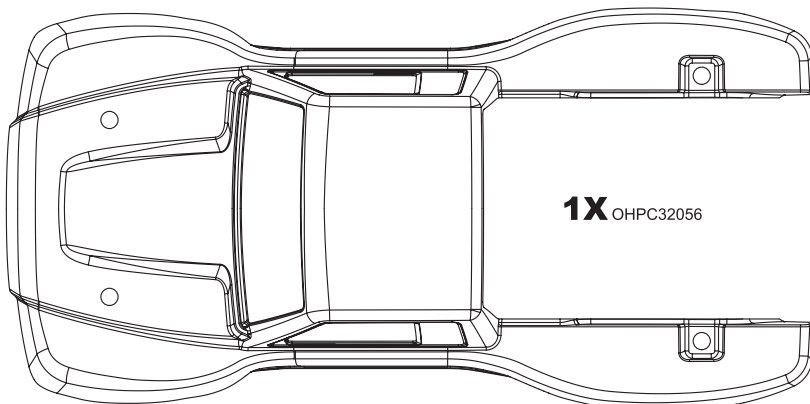
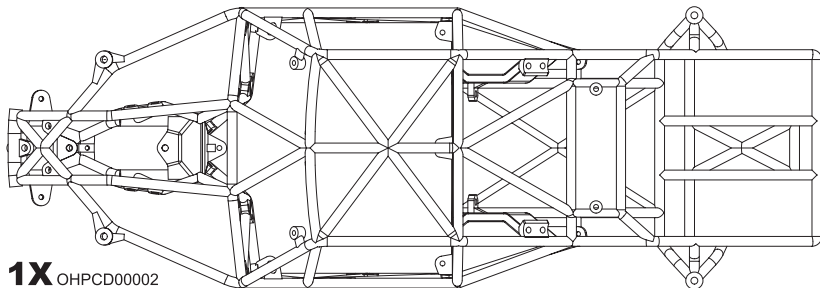
During assembling the spare parts, please do not use over strength or else will cause the spare parts break or drop.

## 部件/编号对照 PARTS / REFERENCE NUMBER

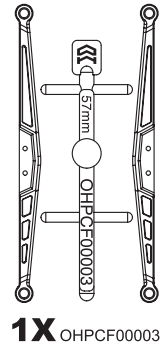
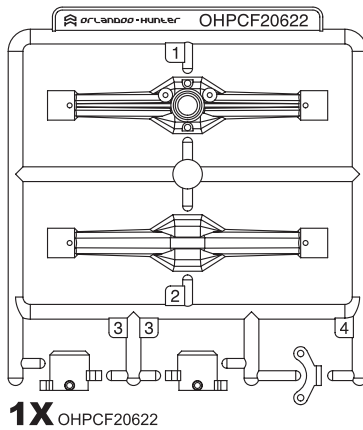
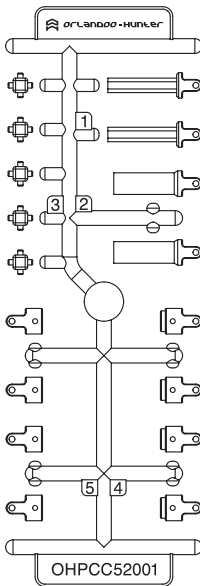
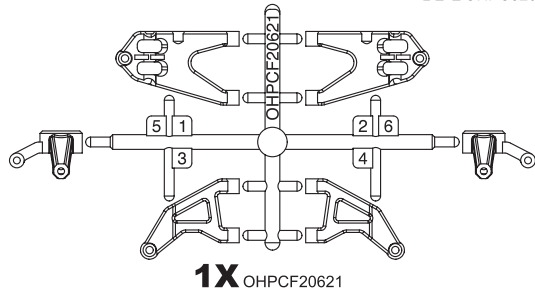
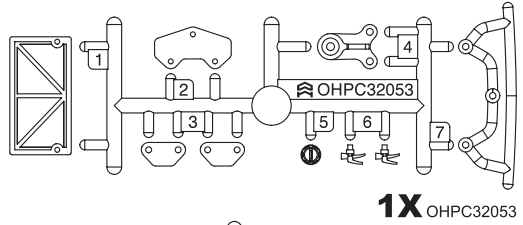
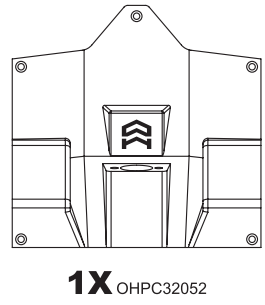
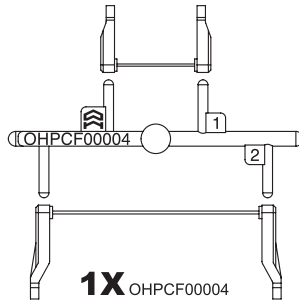
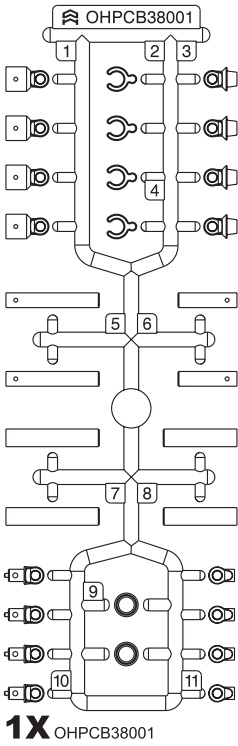
以下为 奥兰多汉特 笼架系列 **OH32X02 KIT** 所包含的所有零部件编号及数量对照表。  
 如组装或者使用过程中损坏或者丢失其中一些部件，可按照零部件编号购买相应的零部件用以替换。  
 如需要对模型进行改装及加装，也可按照所需要改装或加装的零部件的编号进行购买。

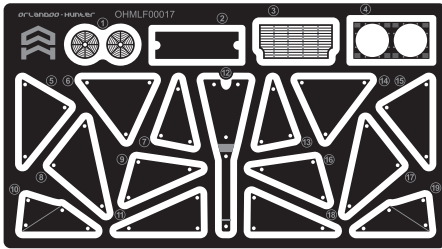
Following is the comparison table of all spare parts and numbers of the **ORLANDOO - HUNTER X-ROLL CAGE** Series **OH32X02 KIT** Model.

During the assembling, if some spare parts break or lost, you can according the number in the chart to buy a new one to replace it. If need remodel or adding, also can according the chart to buy some additional spare parts.

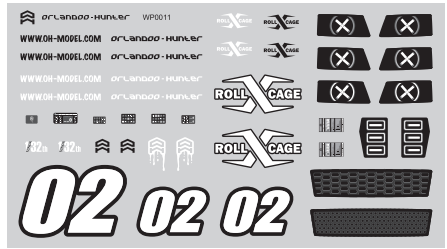


**OH32X02 KIT**





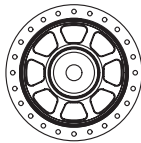
1X OHMLF00017



1X WP0011



1X OHMLF00017-B



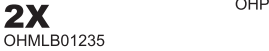
6X OHPVG34002



4X OHSE03117



6X OHTEC18002



2X OHMLB01235



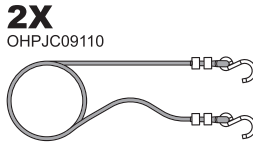
2X OHMLB01215



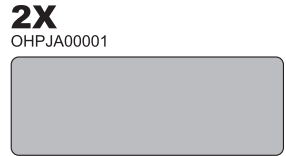
2X OHMLB01212



2X OHMLB01206



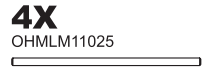
2X OHPJC09110



2X OHPJA00001



1X OHMLE20560



4X OHMLM11025



2X OHMLC20003



2X OHMLC20010



1X OHMLC31003



4X OHSW59160



4X OHPJB45280



1X OHMCB05160



1X OHMCB05080



1X OHMLM00835



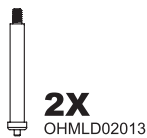
1X OHPJE00016



1X OHPJQ10050



2X OHMLD02009



2X OHMLD02013



2X OHMLD01013



2X OHMLD01017



4X OHBG20520



6X OHBG30620



2X OHSGA11002



2X OHSGA11003



2X OHSGA02002



2X OHSGA03008



2X OHSGA03009

**30X**  
 OHMLA20162

**10X**  
 OHMLA20260

**4X**  
 OHSW90102

**1X**  
 OHSW82002

**49X**  
 OHSW01002

**6X**  
 OHSW01005

**22X**  
 OHSW01203

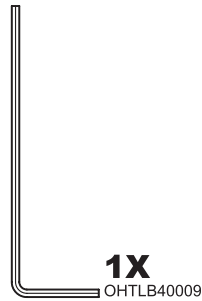
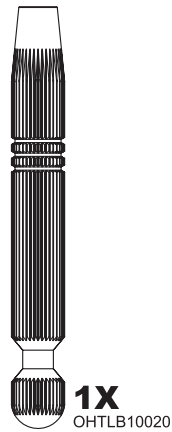
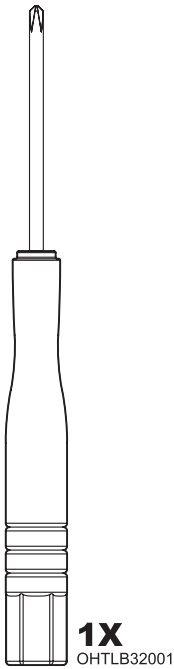
**16X**  
 OHSW01204

**3X**  
 OHSW01503

**6X**  
 OHSW11005

**2X**  
 OHSW11010

**2X**  
 OHSW11603



### 工具包内包含 TOOL CONTENTS

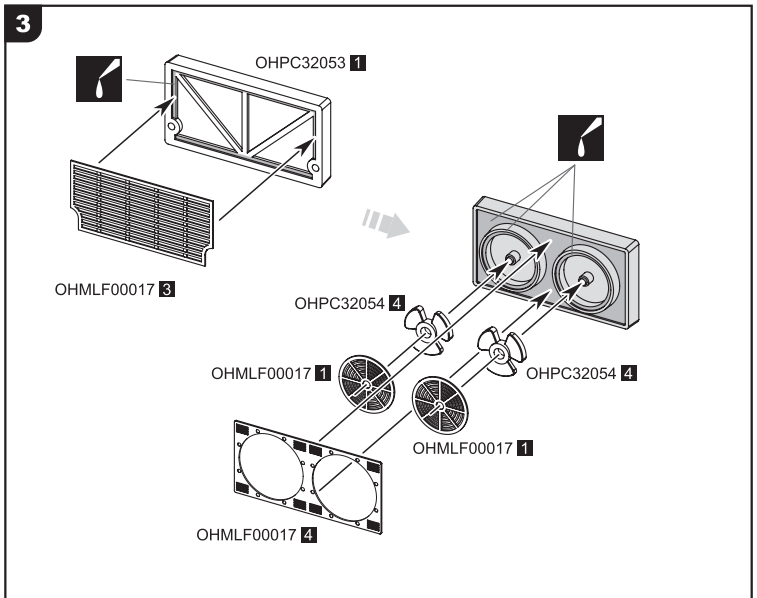
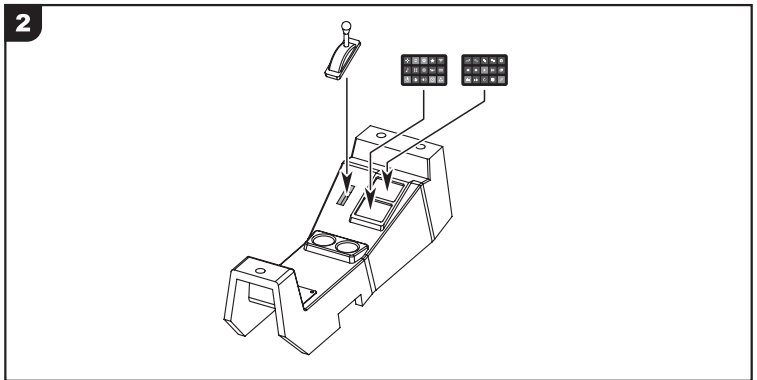
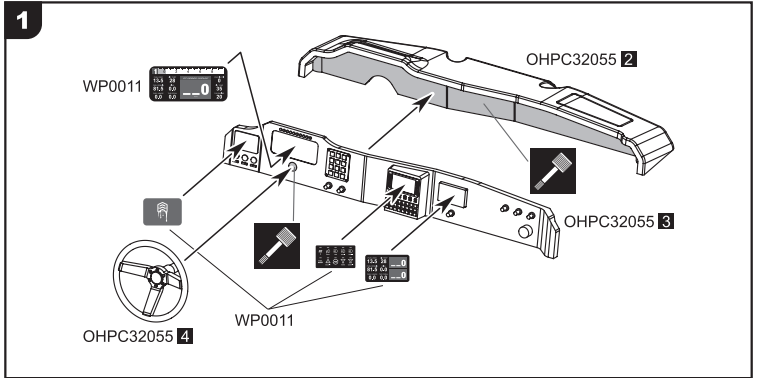
- |       |                              |
|-------|------------------------------|
| 十字螺丝刀 | Phillips Screwdriver         |
| 六角锁胎器 | Nut Driver                   |
| 内六角扳手 | "L" Type Hexagon Screwdriver |
| 双面减震垫 | Double Side Tape             |

以下图标将会出现在接下来的装配图中，请先了解图标的含义！  
 Following Icon will appear on the assembling chart, please understanding its meaning first !



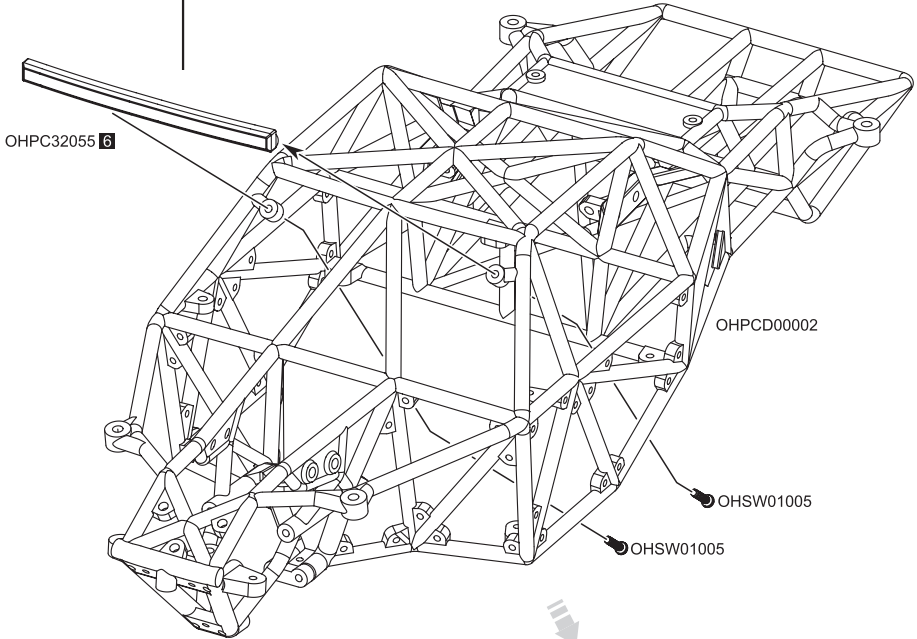
**A**  
打开包裹“A”


**B**  
打开包裹“B”

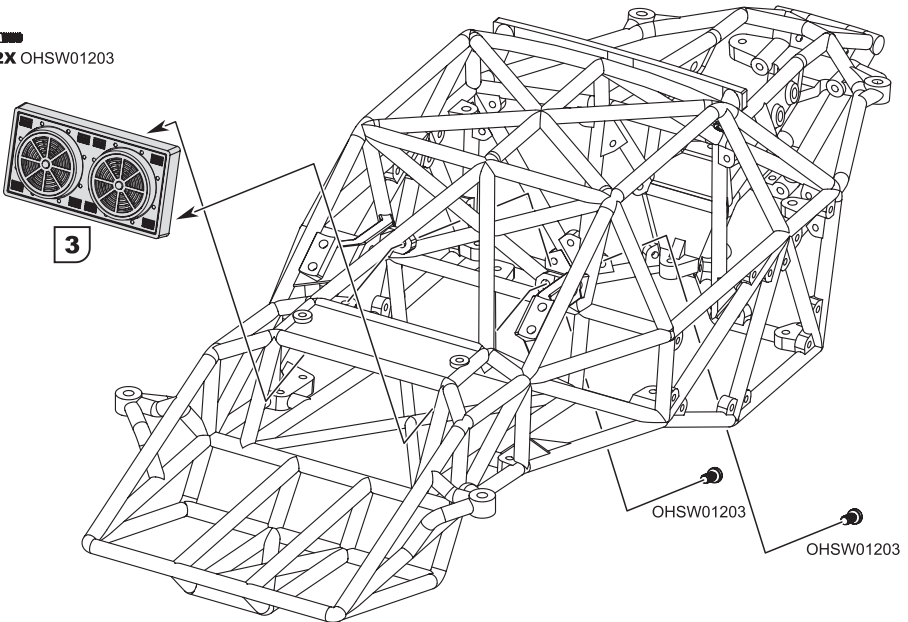


 **2X** OHSW01005

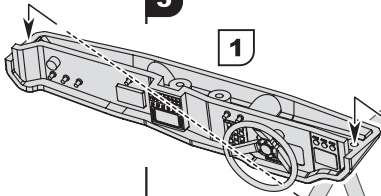
**4**



 **2X** OHSW01203



5



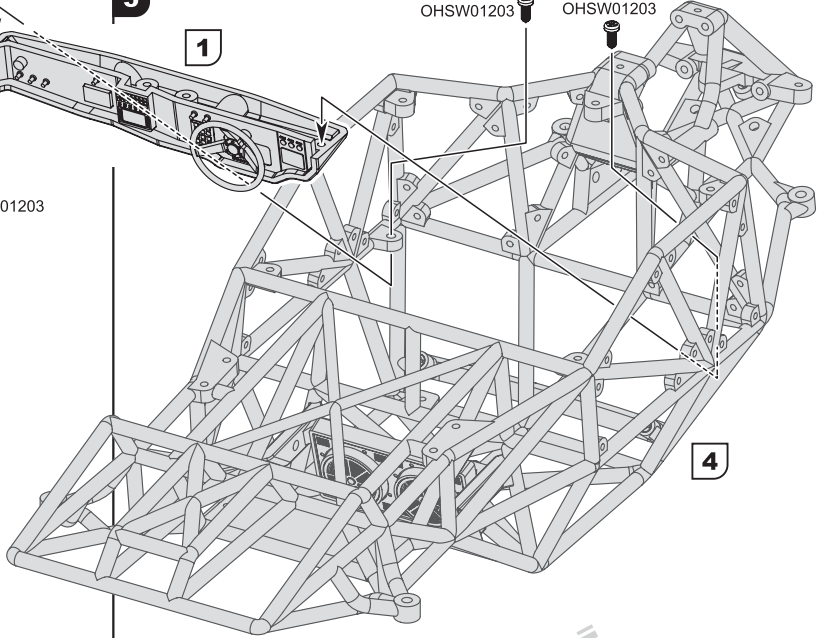
1

OHSW01203

OHSW01203



2X OHSW01203



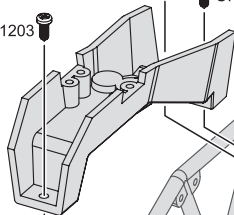
4

OHSW01203

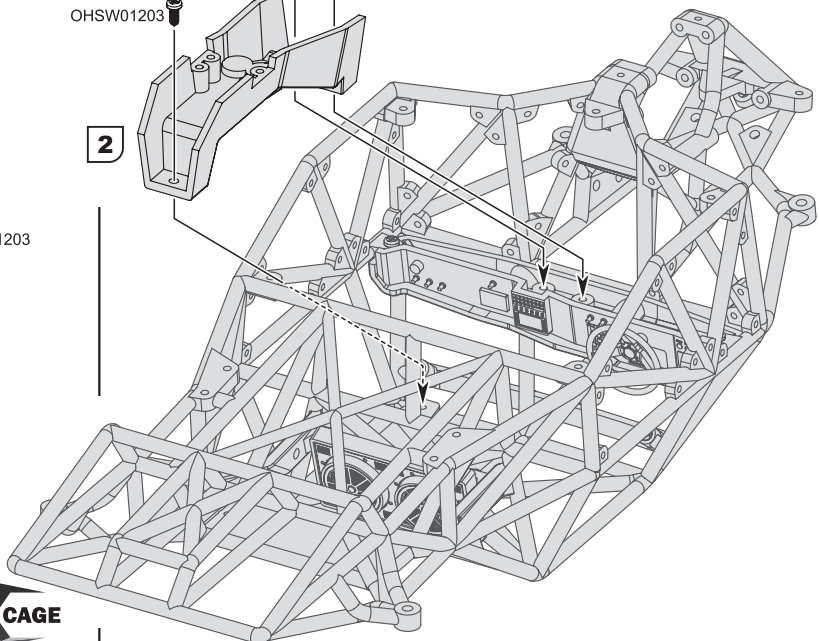
OHSW01203

OHSW01203

2



3X OHSW01203



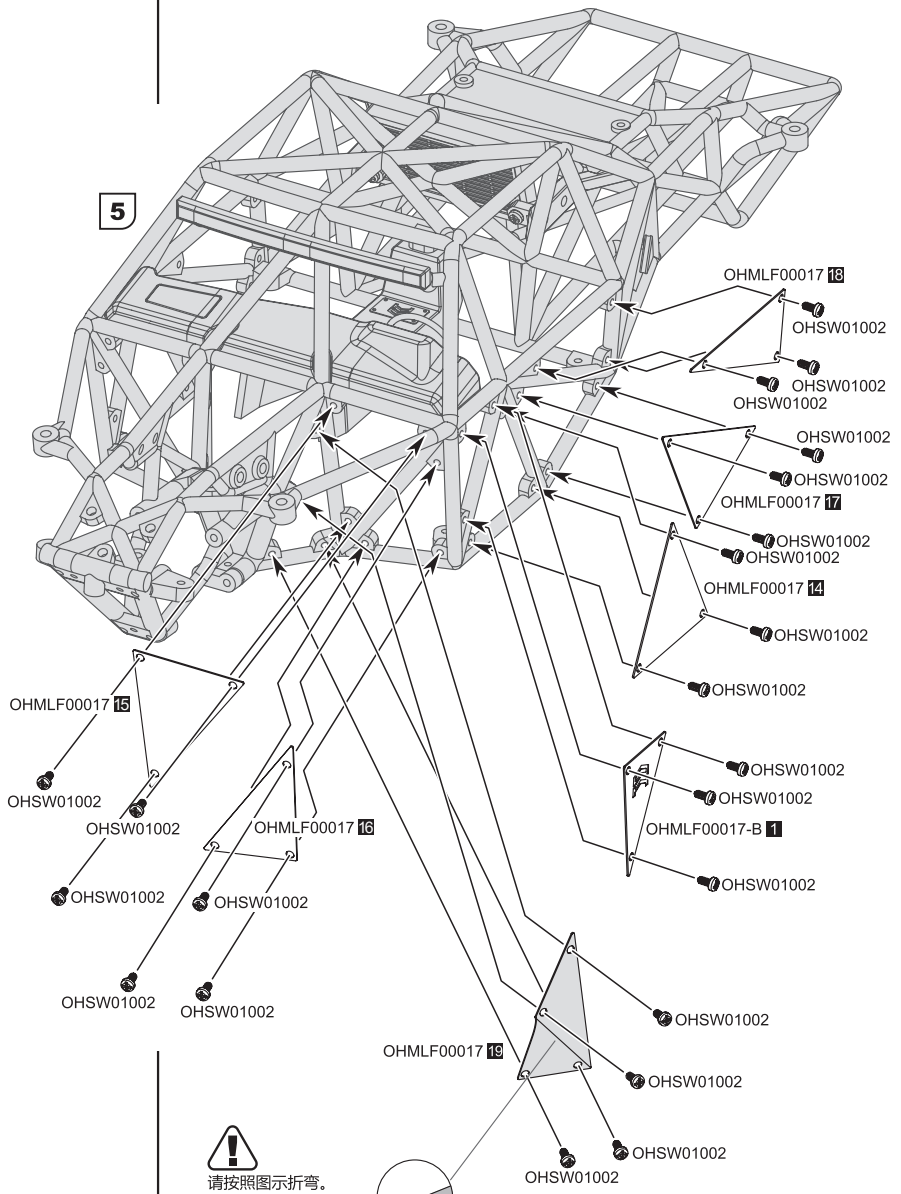
ROLL CAGE

OHS2X02 KIT



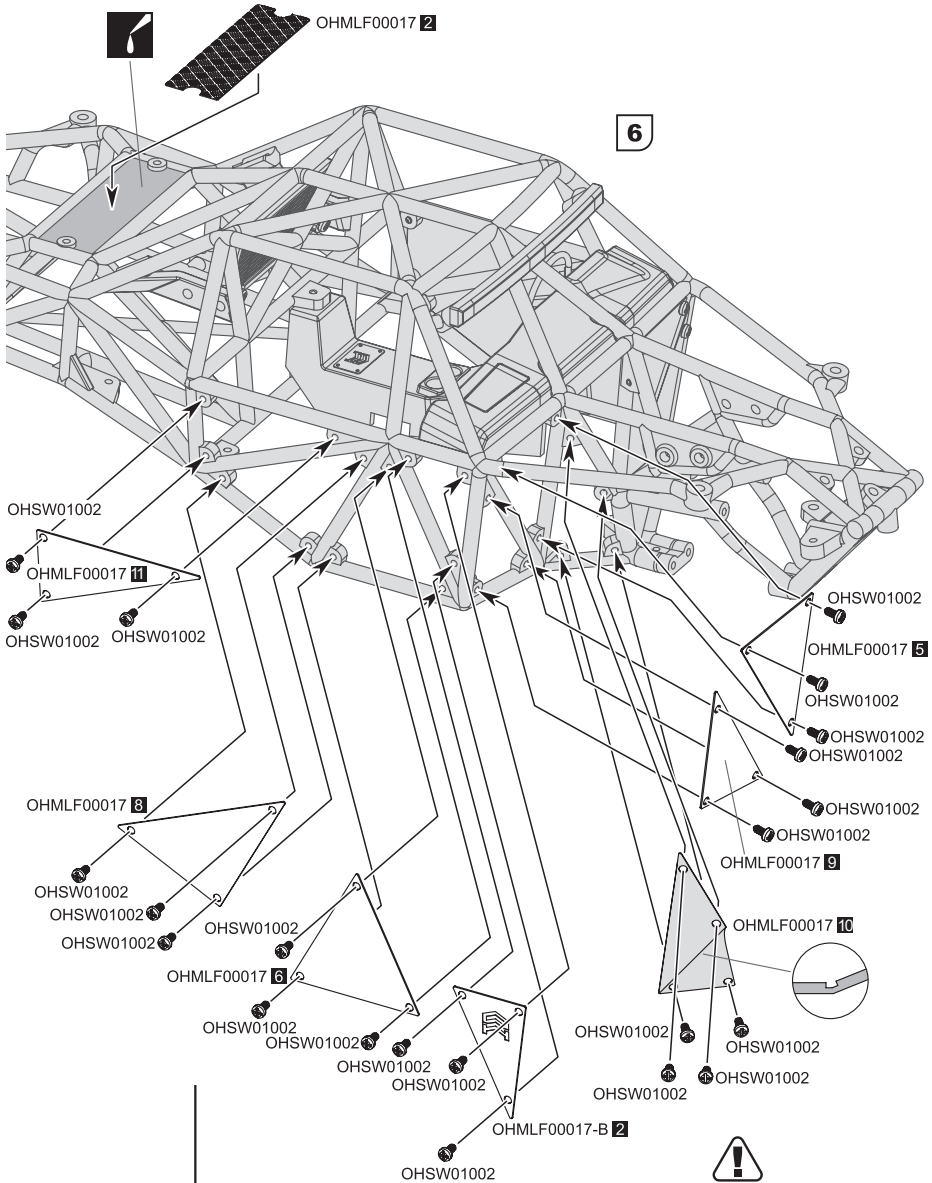
6

5



  
请按照图示折弯。  
Please bend the photo-etching parts as shown.

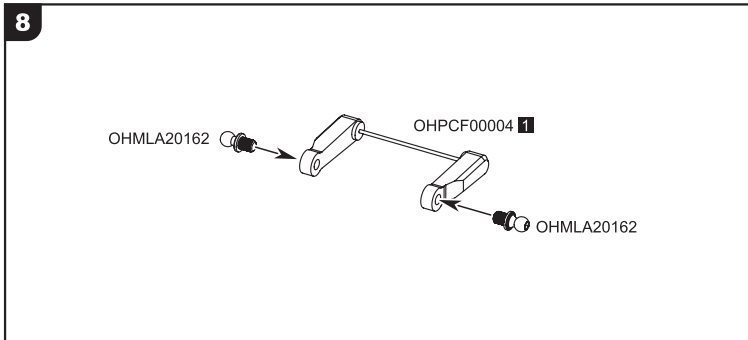




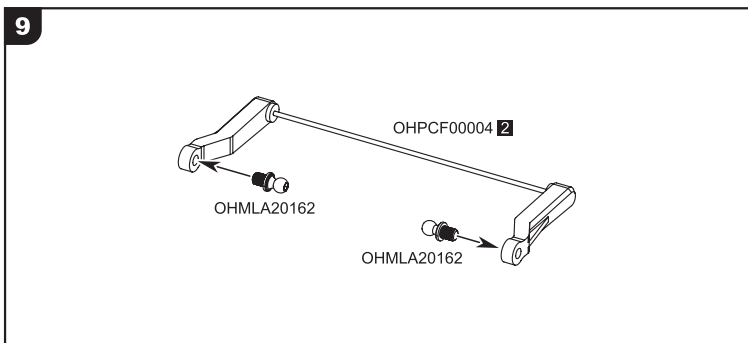
  
请按照图示折弯。  
Please bend the photo-etching parts as shown.

**C**  
 打开包裹“C”

 **2X** OHMLA20162

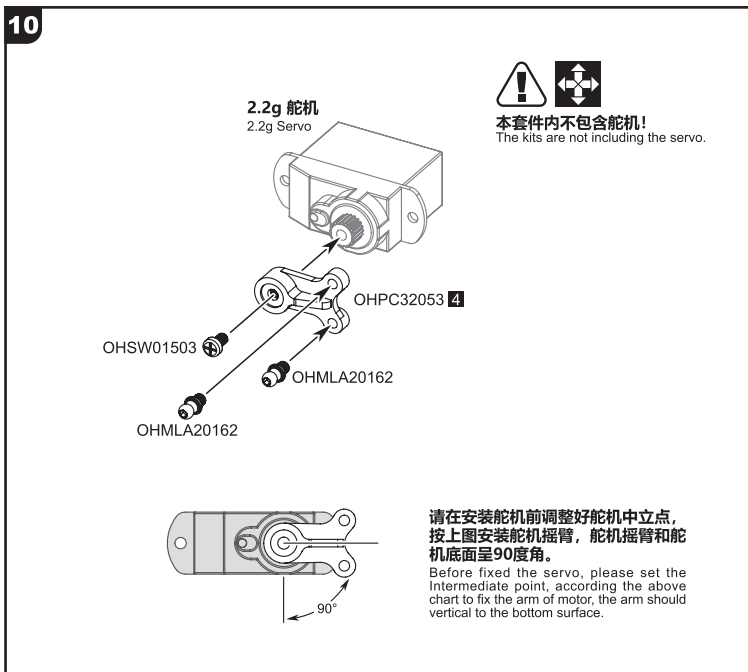


 **2X** OHMLA20162



 **1X** OHSW01503

 **2X** OHMLA20162





3X OHSW01204



4X OHMLA20162

11

7

OHWS01204  
OHWS01204  
OHWS01204  
OHMLA20162  
OHMLA20162

OHMLA20162  
OHMLA20162

8



2X OHSW01503

OHWS01503

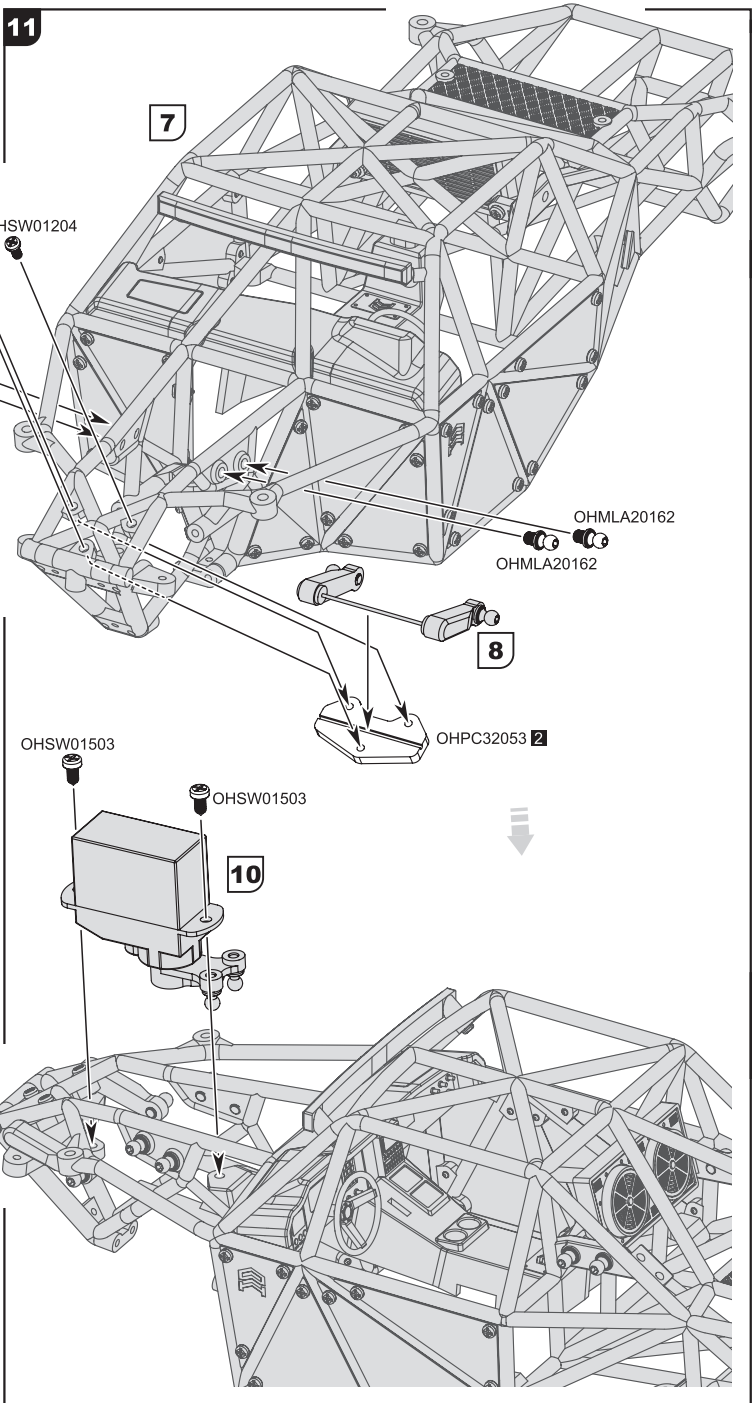
OHWS01503

10

OHPC32053 2



OH32X02 KIT

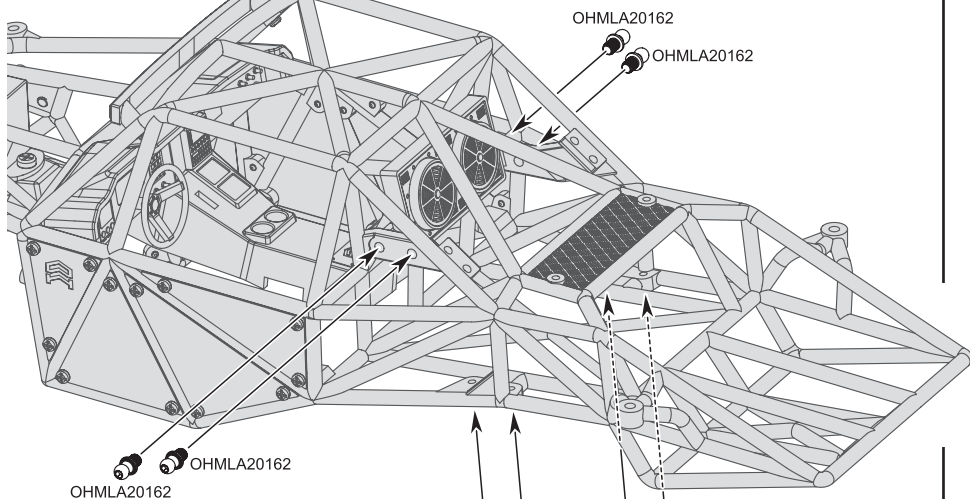


 **4X** OHSW01204

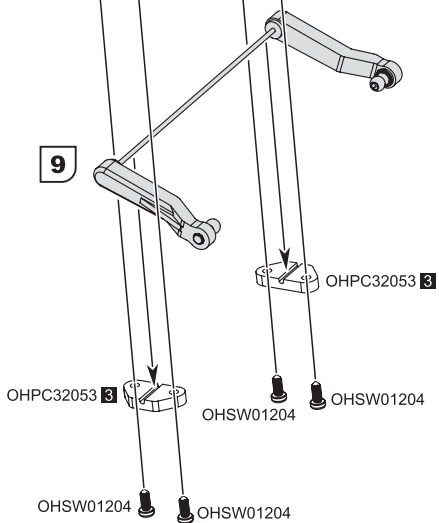
 **4X** OHMLA20162

**12**

**11**



**9**



13

4X OHMLM11025



OHMLF00017 2



根据间隙选择使用调节垫片!  
Use shims according to gap selection!

12

OHPCF20621 1

OHMLF00017-B 3

OHPCF20621 3

OHMLF00017-B 3

OHMLF00017-B 3

OHMLM11025

OHMLM11025

OHMLM11025

OHMLM11025

OHMLF00017-B 3

OHPCF20621 2

OHMLF00017-B 3

OHMLF00017-B 3

OHPCF20621 4

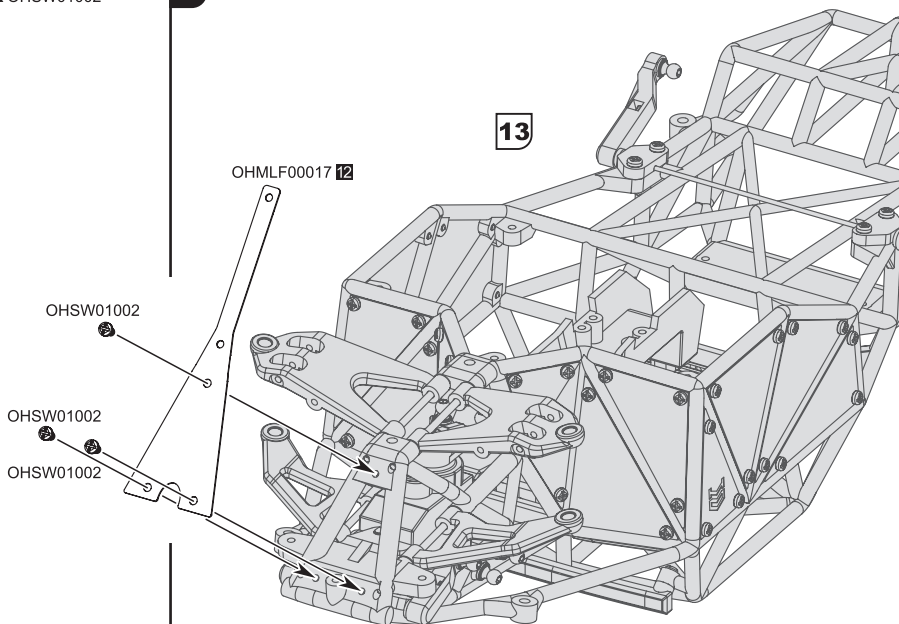
OHMLF00017-B 3



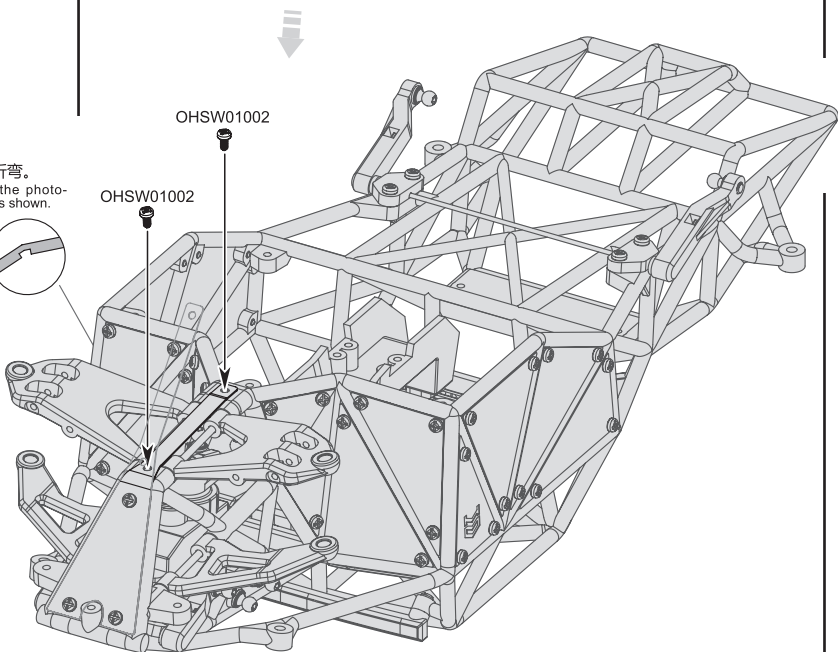
OH32X02 KIT

5X OHSW01002

14

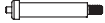


请按照图示折弯。  
Please bend the photo-etching parts as shown.





2X OHSGA11002

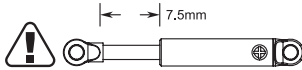


2X OHMLD02009

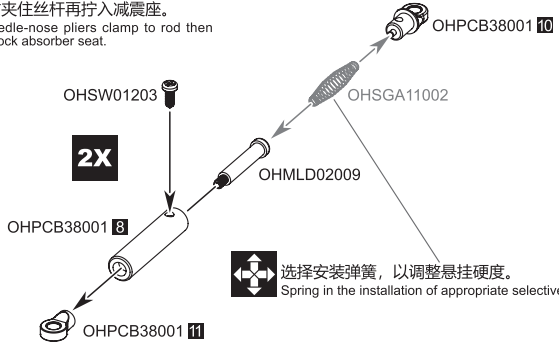


2X OHSW01203

15



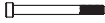
请调整减震距离约为7.5mm。  
Please adjust the distance between shock absorber.  
请使用尖嘴钳夹住丝杆再拧入减震座。  
Please use Needle-nose pliers clamp to rod then twist into the shock absorber seat.



选择安装弹簧，以调整悬挂硬度。  
Spring in the installation of appropriate selective.



2X OHSGA02002

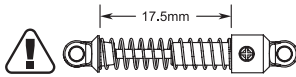


2X OHMLD01013



2X OHSW01005

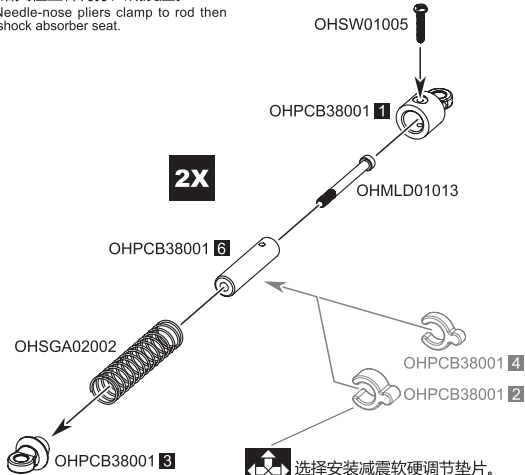
16



请调整减震距离约为17.5mm。  
Please adjust the distance between shock absorber.  
请使用尖嘴钳夹住丝杆再拧入减震座。  
Please use Needle-nose pliers clamp to rod then twist into the shock absorber seat.



螺丝请勿拧入过紧，过紧可能导致减震筒身变形，导致顺滑度降低！  
Do not twist the screw too tight, if too tight will cause the deformation of the shock absorber tube!






选择安装减震软硬调节垫片。  
Gaskets in the installation of appropriate selective.

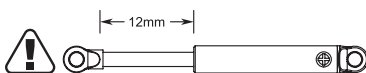


OH32X02 KIT

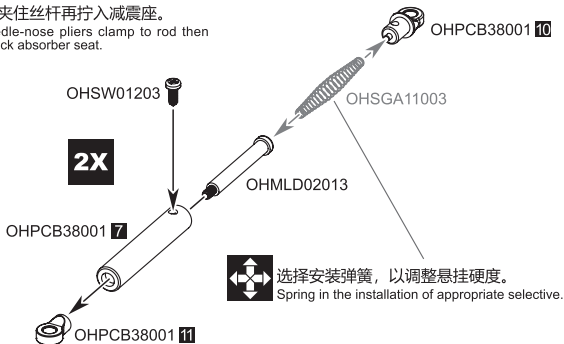


-  **2X** OHSGA11003
-  **2X** OHMLD02013
-  **2X** OHSW01203



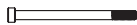

**17**



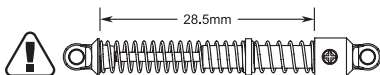
请调整减震距离约为12mm。  
 Please adjust the distance between shock absorber.  
 请使用尖嘴钳夹住丝杆再拧入减震座。  
 Please use Needle-nose pliers clamp to rod then  
 twist into the shock absorber seat.




 选择安装弹簧，以调整悬挂硬度。  
 Spring in the installation of appropriate selective.

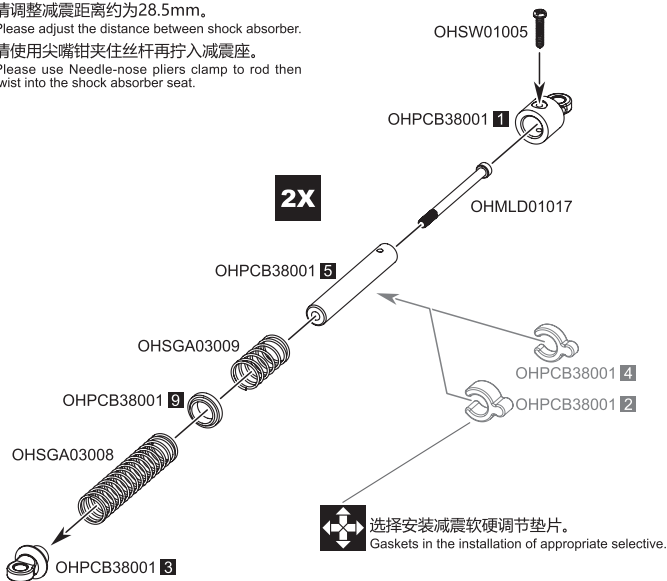
-  **2X** OHSGA03009
-  **2X** OHSGA03008
-  **2X** OHMLD01017
-  **2X** OHSW01005

**18**



请调整减震距离约为28.5mm。  
 Please adjust the distance between shock absorber.  
 请使用尖嘴钳夹住丝杆再拧入减震座。  
 Please use Needle-nose pliers clamp to rod then  
 twist into the shock absorber seat.

 **警告!**  
 螺丝请勿拧入过紧，过紧可能导致  
 减震筒身变形，导致顺滑度降低!  
 Do not twist the screw too tight, if too  
 tight will cause the deformation of the  
 shock absorber tube!



 选择安装减震软硬调节垫片。  
 Gaskets in the installation of appropriate selective.

2X OHMLB01206


**19**

OHPCA20124 **2X**

OHMLB01206

OHPCA20124

0mm



**!** 装配后请测量平面至平面距离约为0mm，两端拉杆头保持平行。  
After assembling, please measure the distance between planes should be about 0mm. Both two rod ends should keep parallel.

2X OHMLB01212


**20**

OHPCA20124 **2X**

OHMLB01212

OHPCA20124

5mm



**!** 装配后请测量平面至平面距离约为5mm，两端拉杆头成90度角。  
After assembling, please measure the distance between planes should be about 5mm, both two rod ends should be 90 degree.

2X OHMLB01215


**21**

OHPCA20124 **2X**

OHMLB01215

OHPCA20124

10mm



**!** 装配后请测量平面至平面距离约为10mm，两端拉杆头保持平行。  
After assembling, please measure the distance between planes should be about 10mm. Both two rod ends should keep parallel.

2X OHMLB01235


**22**

OHPCA20124 **2X**

OHMLB01235

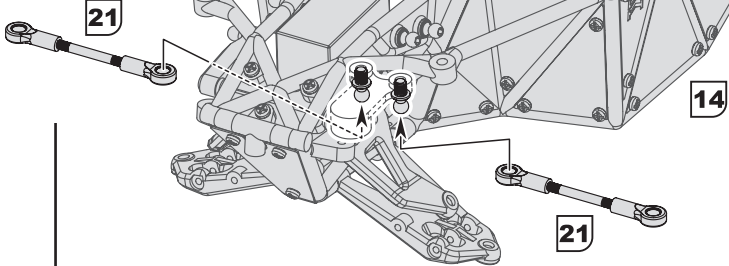
OHPCA20124



29mm

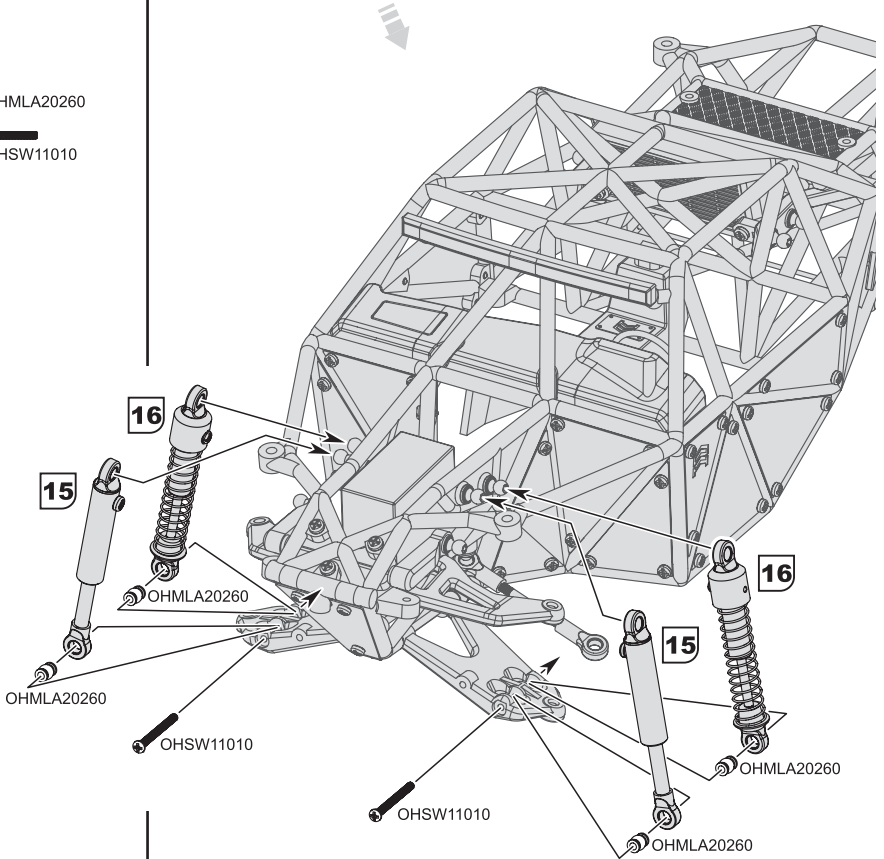


**!** 装配后请测量平面至平面距离约为29mm，两端拉杆头保持平行。  
After assembling, please measure the distance between planes should be about 29mm. Both two rod ends should keep parallel.

**23**



-  **4X** OHMLA20260
-  **2X** OHSW11010



OHMLA20260

OHSW11010

OHSW11010

OHMLA20260

OHMLA20260



2X OHMLC20010



4X OHBG30620



2X OHMLA20260

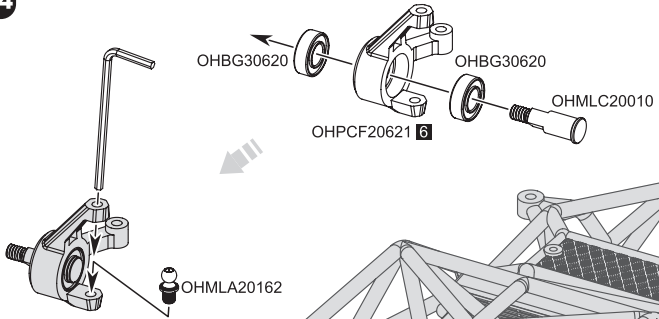


6X OHMLA20162

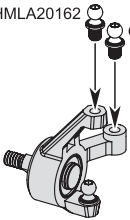


2X OHSW11005

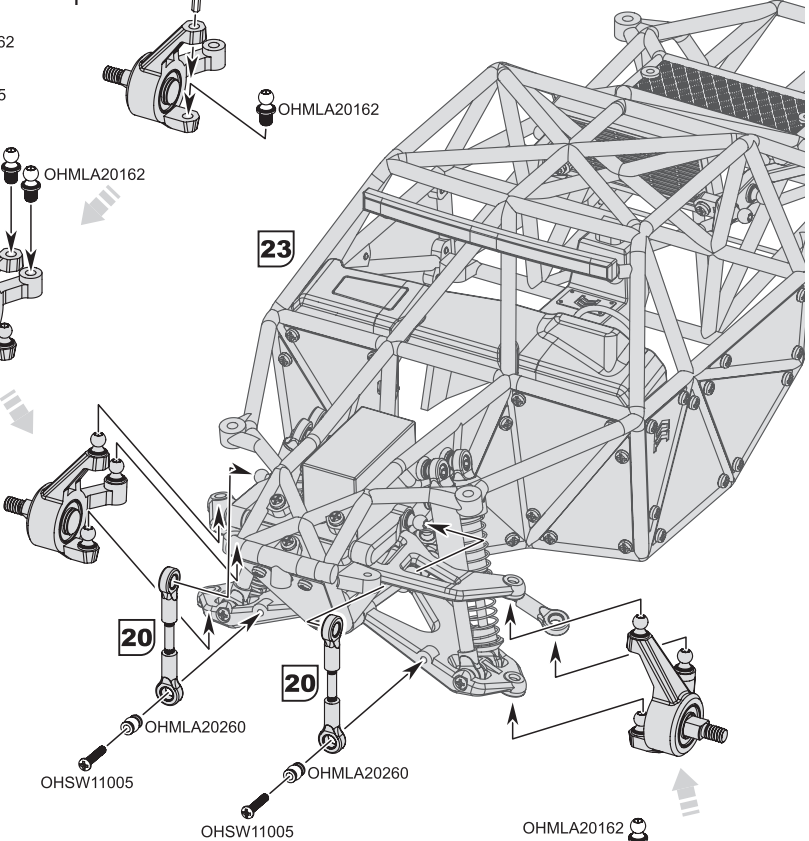
24



OHMLA20162  
OHMLA20162



23

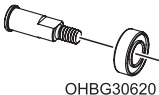


20

20

OHMLC20010

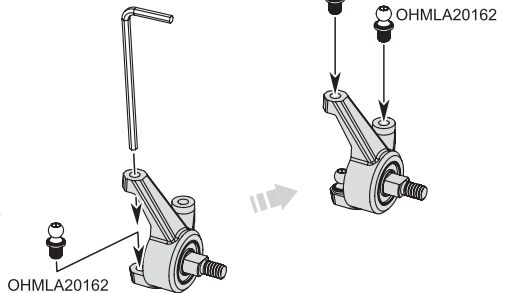
OHPCF20621 5



OHBG30620

OHBG30620

OHMLA20162



**ROLL CAGE**

**OH32X02 KIT**

**D**

打开包裹“D”



**1X** OHMLC31003



**4X** OHMLA20162



**2X** OHSW11603

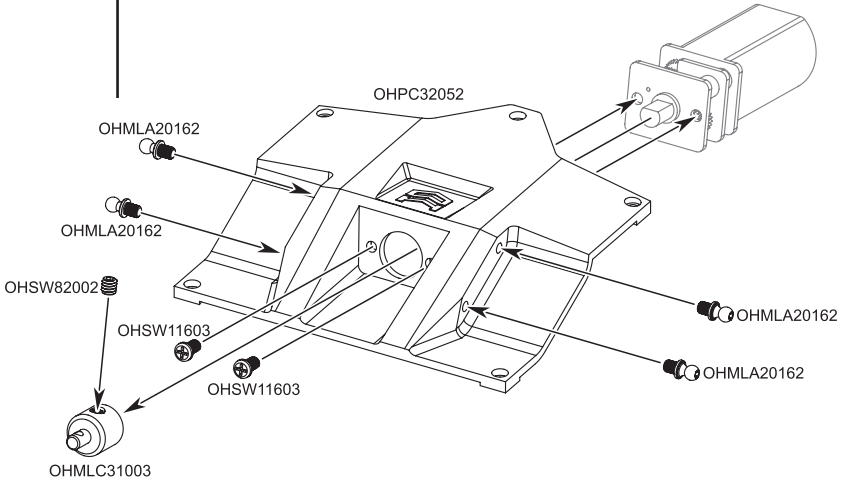


**1X** OHSW82002

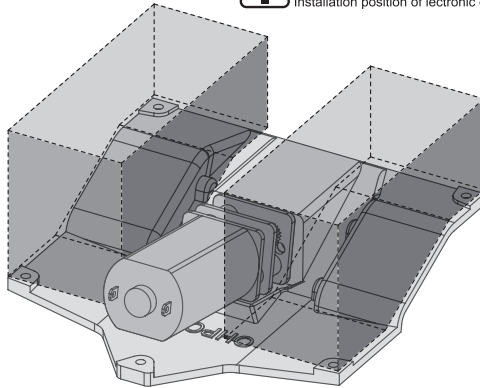
**25**



本套件内不包含电机!  
 减速电机减速组尺寸为12mm\*10mm\*9mm,  
 电机最长限制为21mm,  
 减速组输出轴径为3mm 轴长4.5mm。  
 The kits not included any motor!  
 The decelerate size is 12mm\*10mm\*9mm,  
 The max length of motor is 21mm,  
 The deceleration group output shaft diameter is 3mm,  
 shaft length is 4.5mm.



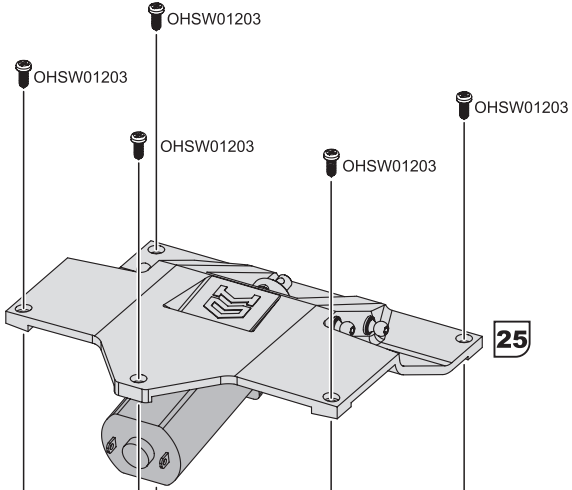
电子设备安装区域!  
 Installation position of electronic equipment !



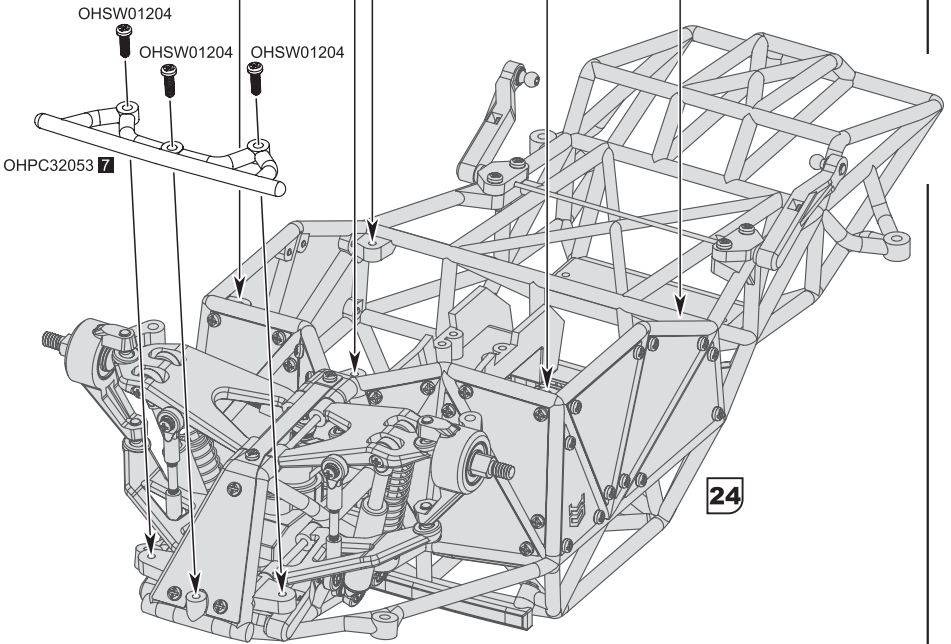
5X OHSW01203

3X OHSW01204

**26**



**25**



**24**

27

1X OHMLE20560



1X OHMCB05160



1X OHMCB05080

1X OHMLM00835



1X OHPJE00016

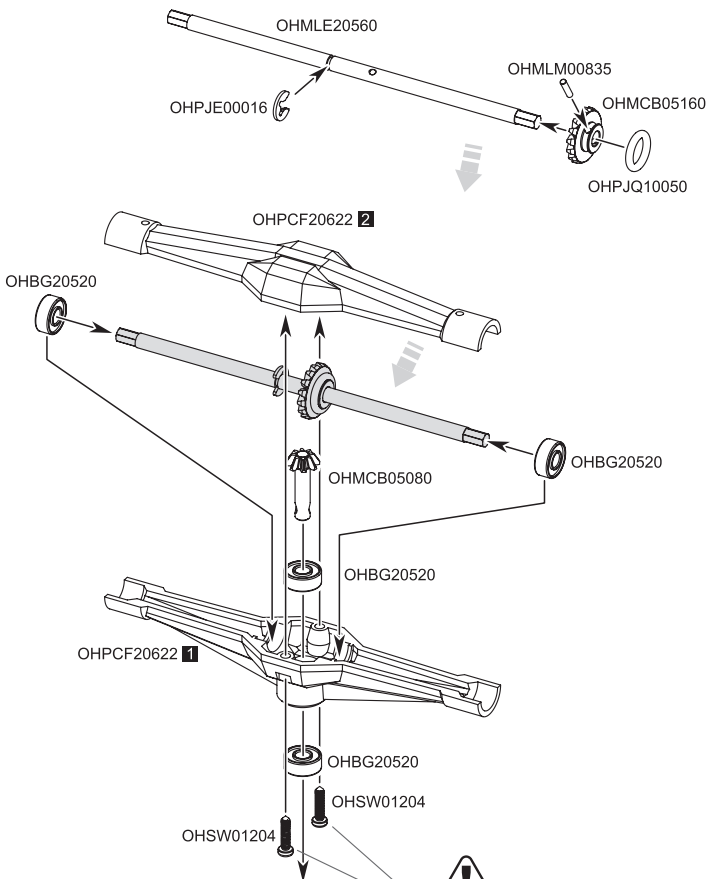


1X OHPJQ10050



4X OHBG20520

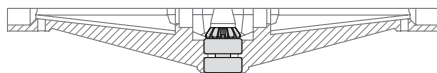
2X OHSW01204



螺丝不要拧的太紧!  
 Do not twist the screw too tight!



轴承嵌入后保持平整及到位!  
 After bearing embedded remain  
 flat and in place!





2X OHMLC20003



2X OHBG30620



6X OHMLA20162

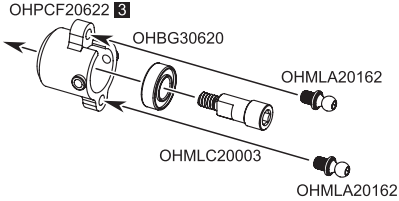
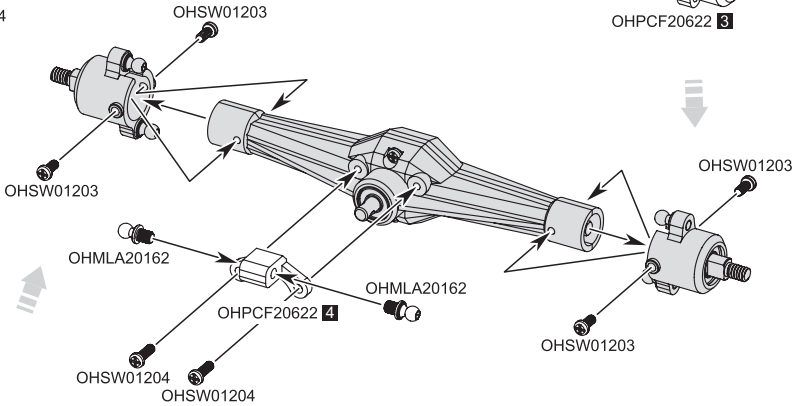
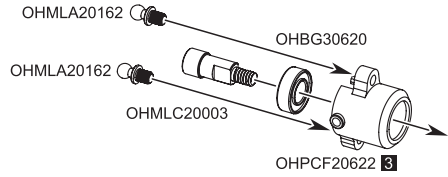


4X OHSW01203



2X OHSW01204

28





注意零件方向!  
Pay attention the direction  
of the spare parts!

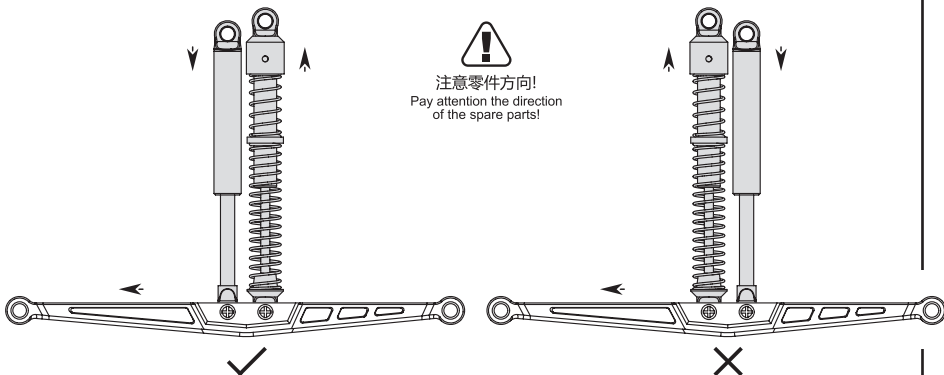
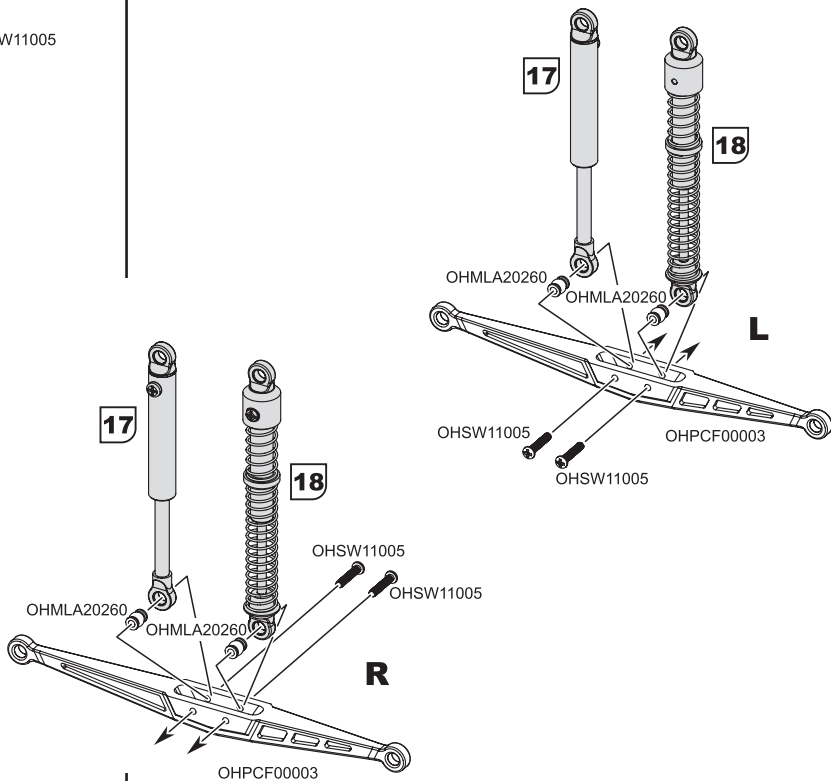


OH32X02 KIT

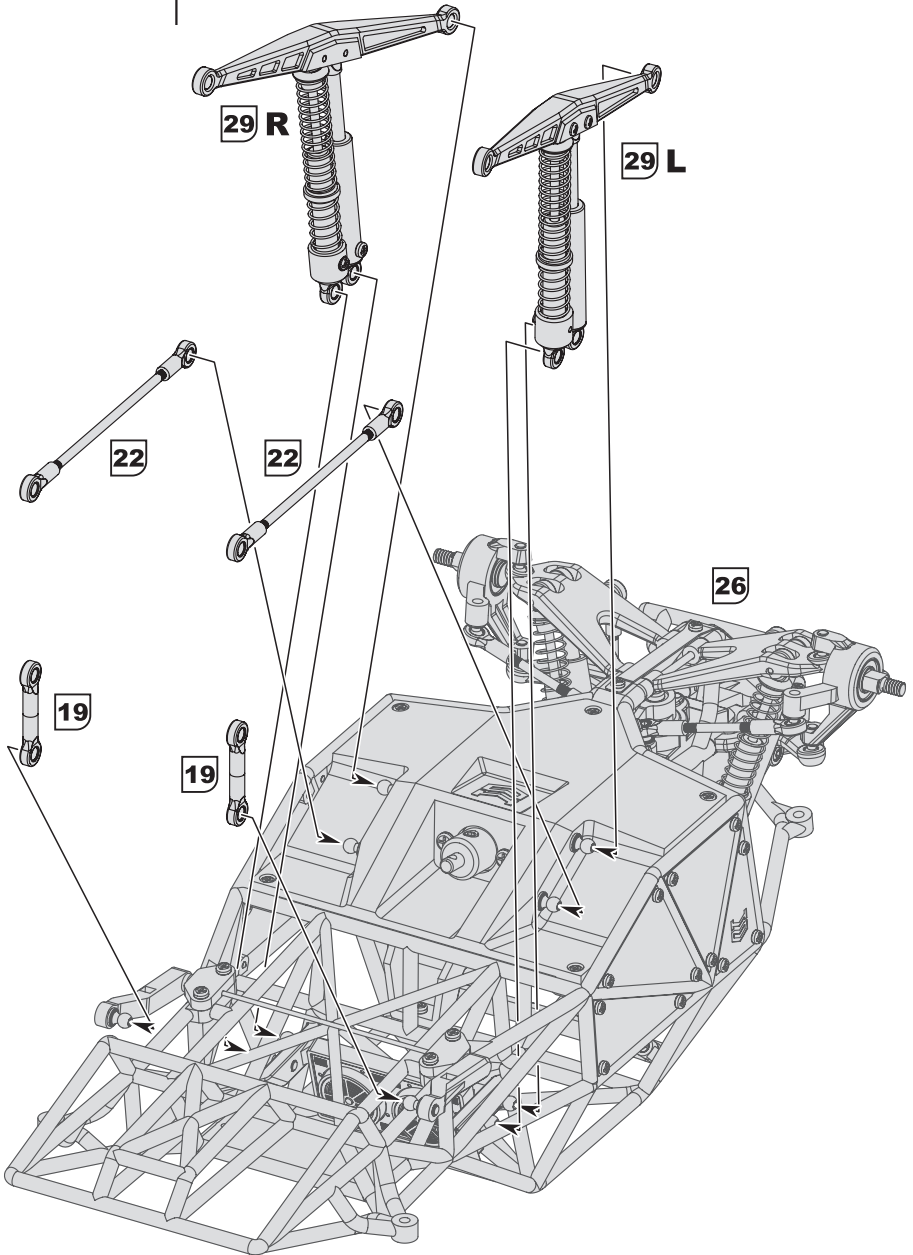


 **4X** OHMLA20260  
 **4X** OHSW11005

**29**

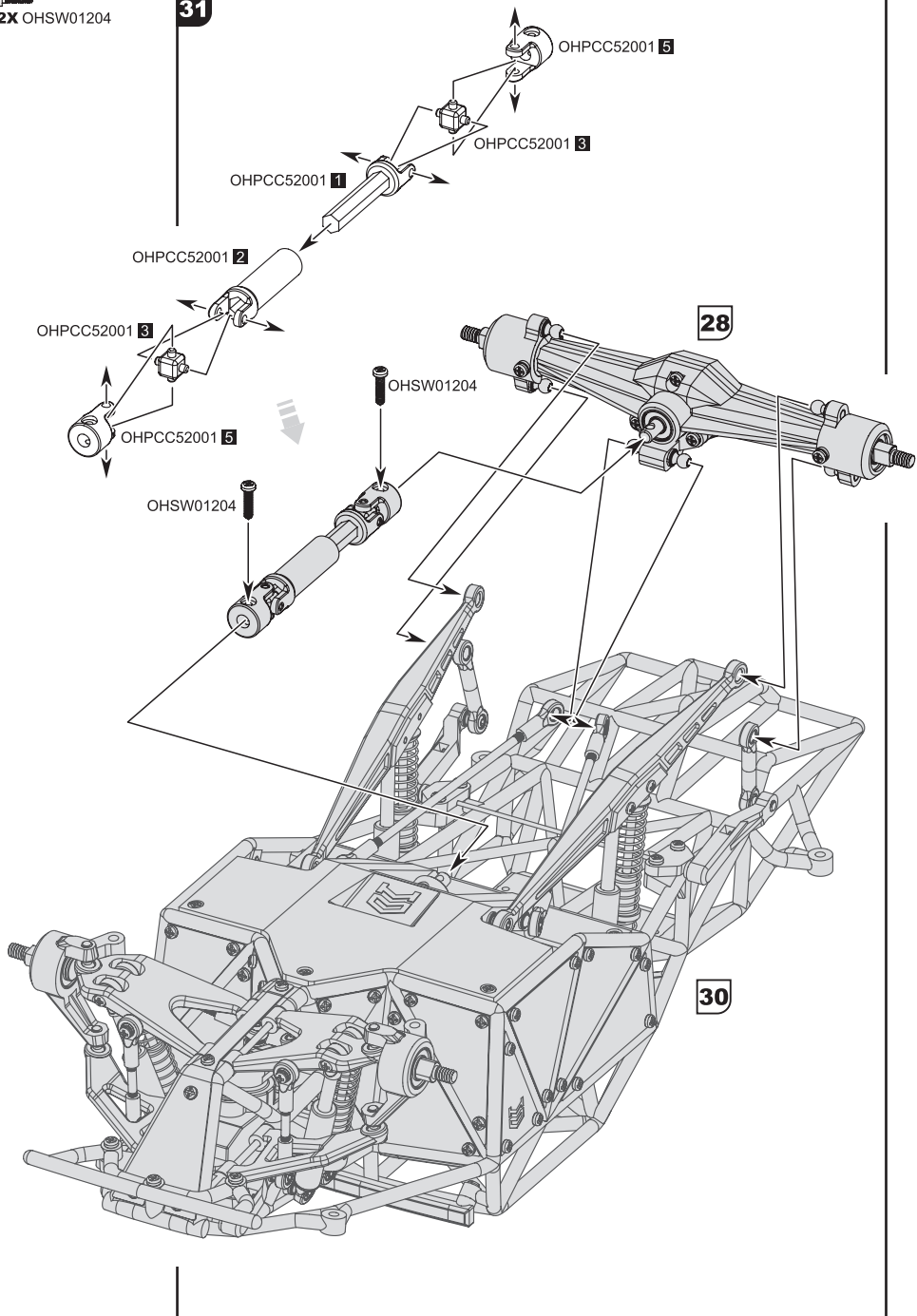


30



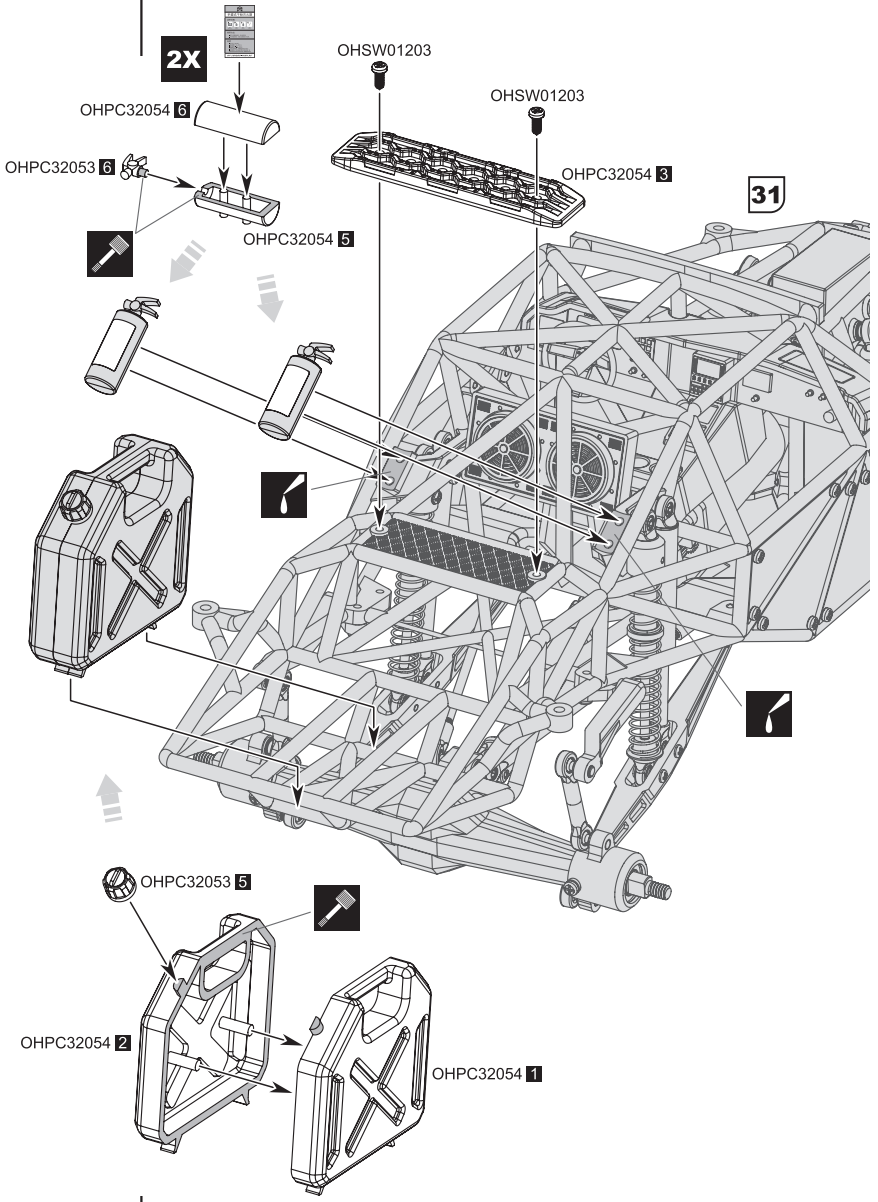
**2X** OHSW01204

**31**



**2X** OHSW01203

**32**



**E**

打开包裹“E”



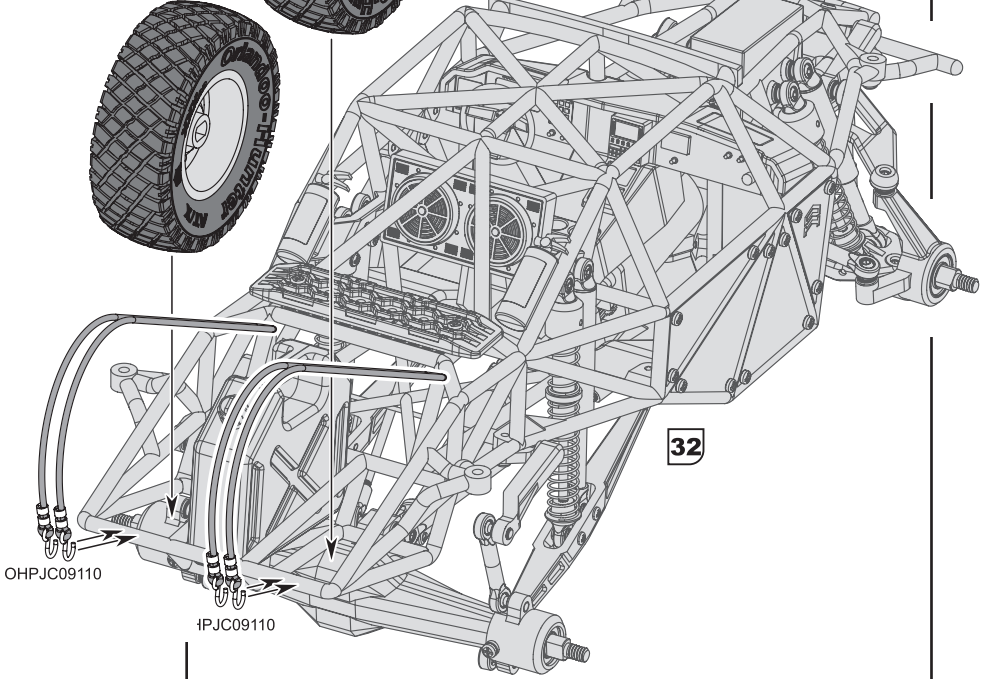
2X OHPJC09110

**33**

OHTEC18002

**2X**

OHPCG34002



OHPJC09110

OHPJC09110

**32**

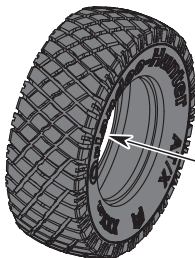
**34**

OHSE03117

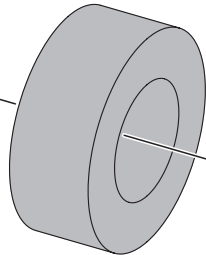
**4X**



OHPCG34002



OHTEC18002





4X OHSW59160

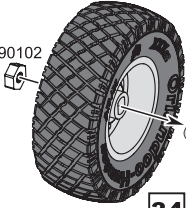


4X OHSW90102

35

OHSW59160  
OHSW59160

OHSW90102



34

33

34

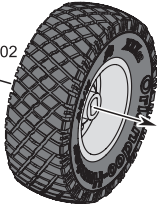
OHSW90102

33

OHSW59160  
OHSW59160

34

OHSW90102



34

OHSW90102



OHS2X02 KIT



4X OHPJB45280

**36**

Orlando - Hunter



OHPJB45280

OHPJB45280

OHPJB45280

OHPC32056

OHPJB45280

Orlando - Hunter

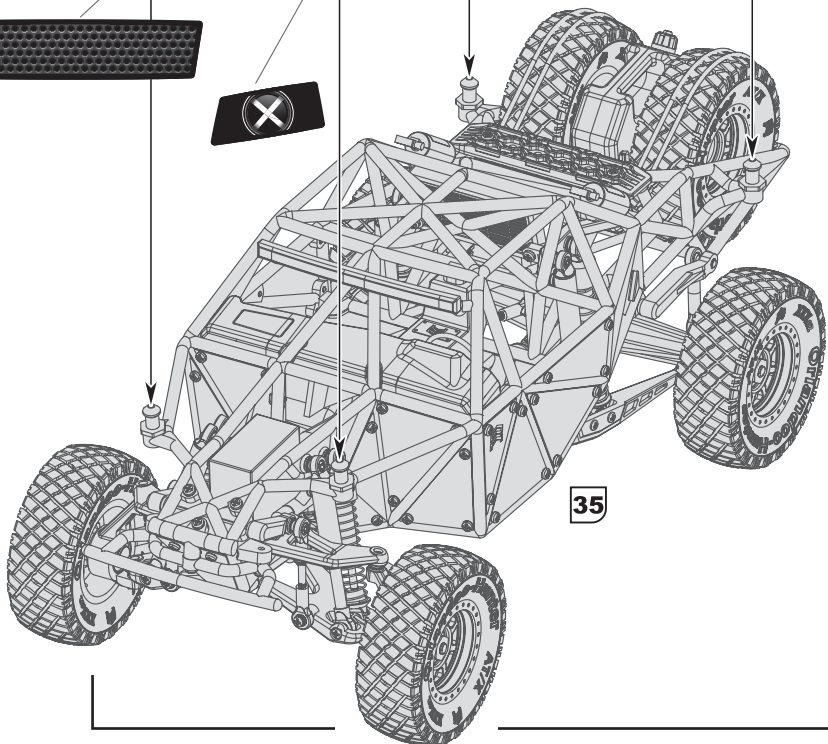
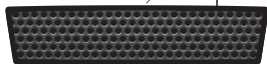
**02**

WWW.OH-MODEL.COM

**02**

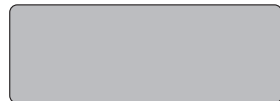
**02**

WWW.OH-MODEL.COM



**35**

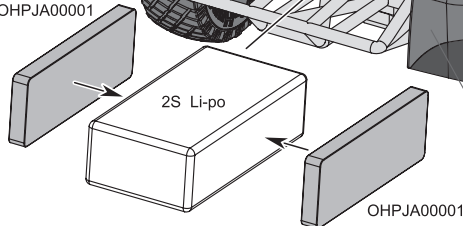
37



2X OHPJA00001



OHPJA00001



OHPJA00001



本套件内不包含锂电池!  
The kits are not including the Li-po!

36

## 车桥/轴距调整 AXLE / WHEELBASE ADJUSTMENT

组装完毕后，如未发现车桥有明显扭曲或偏向一侧，请跳过这一步骤！如发现车桥有严重扭曲或偏向一侧，按照以下说明进行调整！调整方法：取下拉杆，顺时针拧动拉杆头为缩短拉杆长度，反之增加拉杆长度！

After assembling, if you not found any deformation or offset to one side of axle, please skip this step! If you found any deformation or offset to one side of axle, then according the instructions to adjust it!

Adjustment method: take out the rod, and twist the head of rod in clockwise direction to make the rod shorter, on the contrary will make the rod longer!

首先检查车桥是否向一侧偏移。

如向左侧偏移，请缩短右侧上拉杆或增加左侧上拉杆的长度！反之逆向调整！

Check whether axle is offset to one side, if offset to the left, please shorten the rod on the right or increase the length of the lever on the left side! Or adjustment on the contrary!

后桥输出轴和平面的倾斜角度约为5度，角度过大或过小可能会增加轴效应，导致模型运行不流畅。

如角度过大，请缩短上拉杆的长度；如角度过小，请增加上拉杆的长度。

The inclination angle of the rear axle between the output shaft and the plane was about 5 degrees, angle is too large or too small may increase shaft effect, and will also cause the model to run not smooth.

If the angle is too large, shorten the length of the upper rod; If the angle is too small, Increase the length of the upper rod.

## 配重/重心调整 COUNTERWEIGHT / WEIGHT ADJUSTMENT

模型加入设备后重心位置会发生改变，可在底盘上增加配重来达到前后左右的平衡，配重物放置位置越低，则车辆稳定性越好。

您还可购买轮毂配重环增加两个备胎的重量，或使用软铅丝或焊锡丝在轮毂和胎皮之间均匀缠绕达到配重效果，注意左右两侧轮胎配重要一致。备胎配重后，行进起伏路面时车辆姿态更加仿真！

Gravity position will be changed after the model was added equipment, you can add the balance weight the chassis to achieve equilibrium around. The lower placement of balance weight, the vehicle stability will be better.

You can also buy the wheel hub balance weight to increase the weight of the two spare tires, or use a soft lead wire or solder between the hub and the tire cover wound achieve uniform weight effect.

Please note that the weight between left and right sides of the tire should be same, after the wheel hub the counterweight, the vehicle center of gravity will be lower. When the vehicle travelling the rough road, the twist much more like real vehicle, stable performance!