

感谢您购买 奥兰多汉特 卡车系列 **0132th KIT** 模型。  
请您务必仔细阅读说明书，根据说明书的提示来帮助您完成您的模型。  
本套件为KIT散件版本，需要您动手组装上色及调试。

Thanks for choosing **ORLANDO - HUNTER TRUCK Series 0132th KIT** model. Please read our instructions carefully, and following our instructions to help you finish assembling the model. The kits are parts, need assembling, painting and debugging by yourself.

本套件不含电子设备，您至少还需购买：

The kits are not including the following parts which you need to buy:



发射机 Transmitter 接收器 Receiver 调速器 Mini ESC 减速电机 Motor 2.2g 舵机 2.2g Servo 锂电池 Li-po 充电器 Charger

您还需要购买涂料、遮盖胶带、流缝胶、美工刀等工具辅料，来协助您完成您的模型。

Besides, in order to finish your model, following Supplementary material you also need to buy: Coating, Masking Tape, Seam Glue, Utility Knife.



涂料 Coating 遮盖胶 Masking Tape 流缝胶 Seam Glue 美工刀 Utility Knife

您还可以升级"D4L"2.4Ghz 4合1遥控套装，其内置了接收机、有刷电机调速器、声音模拟器和多功能联动灯组功能（灯组包含：大灯、辅助灯、转向/双闪灯、刹车灯、倒车灯），使模型更仿真。还可选择轮毂配重环，降低整车重心，提高姿态仿真。

Upgrade D4L 2.4Ghz, that's 4 and 1 remote control suits.

The built-in ESC inside the receiver, Also sound simulator, Remote control receiver and light group (contain: Headlight, Auxiliary light, Turn light, Brake light, Reverse light.) That make the model more realistic.

You also choose Balance Weight, Reducing the center of gravity of the whole vehicle and improving the simulation of attitude.



## 警告 WARNING

### 本套件不适合14岁以下使用！

The kits are not suitable for child under 14 years old!

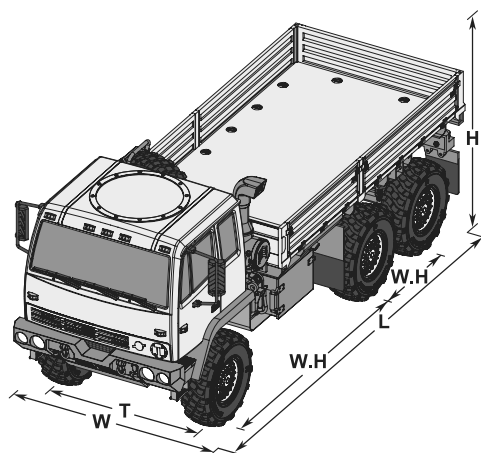


套件内含大量微小零件，若儿童吸入或误食，可能会导致窒息等危险！请务必放置于儿童不易接触的地方！

The kits including many mini parts, if the child inhalation or mistake eaten, can cause choking or other serious hazard!

Please be sure put the model at the place where child can not touch it!

SIZE 132th



### 尺寸/参数 SIZE / DATA

长度 L	宽度 W	高度 H	轮距 T	轴距 W.H
223mm	75mm	93mm	64mm	112+40

## 注意 CAUTIONS

组装完成后的模型内含有高减速比齿轮及微型传动系统，请不要尝试使用一切外力强制推动汽车模型。这将可能损坏传动系统及齿轮组件！

模型内含有微型连接件及外观仿真件，请防止高空坠落或挤压模型。这将可能损坏微型部件及外观零件！

请勿将模型长时间放置于阳光下，这将可能加速塑料及橡胶的老化！

After finish assembling the model, please do not use any large strength to push the model, since the inside have high reduction ratio gearwheel and mini transmission system, if do will cause the transmission system be damaged!

Since the model have the mini connection parts and simulation parts inside, please avoid the model be altitude fall or squeezed, otherwise, it will cause the damage of mini connection parts and simulation parts!

Please do not put the model in the sun at long time, otherwise, it will accelerate aging of the plastic and rubber parts!

## 警告 WARNING

套件内用于包装的塑料袋使用后请及时收好，或者丢弃在可回收垃圾桶内。请勿让儿童当做玩具，可能会导致窒息危险！

The plastic bag of kits, after using please promptly put away or throws into the recyclable rubbish bin, If get by child, might have choking hazard!

## 提示 TIPS

在开始组装前，请先准备好所需要用到的工具，按照说明书左侧提示打开相对应的包裹（不要将所有零件包全部打开或全部取出，以免弄混或者丢失），取出相对应的零件（只需要取出左侧标注的零件数量）。因个别零件尺寸比较小，特别是螺丝等小零件，非常容易丢失，使用小盘子、小盒子等来放置待组装的小零件，能有效防止其丢失。

取出零件后如发现毛刺或飞边的，请先用美工刀进行修整，再用砂纸打磨光洁后进行组装。进行这一步骤后将对组装完成后运行的流畅性和美观性有进一步提升。

组装小零件时注意控制力度，以免损坏零件或使零件掉落而丢失。

Before assembling, please according the instructions tips to open and take out corresponding package, ready for all the tool you need (please not open all the package, it will cause the parts lost or confused). Because some spare parts are really very small, especially the screw etc., which is easily missing, you can put them into a small dish or box first to avoid missing.

Before assembling check the spare parts first, if any burr found, please use utility knife to make it flat, and then use sandpaper to make it smooth. After doing this the fluency and aesthetics of the model will be upgraded.

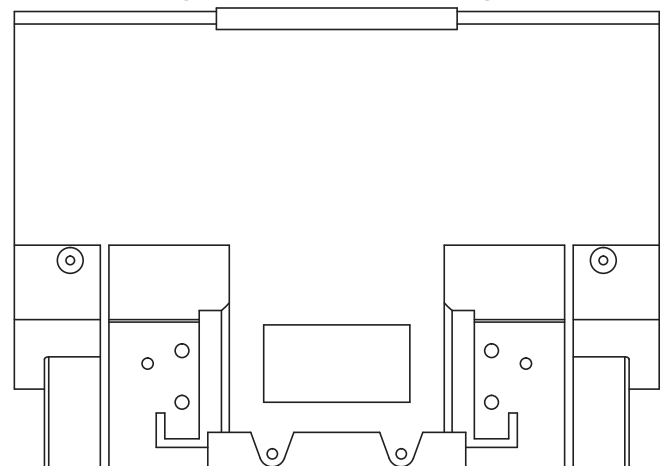
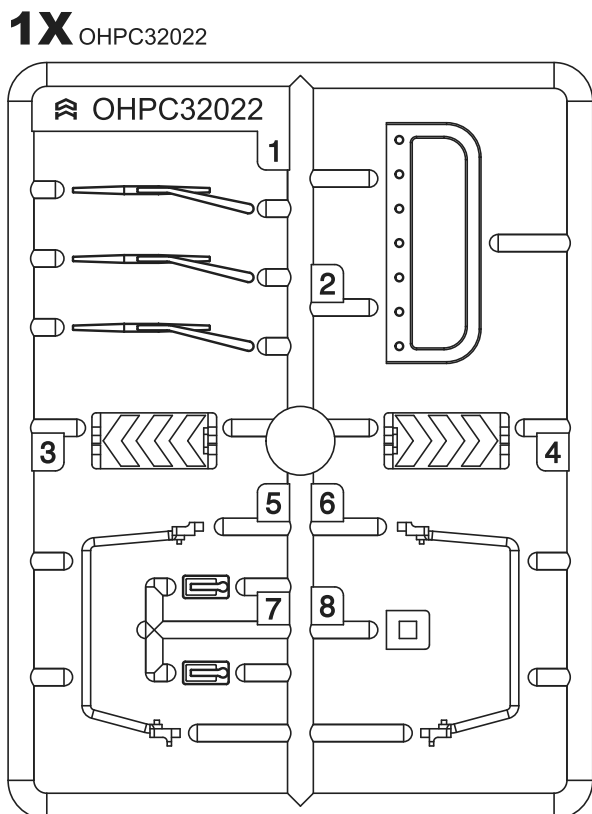
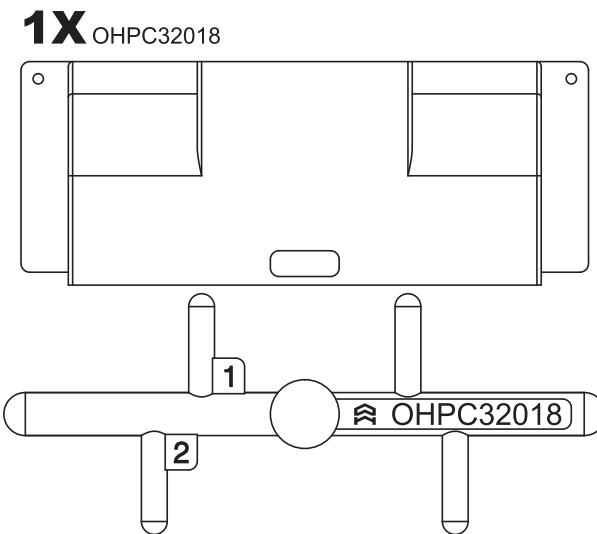
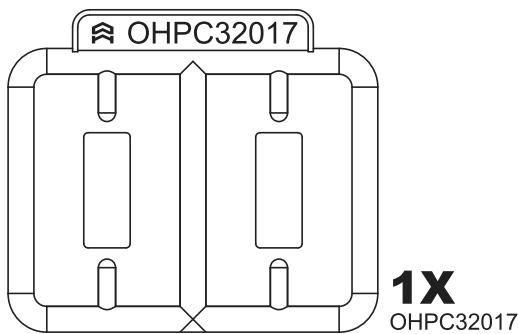
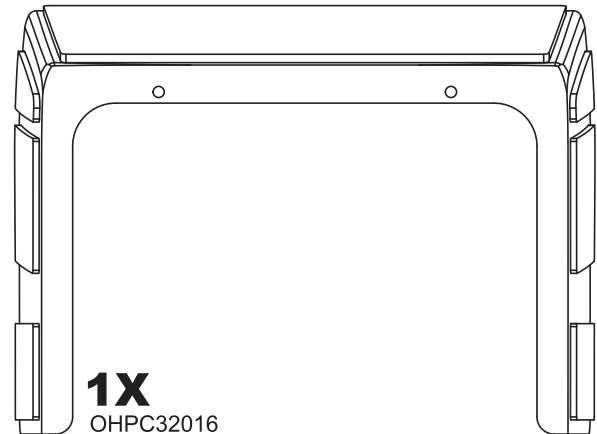
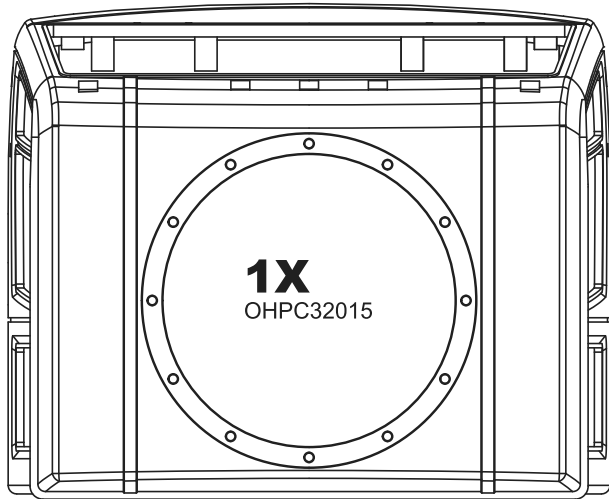
During assembling the spare parts, please do not use over strength or else will cause the spare parts break or drop.

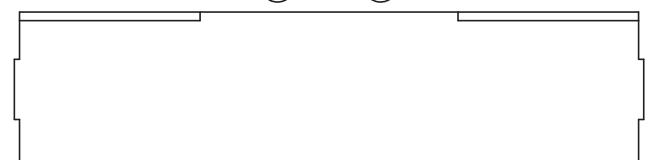
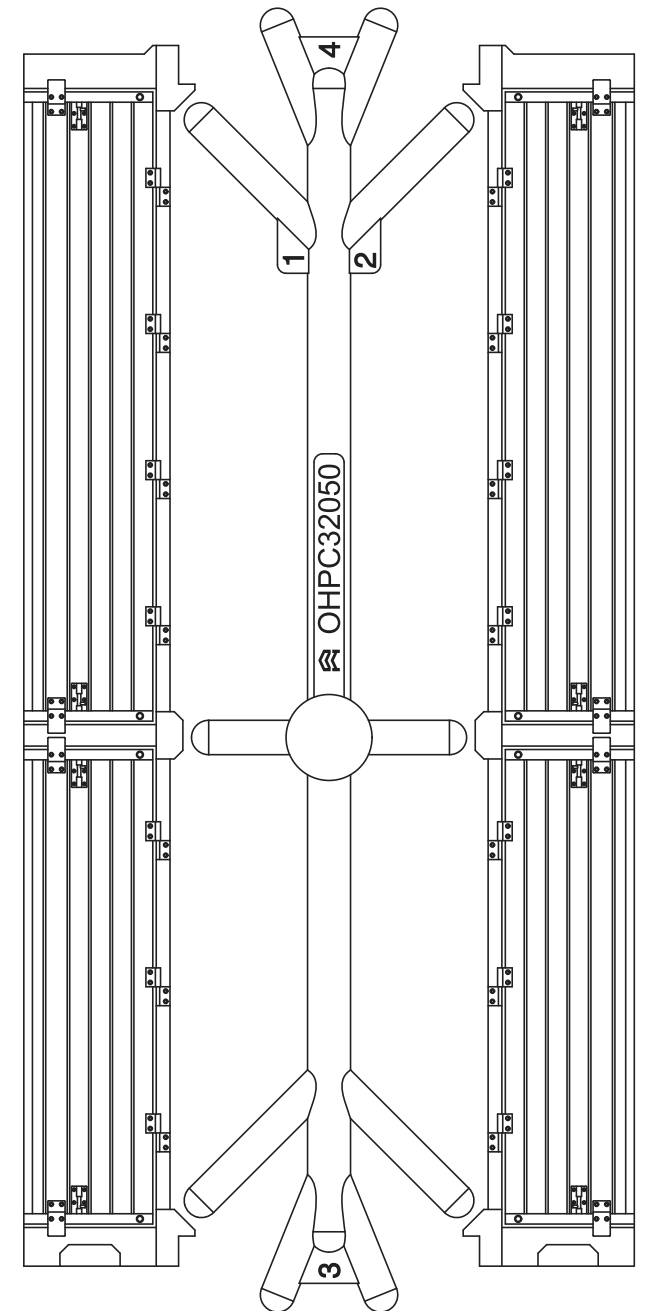
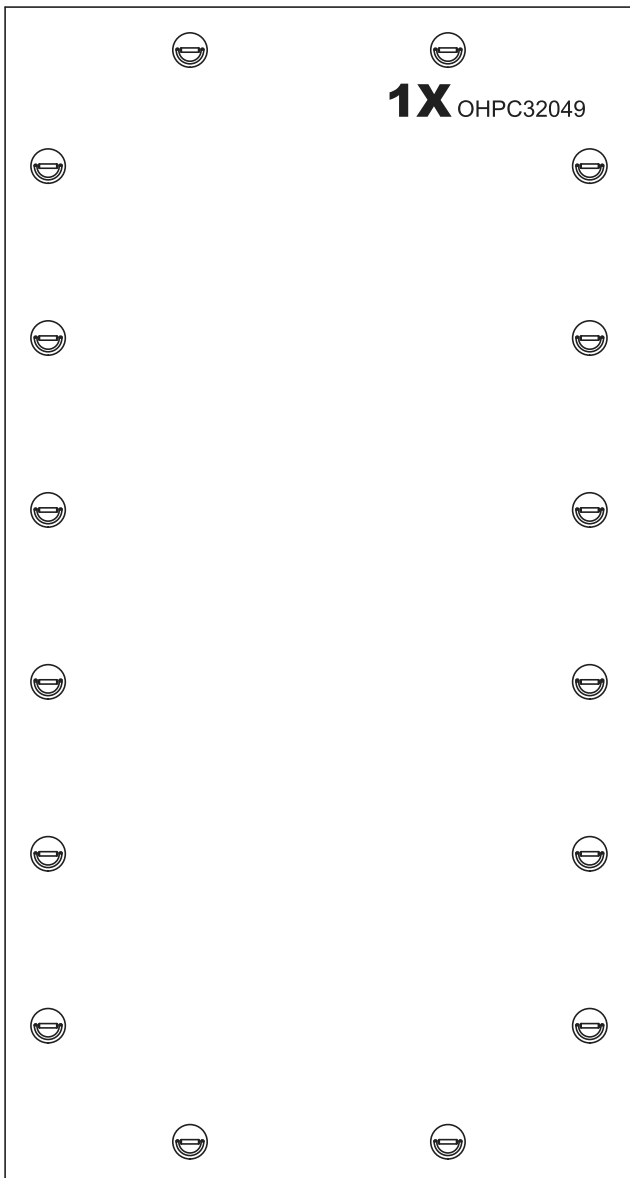
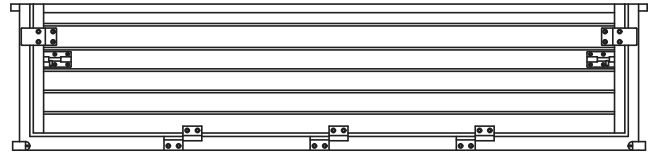
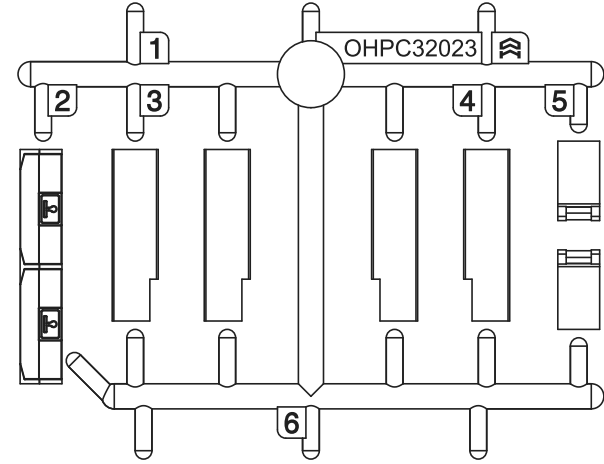
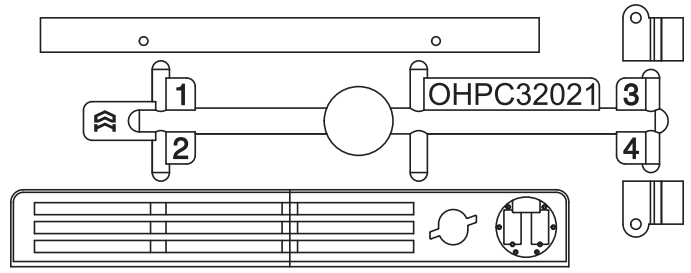
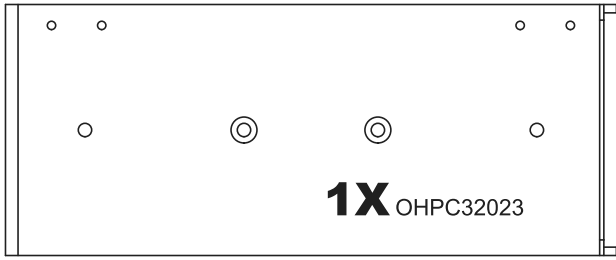
## 部件/编号对照 PARTS / REFERENCE NUMBER

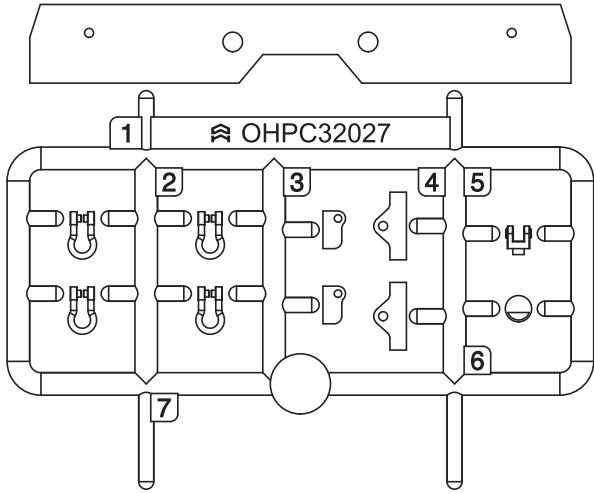
以下为 奥兰多汉特 卡车系列 **OH32M2 KT** 所包含的所有零部件编号及数量对照表。  
 如组装或者使用过程中损坏或者丢失其中一些部件，可按照零部件编号购买相应的零部件用以替换。  
 如需要对模型进行改装及加装，也可按照所需要改装或加装的零部件的编号进行购买。

Following is the comparison table of all spare parts and numbers of the **ORLANDO - HUNTER** TRUCK Series **OH32M2 KT** Model.

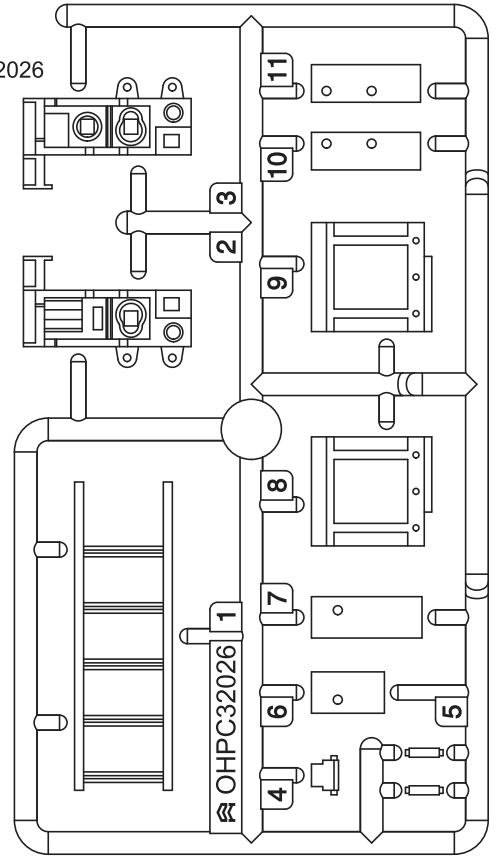
During the assembling, if some spare parts break or lost, you can according the number in the chart to buy an new one to replace it. If need remodel or adding, also can according the chart to buy some additional spare parts.



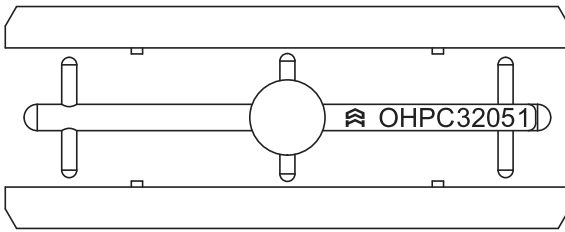
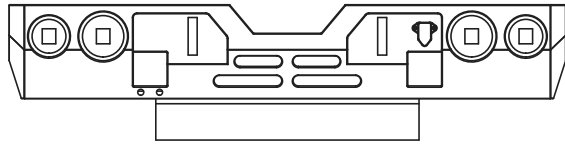




**1X** OHPC32026

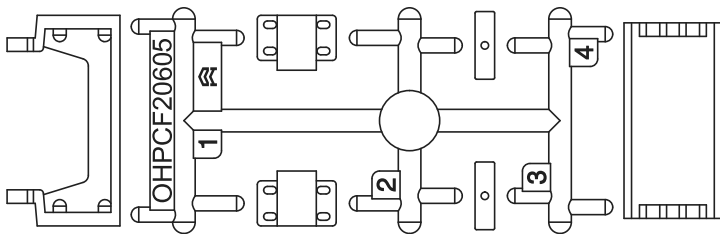
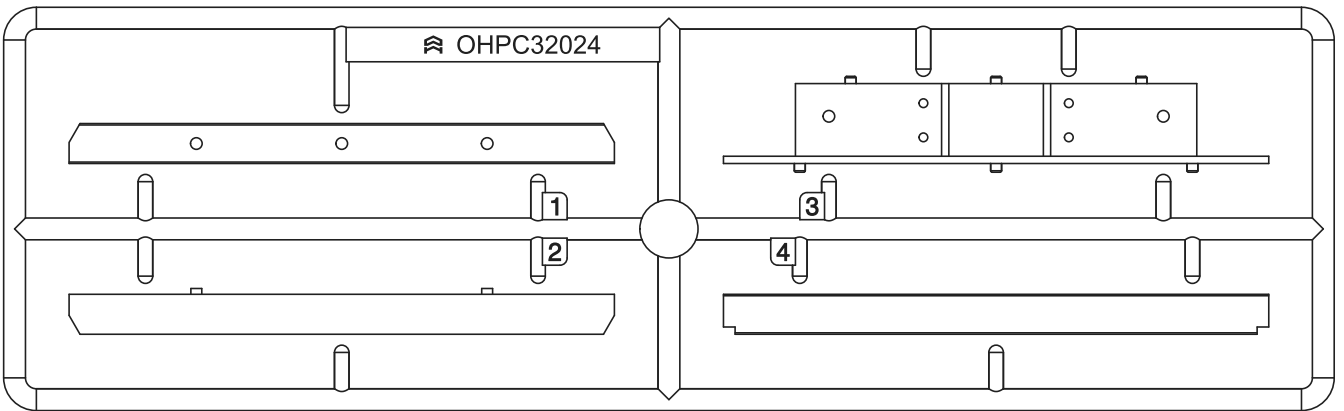


**1X** OHPC32027



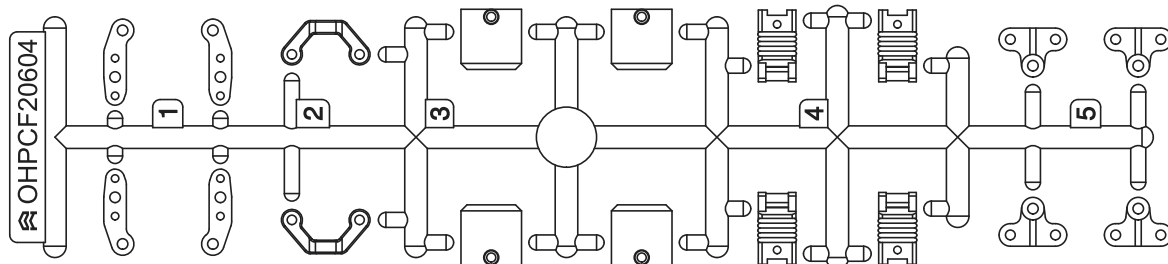
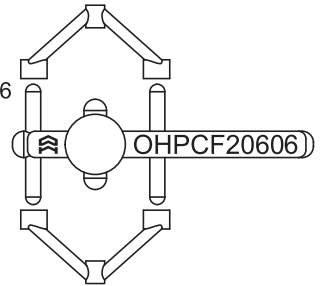
**1X** OHPC32051

**1X** OHPC32024



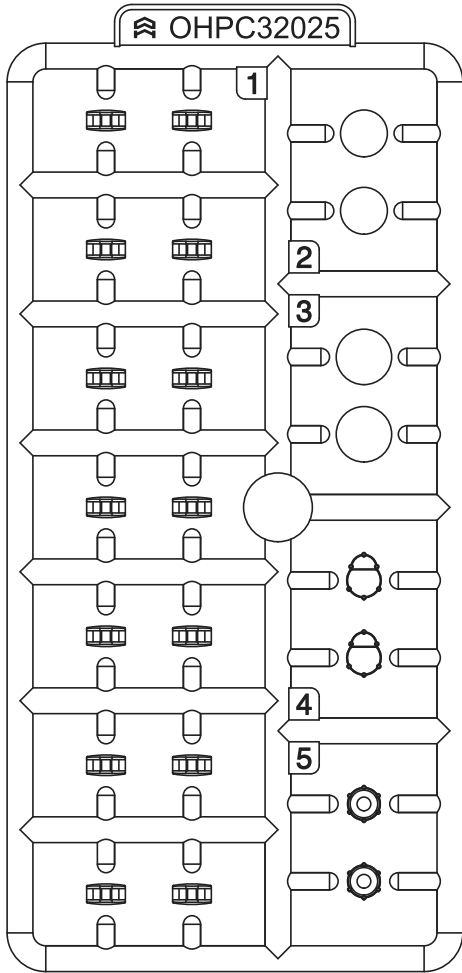
**1X** OHPCF20606

**1X** OHPCF20605

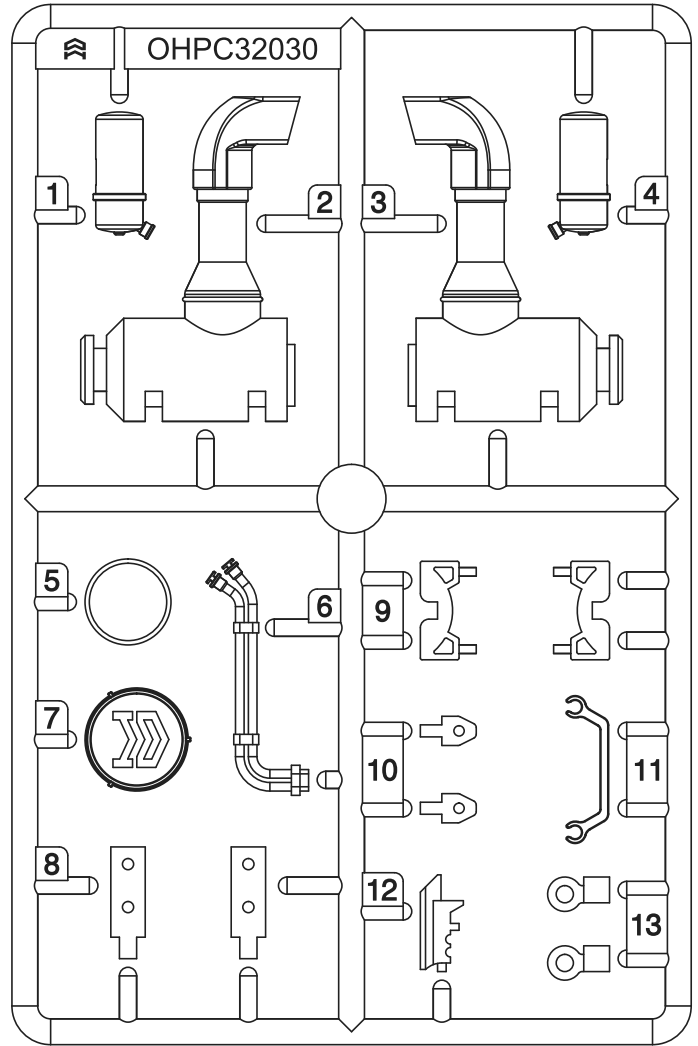


**1X**  
OHPCF20604

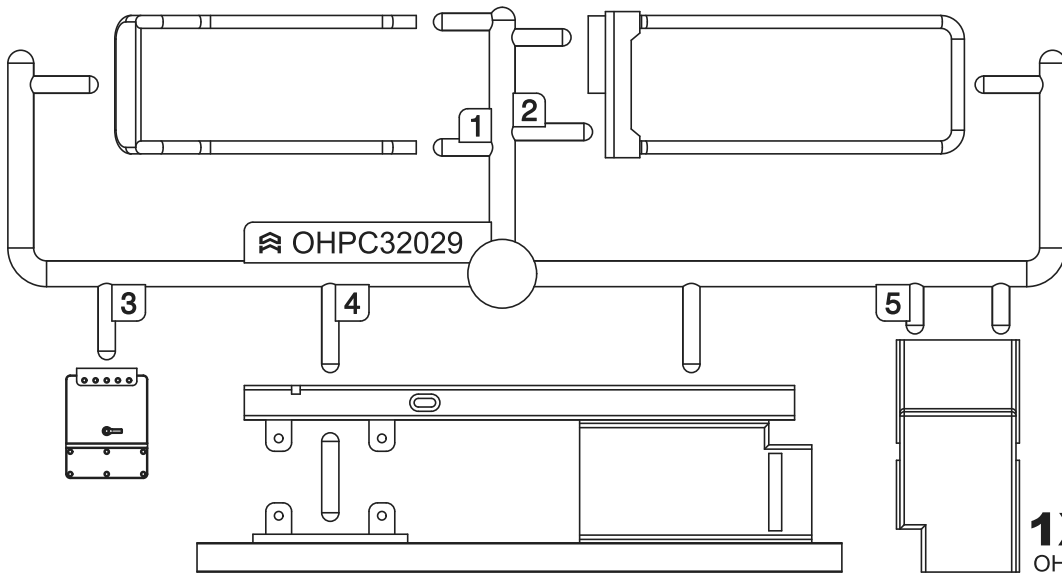
**OH32Mb2 KIT**



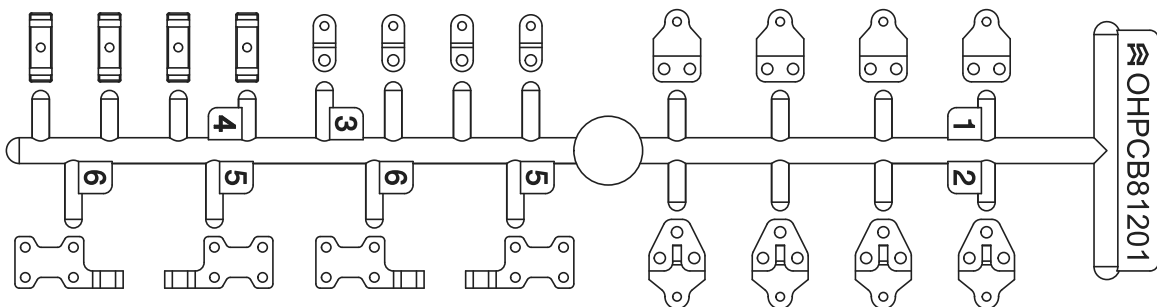
**1X** OHPC32025



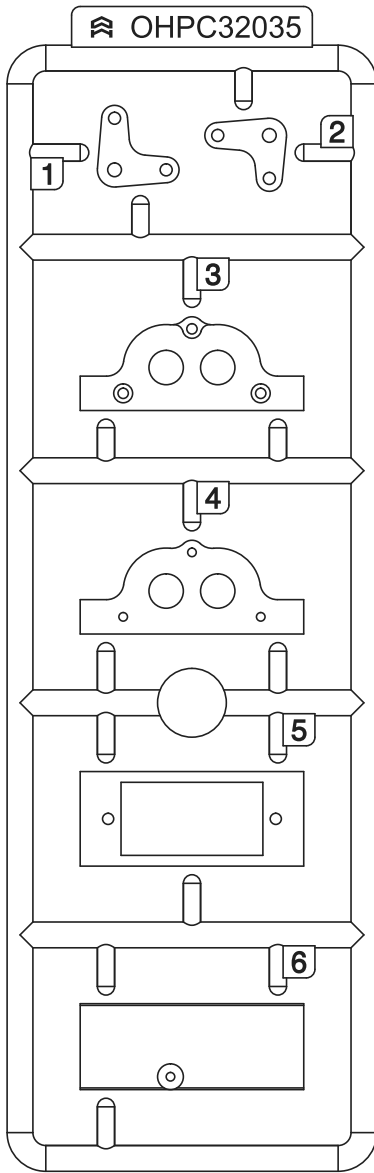
**1X** OHPC32030



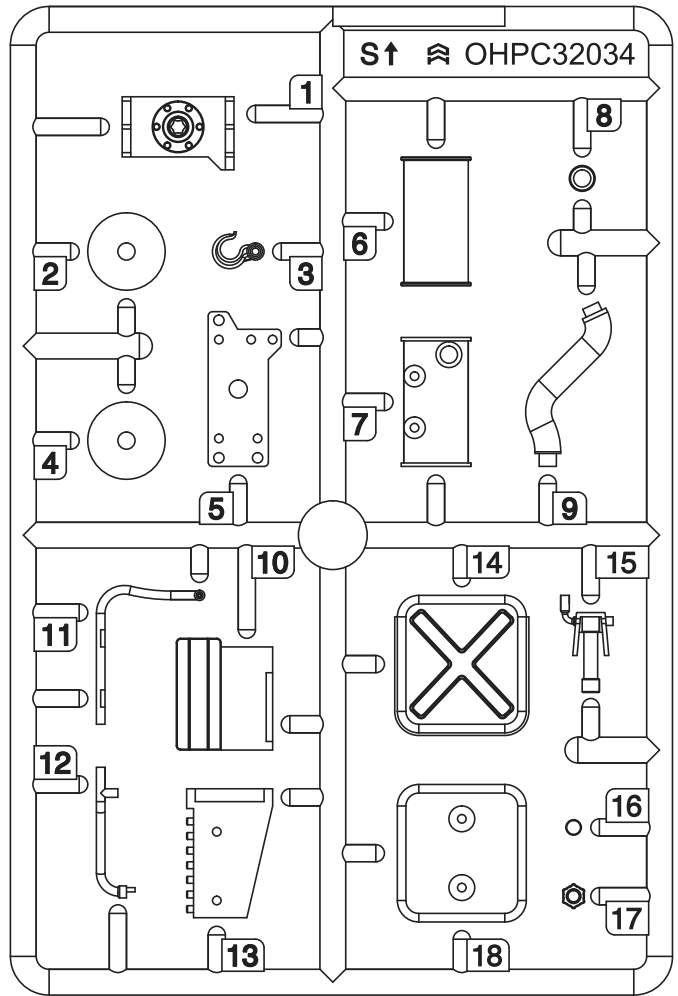
**1X** OHPC32029



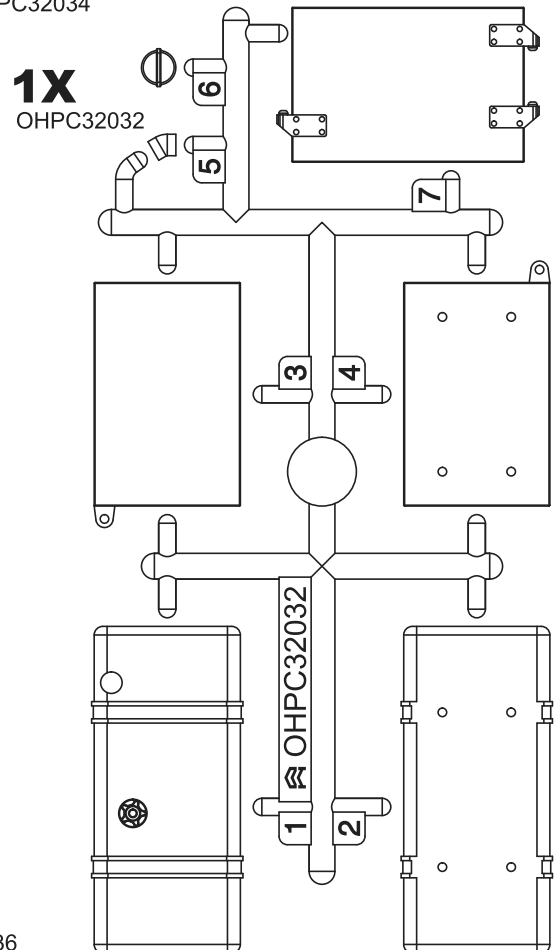
**1X** OHPCB81201



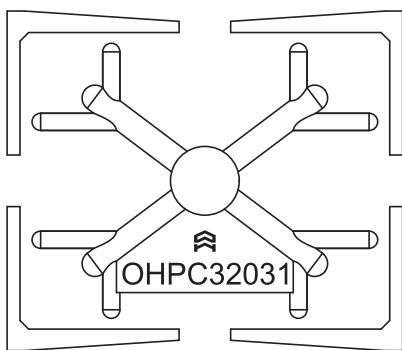
**1X** OHPC32035



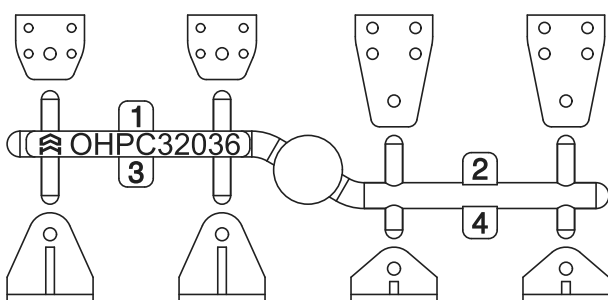
**1X** OHPC32034



**1X** OHPC32032

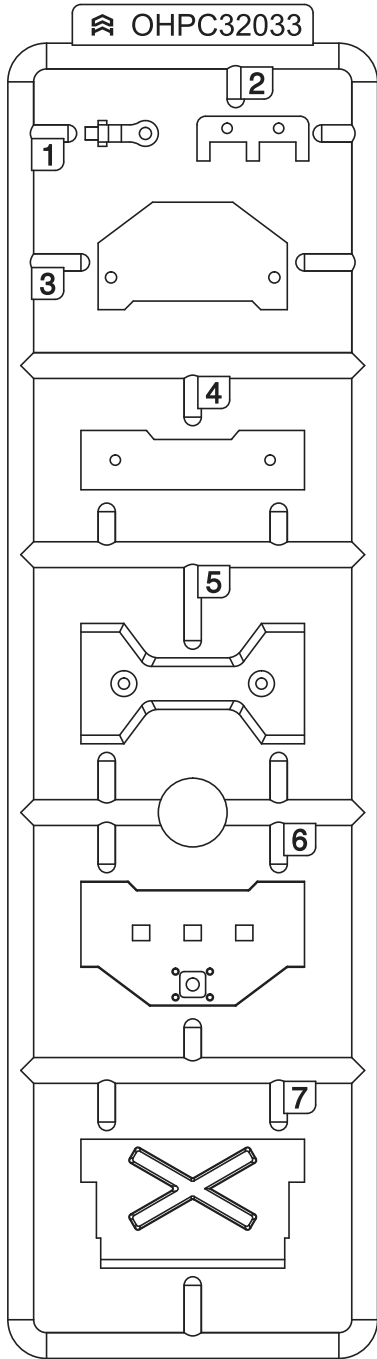


**1X** OHPC32031

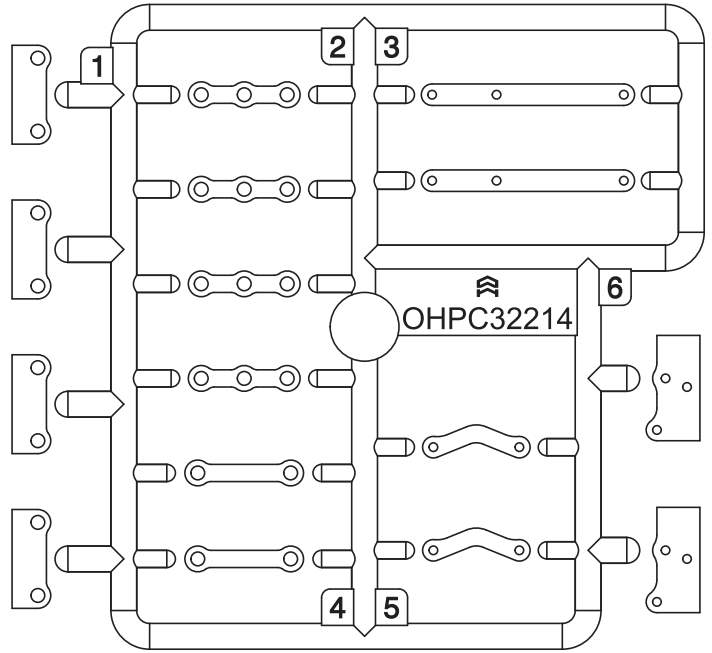
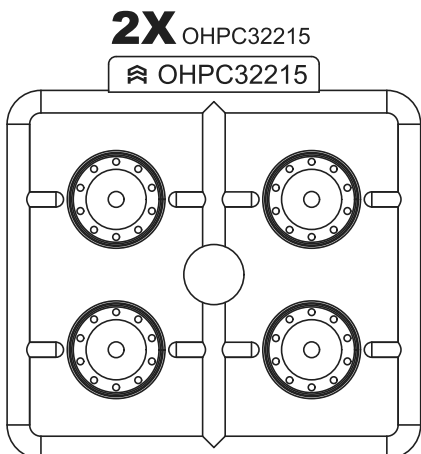


**1X** OHPC32036

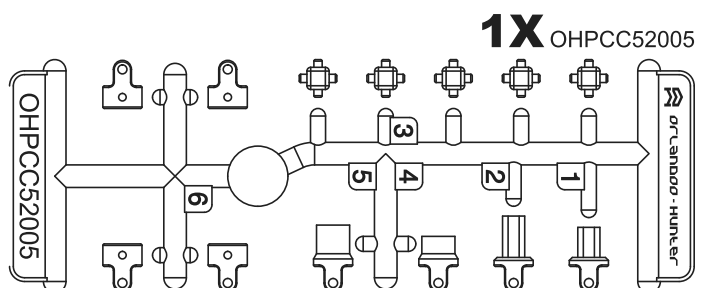
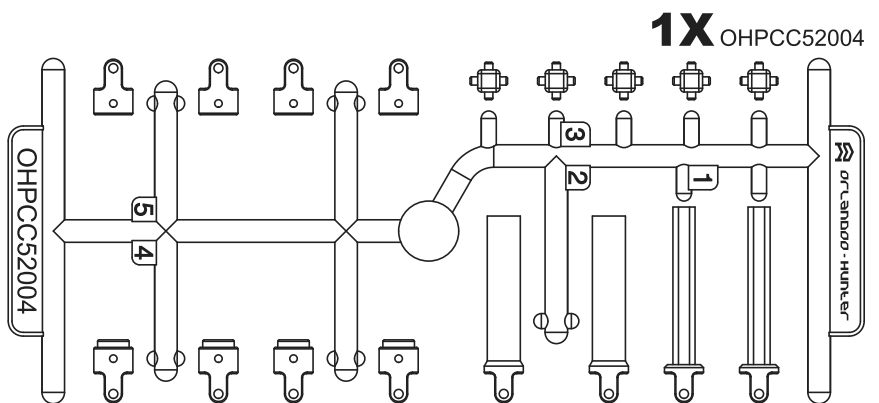
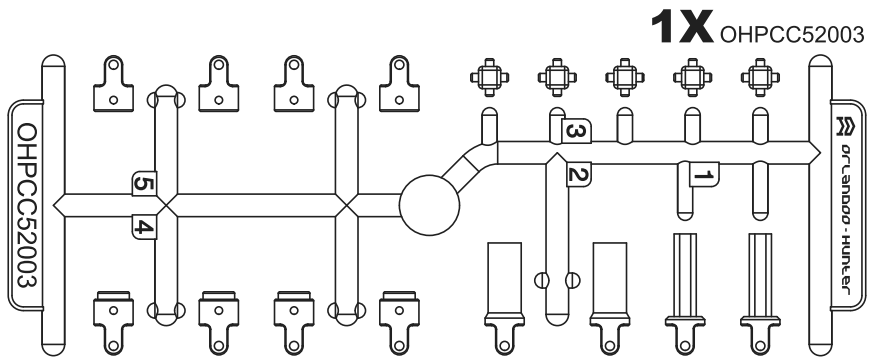
OH32M2 KIT

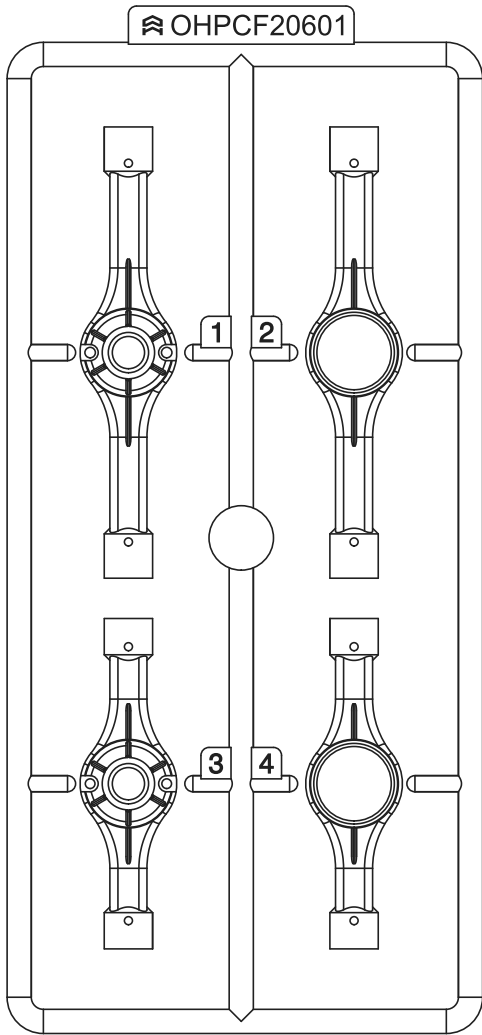


**1X** OHPC32033

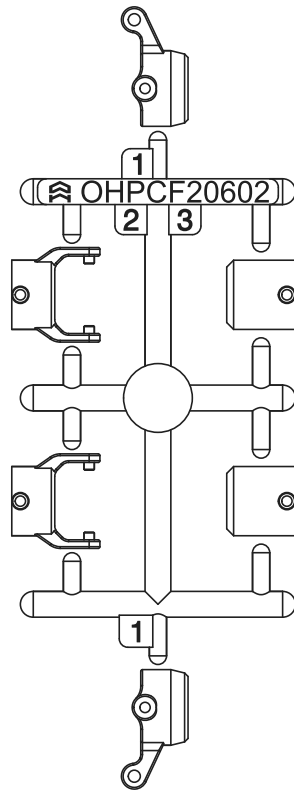


**1X** OHPC32214

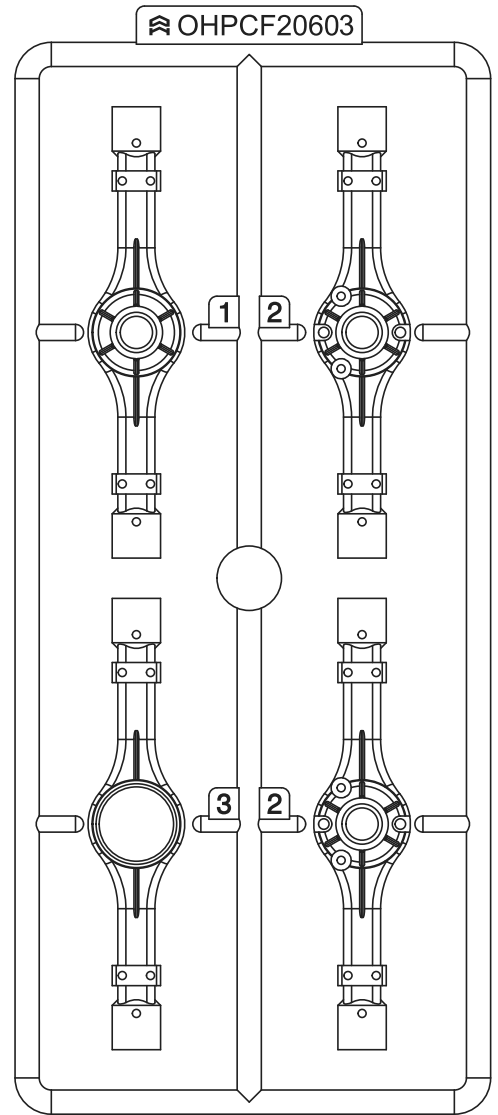




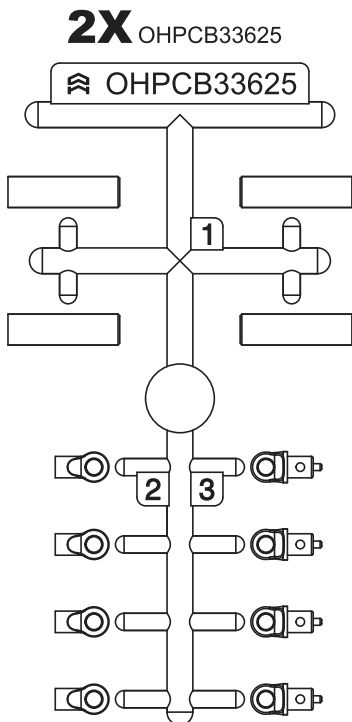
**1X** OHPCF20601



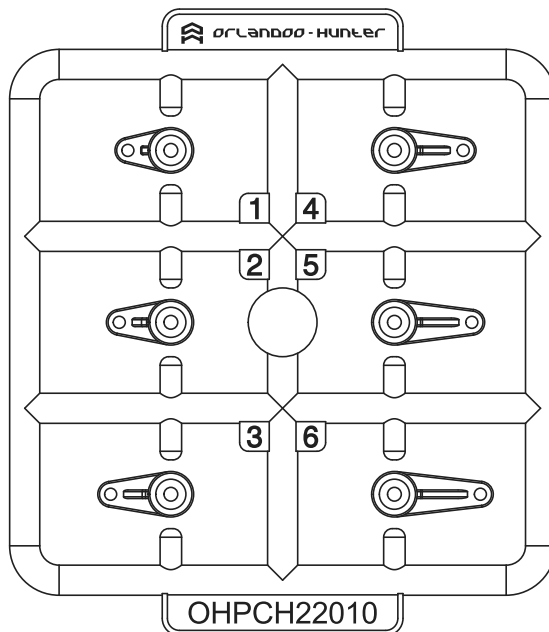
**1X** OHPCF20602



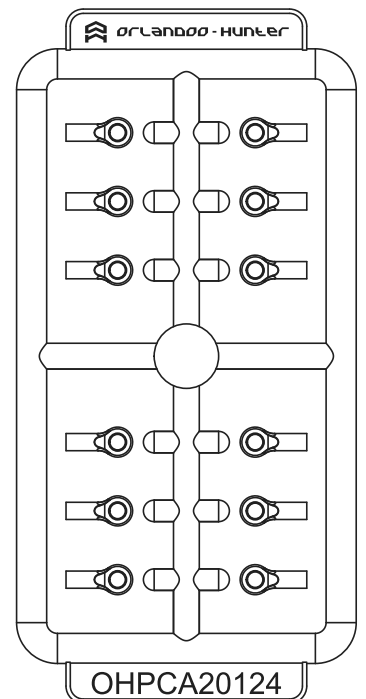
**1X** OHPCF20603



**2X** OHPCB33625

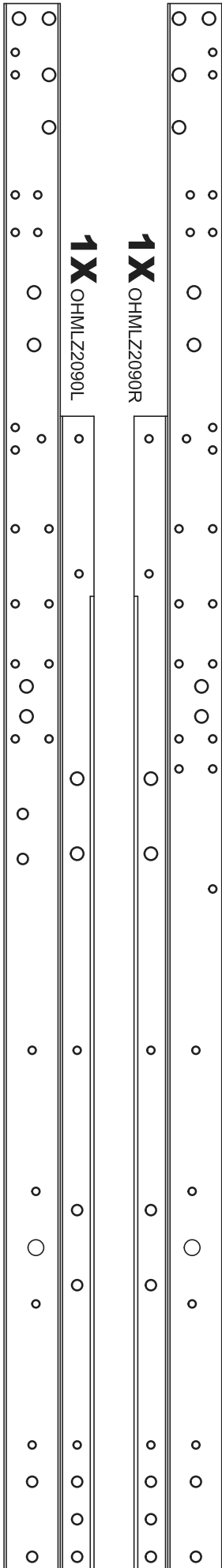


**1X** OHPCH22010

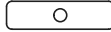


**2X** OHPCA20124

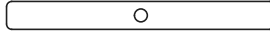




**16X** OHSGB15100



**4X** OHSGB15250



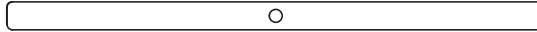
**4X** OHSGB15350



**4X** OHSGB15450



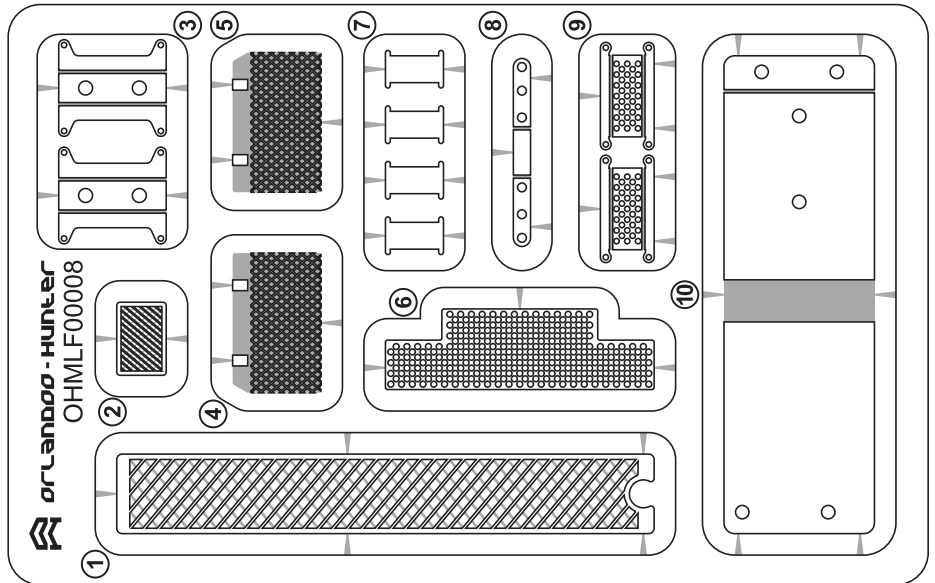
**2X** OHSGB15500



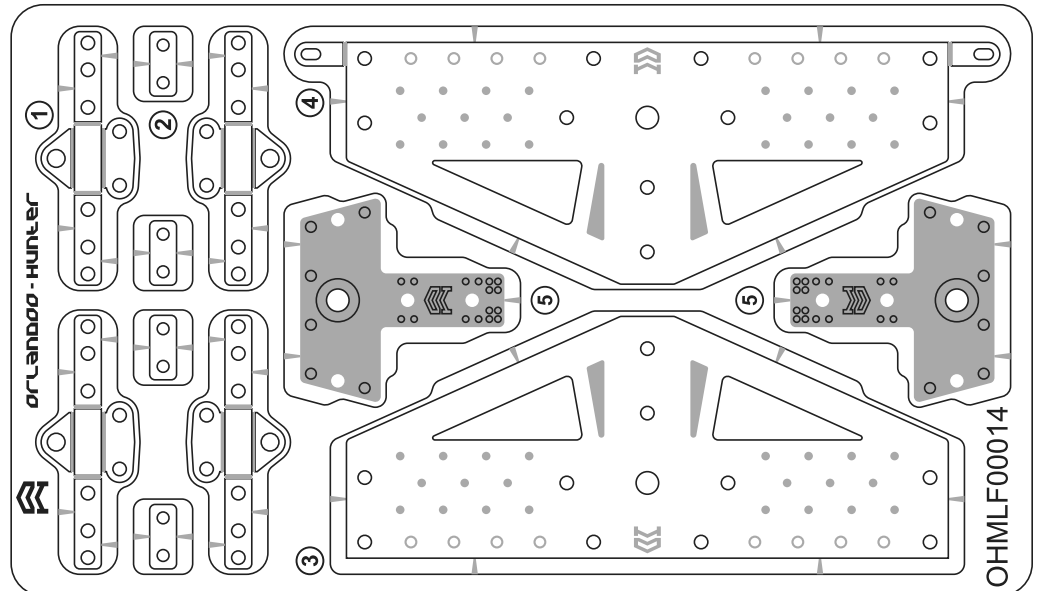
**2X** OHSGB15529

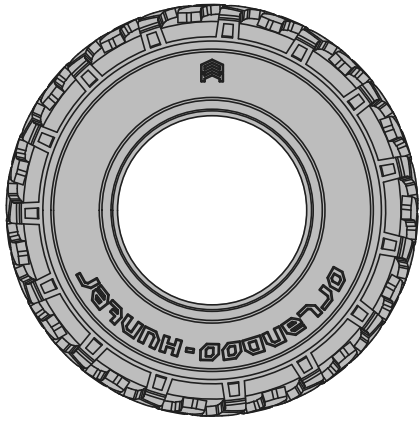


**1X** OHMLF00008

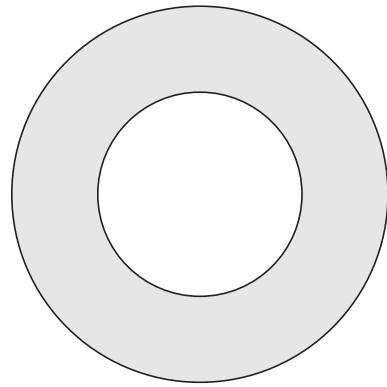


**1X** OHMLF00014

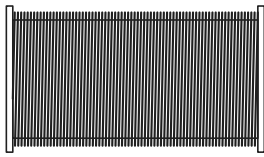




**7X**  
OHTEB20001



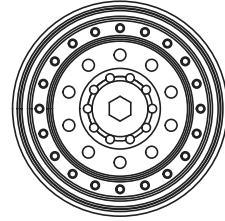
**6X**  
OHSE03519



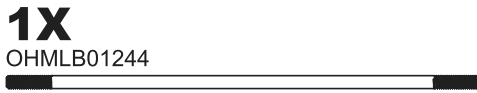
**1X**  
OHPJX01030



**4X**  
OHPC32028



**7X**  
OHPCG33200



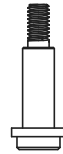
**1X**  
OHMLB01244



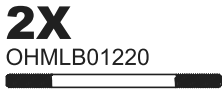
**4X**  
OHMLB31013



**4X**  
OHMLB31011



**2X**  
OHSW94001



**2X**  
OHMLB01220



**2X**  
OHMLM21625



**2X**  
OHMLM00640



**3X**  
OHMLM00835



**4X**  
OHMLB01212



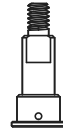
**2X**  
OHMLB01206



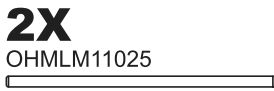
**4X**  
OHMLC20003



**2X**  
OHMLC20001



**2X**  
OHMLC20002



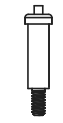
**2X**  
OHMLM11025



**2X**  
OHSGB32516



**6X**  
OHSGA11501



**6X**  
OHMLD02006



**2X**  
OHMLE20560



**1X**  
OHMLE20410



**1X**  
OHMLC31003



**3X**  
OHPJE00016



**3X**  
OHPJQ10050



**2X**  
OHBG40725



**18X**  
OHBG20520



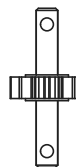
**6X**  
OHBG30620



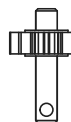
**3X**  
OHMCB05160



**4X**  
OHMCB05080



**1X**  
OHMCA05120



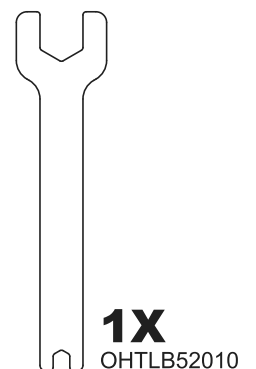
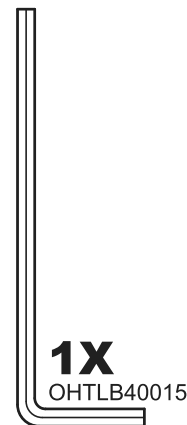
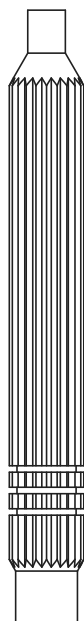
**1X**  
OHMCA05121



### 工具包内包含 TOOL CONTENTS

十字螺丝刀  
 六角锁胎器  
 内六角扳手  
 外六角扳手  
 双面减震垫

Phillips Screwdriver  
 Nut Driver  
 "L" Type Hexagon Screwdriver  
 Open End Wrenches  
 Double Side Tape

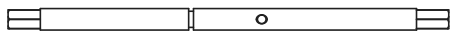


以下图标将会出现在接下来的装配图中，请先了解图标的含义！  
 Following Icon will appear on the assembling chart, please understanding its meaning first !

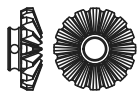


# A

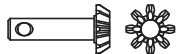
打开包裹“A”



1X OHMLE20410



1X OHMCB05160



1X OHMCB05080



1X OHMLM00835



1X OHPJE00016



1X OHPJQ10050

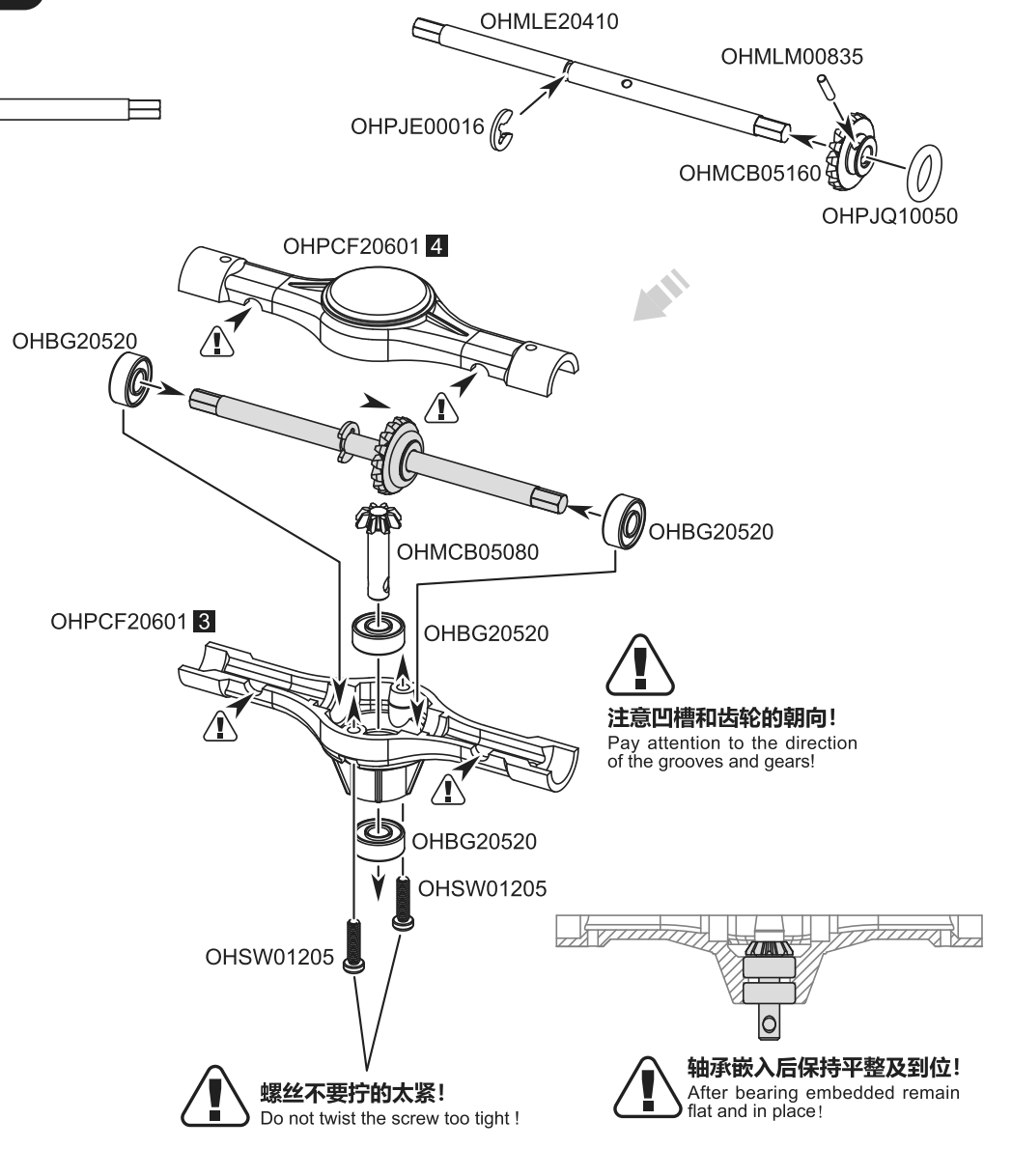


4X OHBG20520



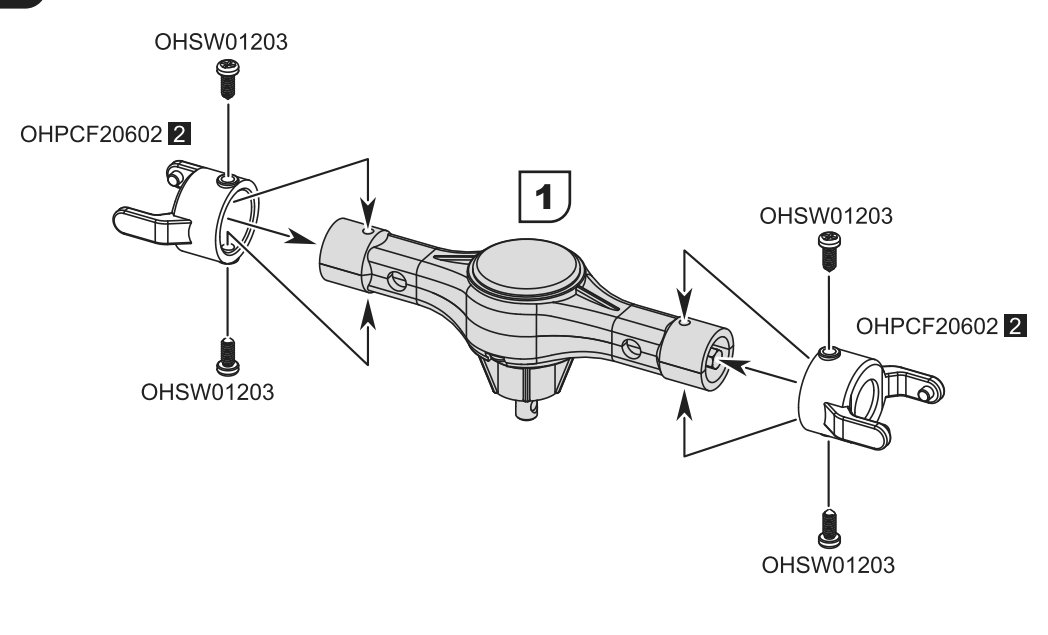
2X OHSW01205

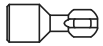
1



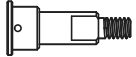
4X OHSW01203

2





**2X** OHMLC20001



**2X** OHMLC20002



**2X** OHMLM21625



**2X** OHMLM00640

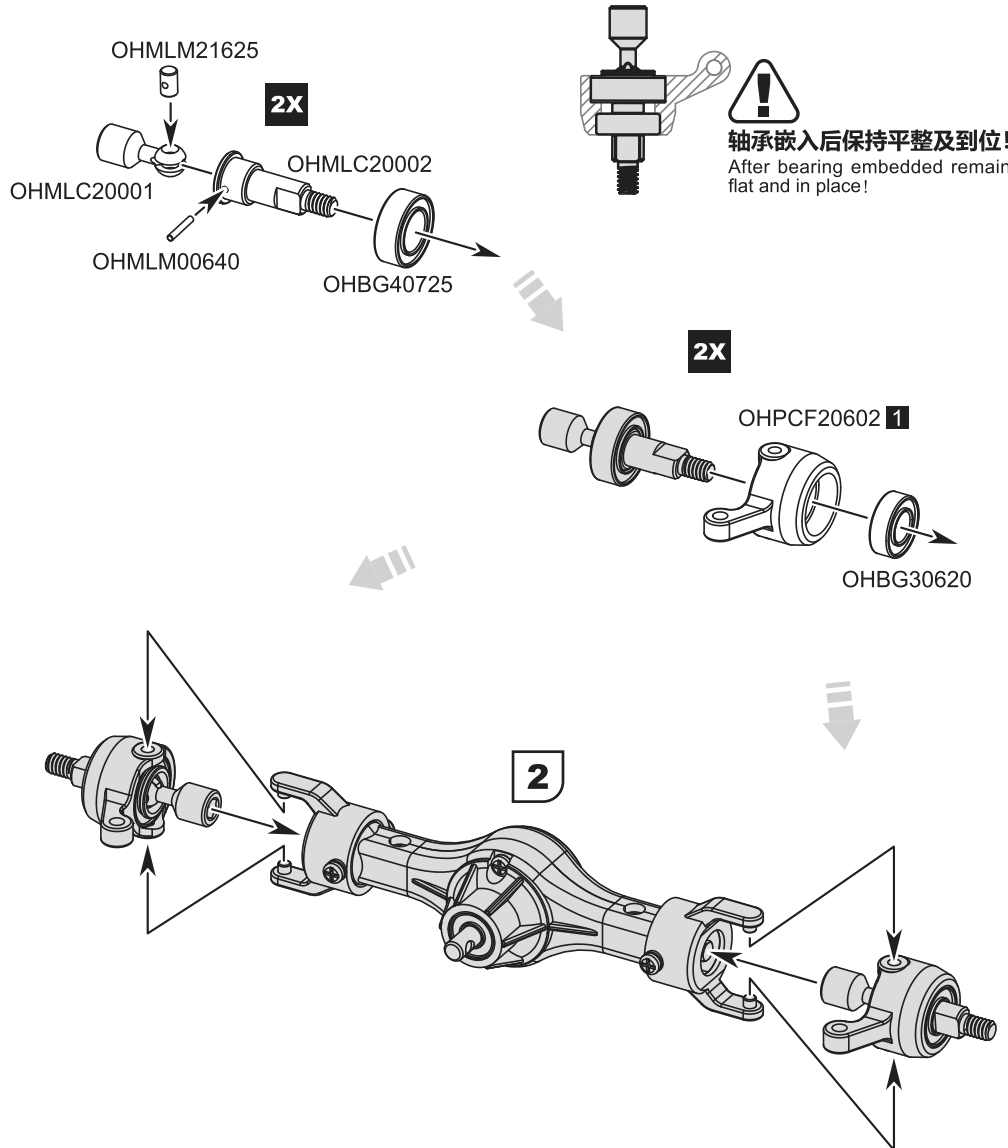


**2X** OHBG40725

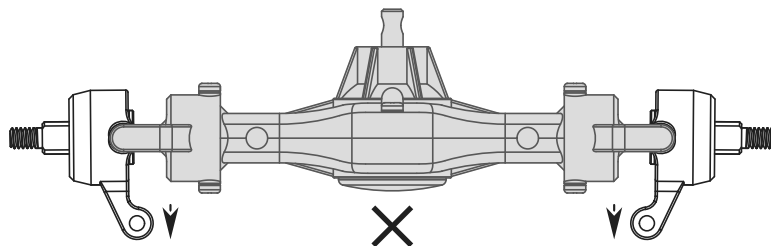
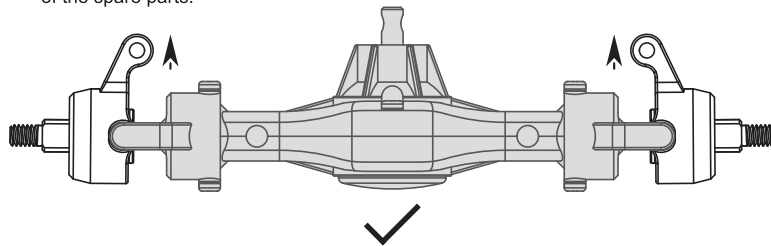


**2X** OHBG30620

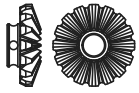
**3**



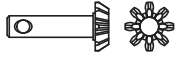
**注意零件方向!**  
 Pay attention the direction  
 of the spare parts!



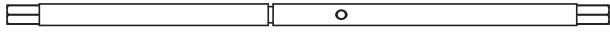




1X OHMCB05160



1X OHMCB05080



1X OHMLE20560



1X OHMLM00835



1X OHPJE00016



1X OHPJQ10050

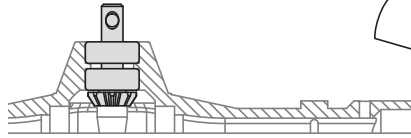


4X OHBG20520

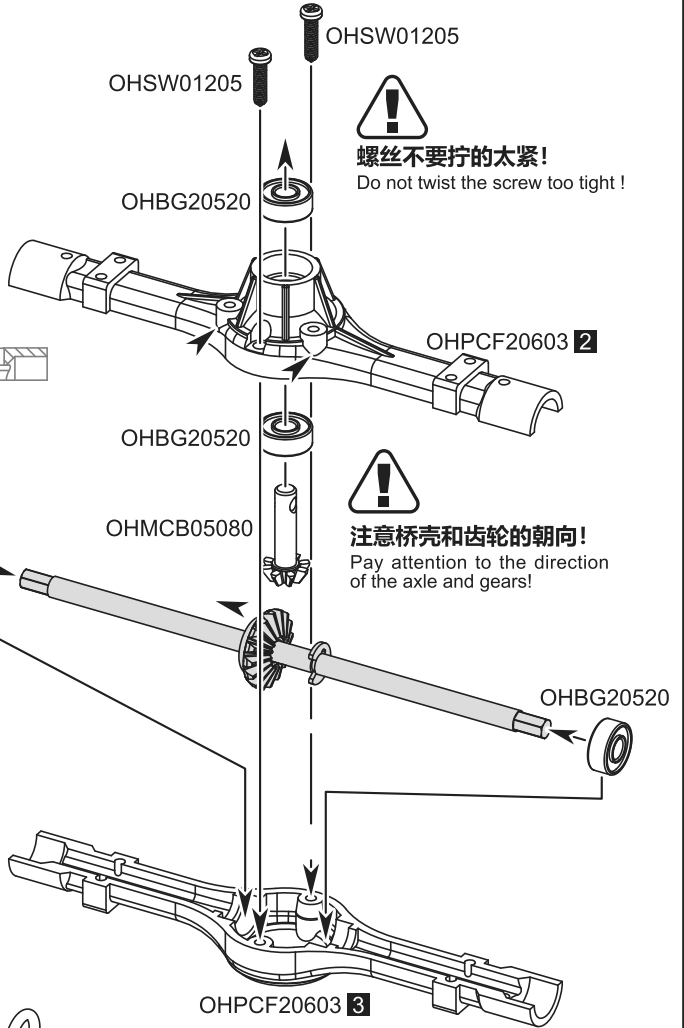
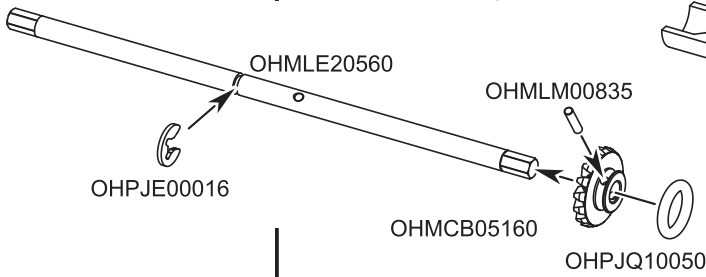


2X OHSW01205

6



轴承嵌入后保持平整及到位!  
 After bearing embedded remain flat and in place!

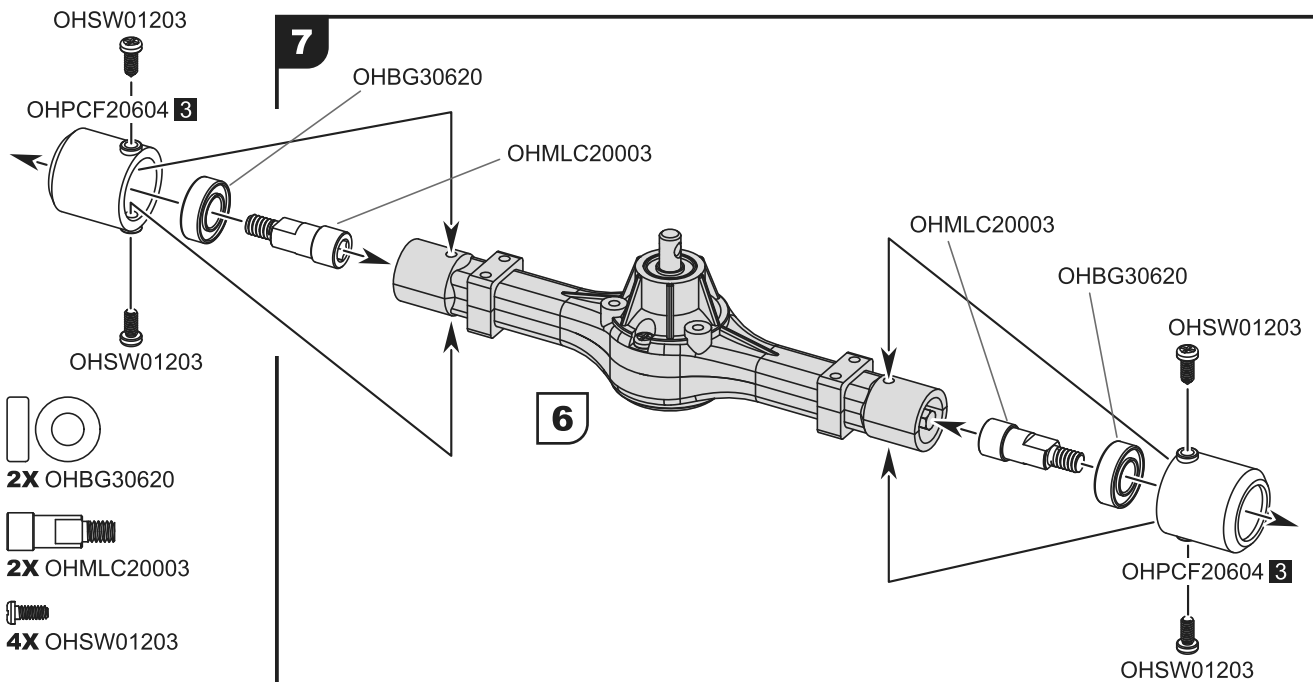


螺丝不要拧的太紧!  
 Do not twist the screw too tight!



注意桥壳和齿轮的朝向!  
 Pay attention to the direction of the axle and gears!

7



2X OHBG30620



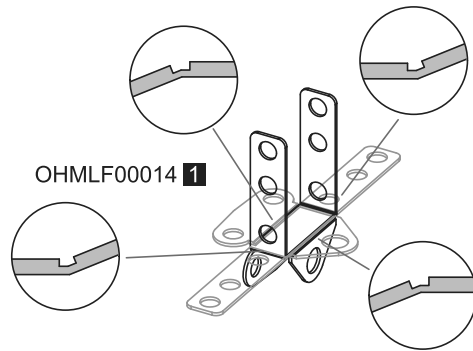
2X OHMLC20003



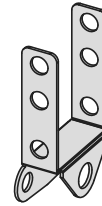
4X OHSW01203

6

8



请按照图示方向折弯。  
Please bend in the direction shown.



4X

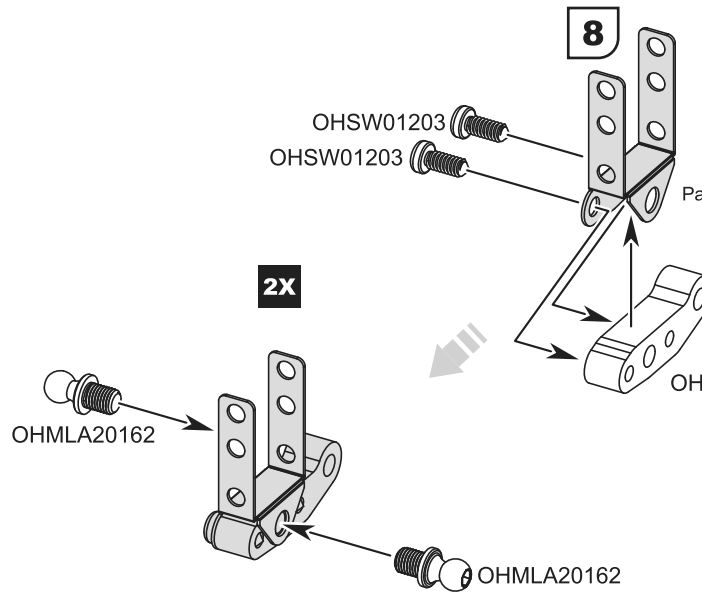


4X OHMLA20162



4X OHSW01203

9



注意零件方向!  
Pay attention the direction  
of the spare parts!

2X

OHPCF20604 1

OHMLA20162

OHMLA20162

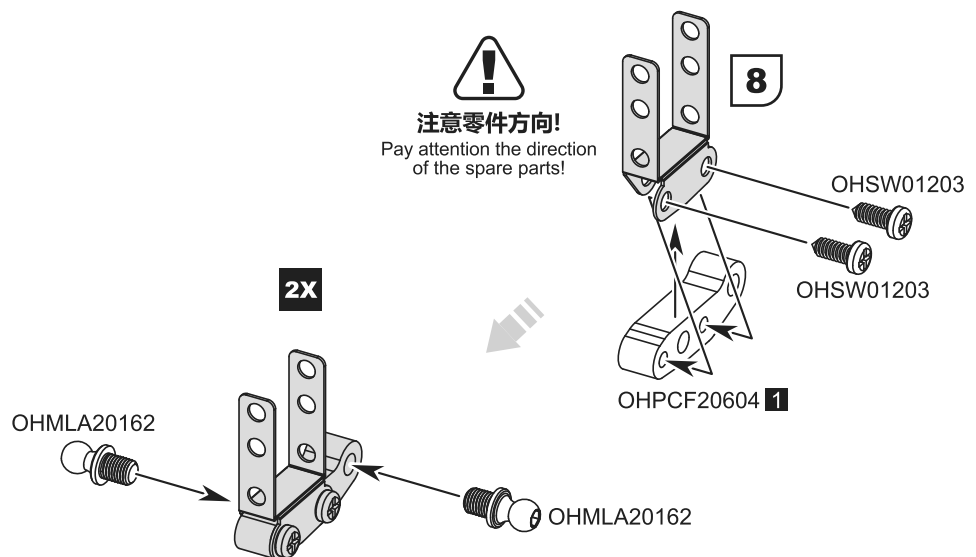


4X OHMLA20162



4X OHSW01203

10



注意零件方向!  
Pay attention the direction  
of the spare parts!

2X

OHPCF20604 1

OHMLA20162

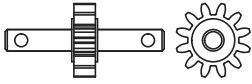
OHMLA20162



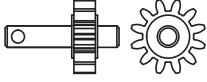


**B**

打开包裹“B”



1X OHMCA05120



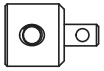
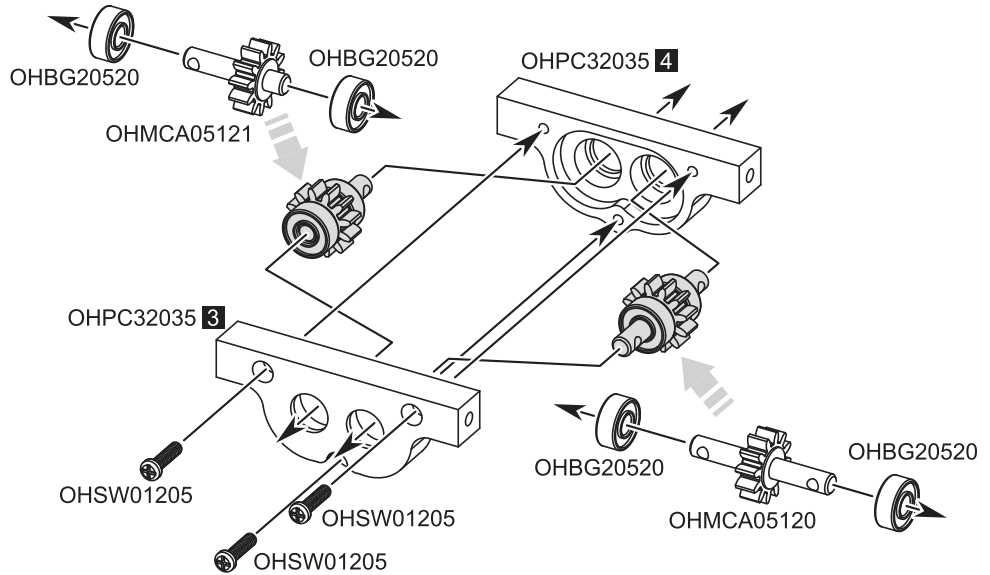
1X OHMCA05121



4X OHBG20520



3X OHSW01205

**13**

1X OHMLC31003



2X OHMLA20162



1X OHSW61516

**14**

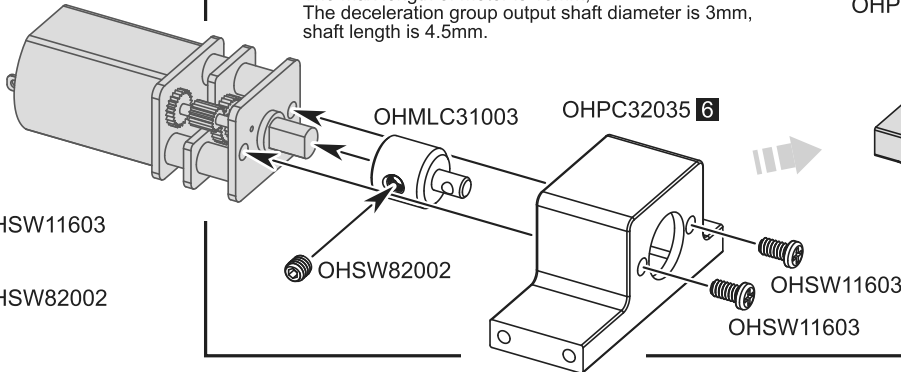
**本套件内不包含电机!**  
**减速电机减速组尺寸为12mm\*10mm\*9mm,**  
**电机最长限制为18mm,**  
**减速组输出轴径为3mm 轴长4.5mm.**  
 The kits not included any motor!  
 The decelerate size is 12mm\*10mm\*9mm,  
 The max length of motor is 18mm,  
 The deceleration group output shaft diameter is 3mm,  
 shaft length is 4.5mm.



2X OHSW11603



1X OHSW82002



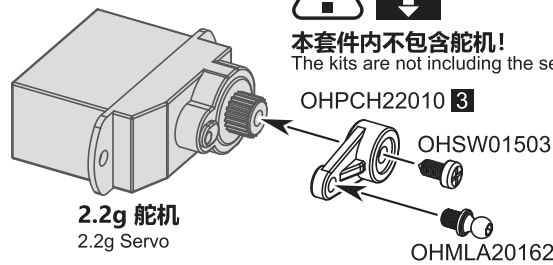
1X OHMLA20162



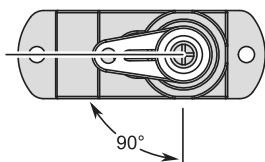
3X OHSW01503

**15**

**本套件内不包含舵机!**  
 The kits are not including the servo.

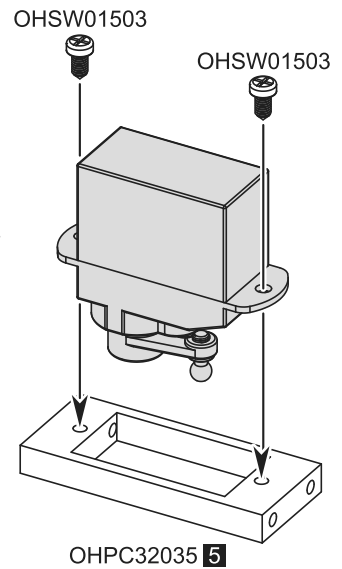


**2.2g 舵机**  
 2.2g Servo



**请在安装舵机前调整好舵机中立点,**  
**按上图安装舵机摇臂, 舵机摇臂和舵**  
**机底面呈90度角。**

Before fixed the servo, please set the  
 Intermediate point, according the above  
 chart to fix the arm of motor, the arm should  
 vertical to the bottom surface.



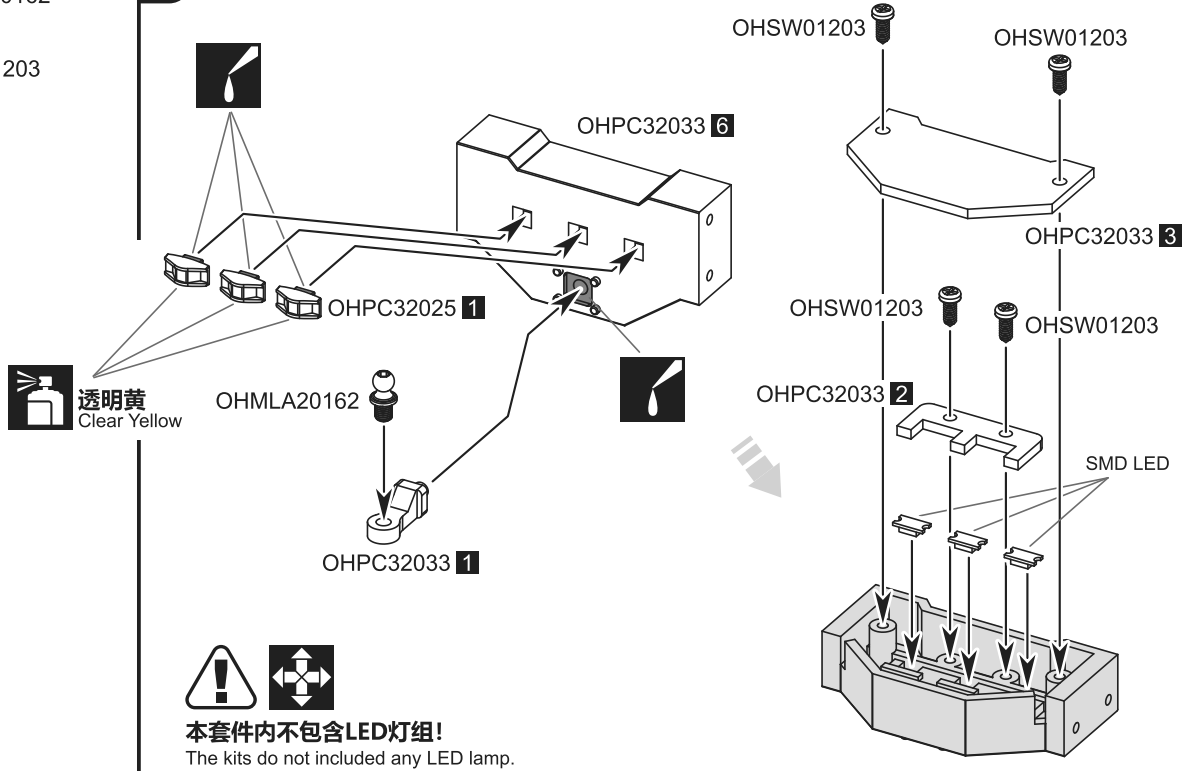


**1X** OHMLA20162



**4X** OHWSW01203

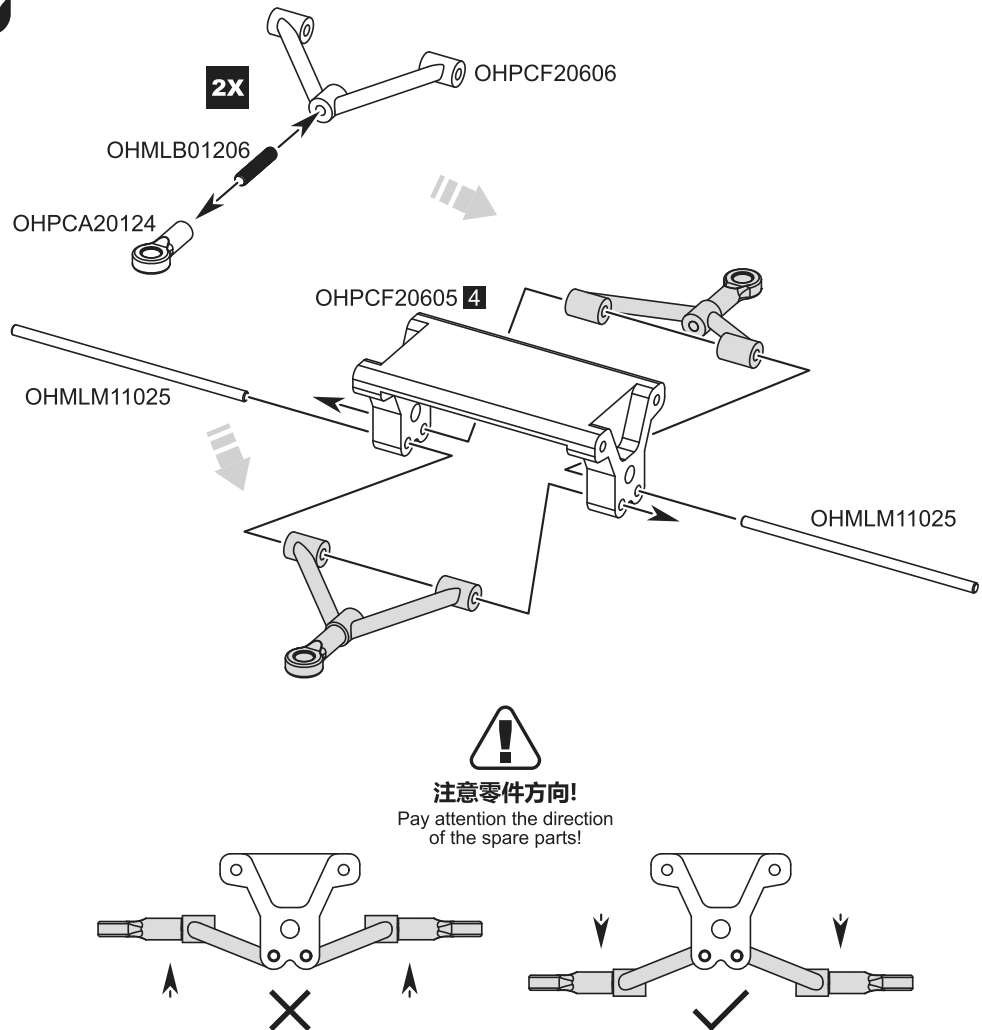
**16**



**2X** OHMLB01206

**2X** OHMLM11025

**17**

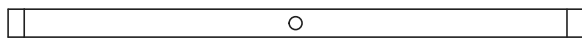




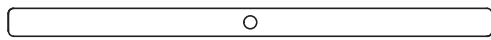


**C**  
打开包裹“C”

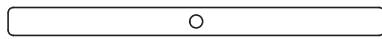
**21**



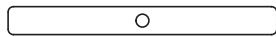
2X OHSGB15529



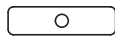
2X OHSGB15450



2X OHSGB15350



2X OHSGB15250



8X OHSGB15100

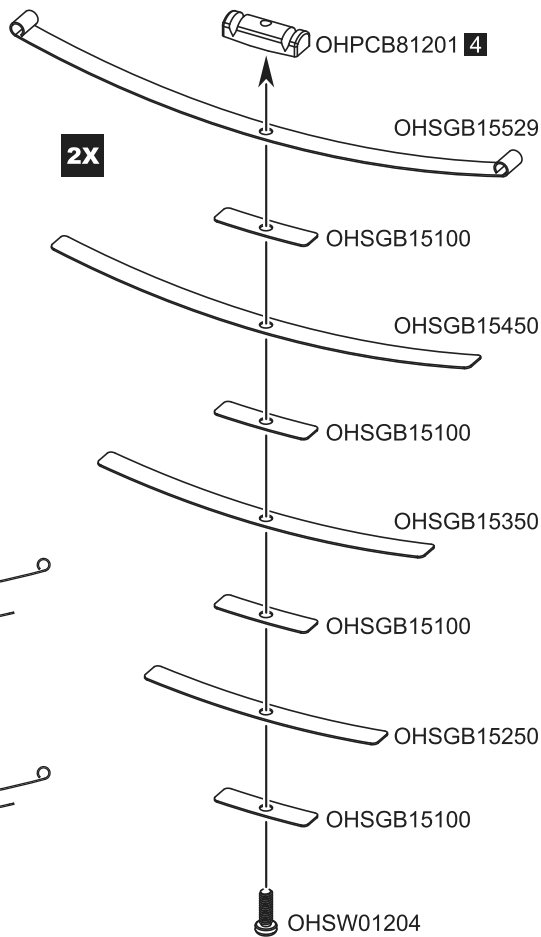
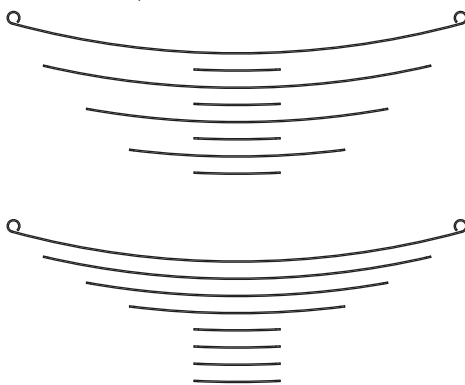


2X OHSW01204

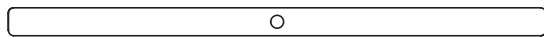


调整弹簧片顺序可调整悬挂软硬度，  
增加或减少间隔片可调整悬挂高度。

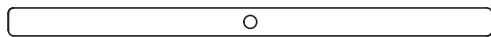
Adjust the spring order to adjust the  
stiffness of the suspension, increase or  
decrease the spacer to adjust the height  
of the suspension.



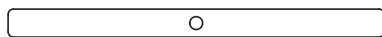
**22**



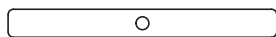
2X OHSGB15500



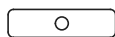
2X OHSGB15450



2X OHSGB15350



2X OHSGB15250



8X OHSGB15100

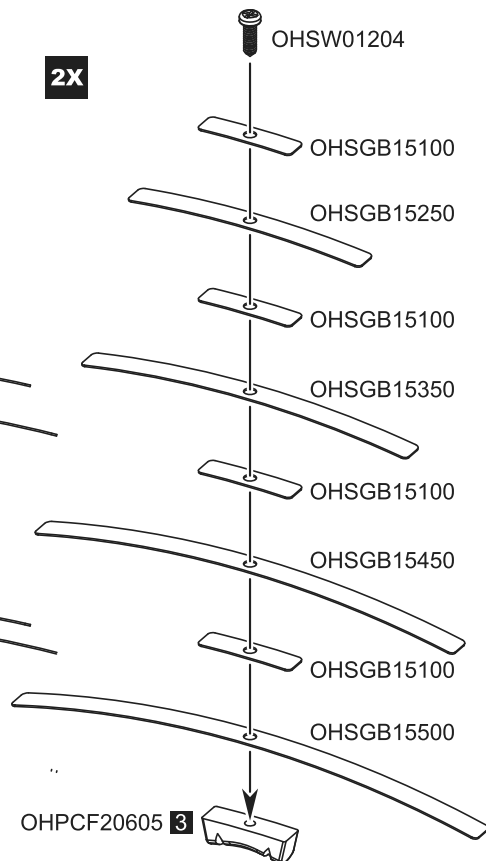
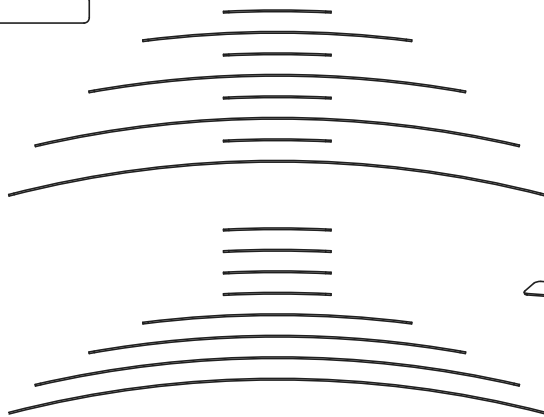


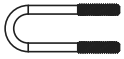
2X OHSW01204



调整弹簧片顺序可调整悬挂软硬度，  
增加或减少间隔片可调整悬挂高度。

Adjust the spring order to adjust the  
stiffness of the suspension, increase or  
decrease the spacer to adjust the height  
of the suspension.



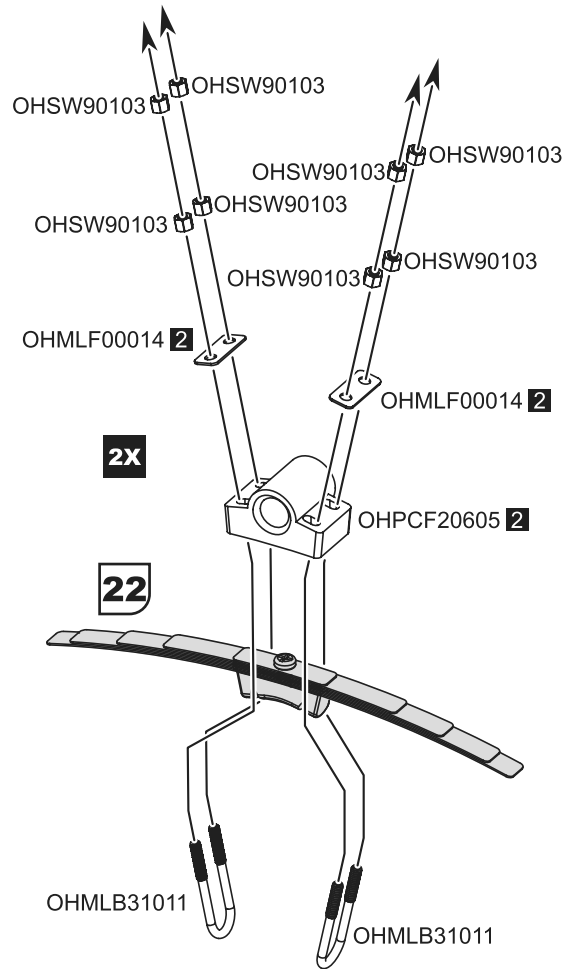


**4X** OHMLB31011

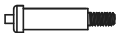


**16X** OHSW90103

**23**



**6X** OHSGA11501

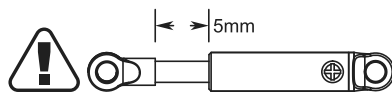


**6X** OHMLD02006



**6X** OHSW01203

**24**

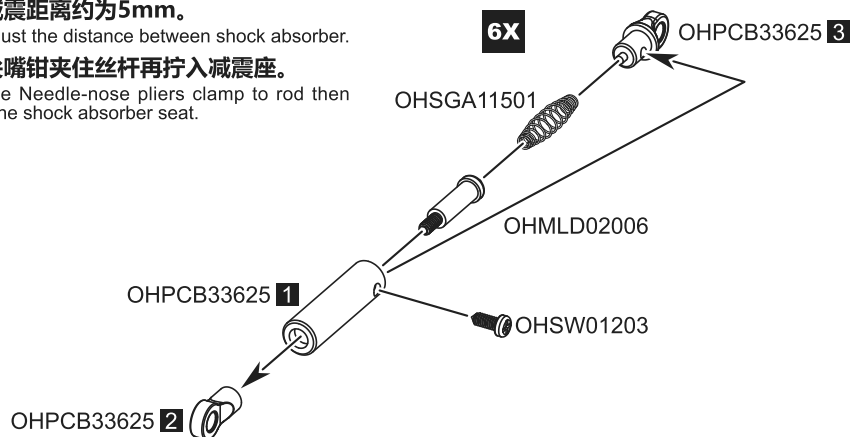


**请调整减震距离约为5mm。**

Please adjust the distance between shock absorber.

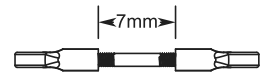
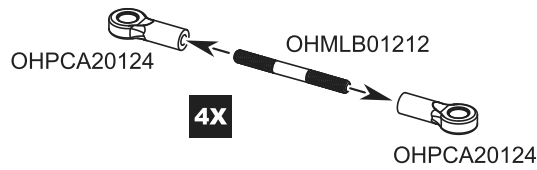
**请使用尖嘴钳夹住丝杆再拧入减震座。**

Please use Needle-nose pliers clamp to rod then twist into the shock absorber seat.



4X OHMLB01212

25

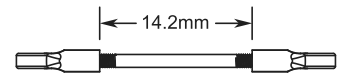
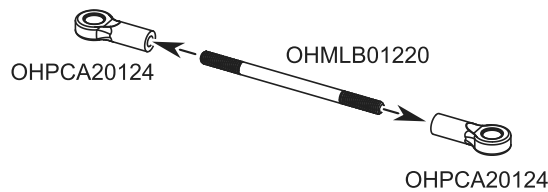


装配后请测量平面至平面距离约为7mm，两端拉杆头保持平行。

After assembling, please measure the distance between planes should be about 7mm. Both two rod ends should keep parallel.

1X OHMLB01220

26

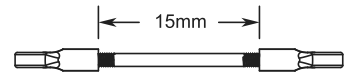
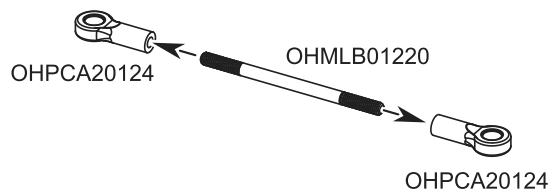


装配后请测量平面至平面距离约为14.2mm，两端拉杆头保持平行。

After assembling, please measure the distance between planes should be about 14.2mm. Both two rod ends should keep parallel.

1X OHMLB01220

27

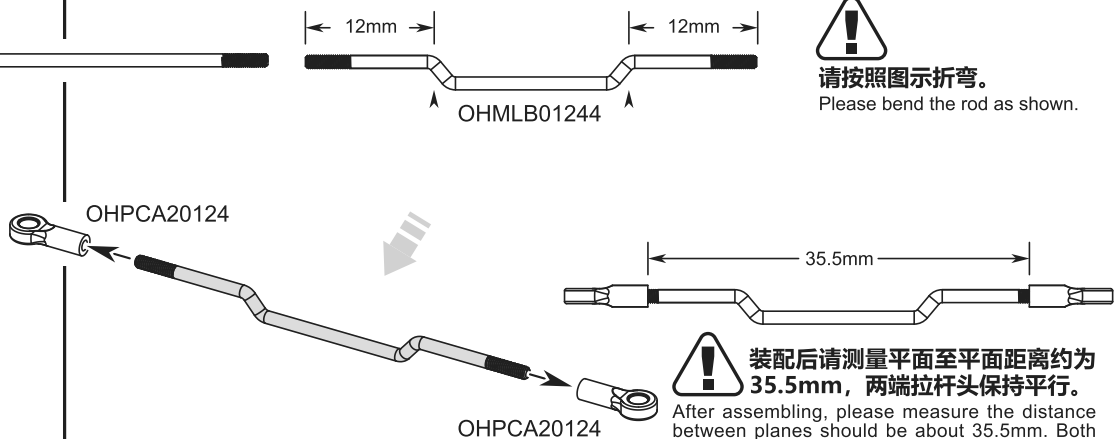


装配后请测量平面至平面距离约为15mm，两端拉杆头保持平行。

After assembling, please measure the distance between planes should be about 15mm. Both two rod ends should keep parallel.

1X OHMLB01244

28



请按照图示折弯。

Please bend the rod as shown.

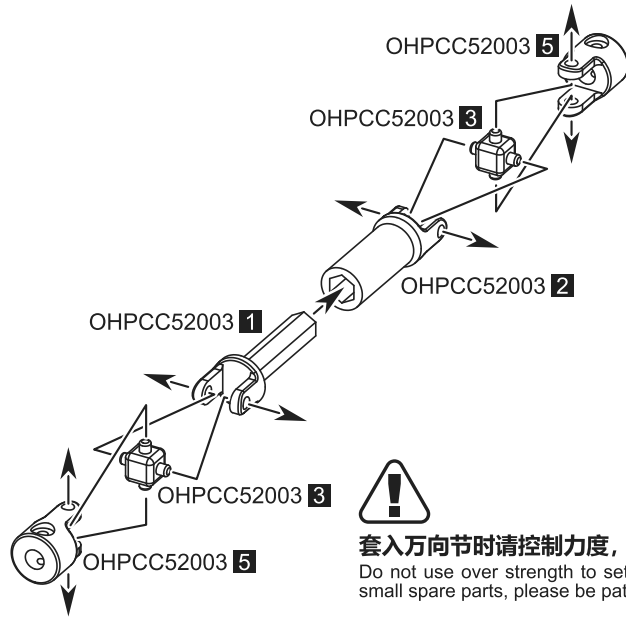


装配后请测量平面至平面距离约为35.5mm，两端拉杆头保持平行。

After assembling, please measure the distance between planes should be about 35.5mm. Both two rod ends should keep parallel.

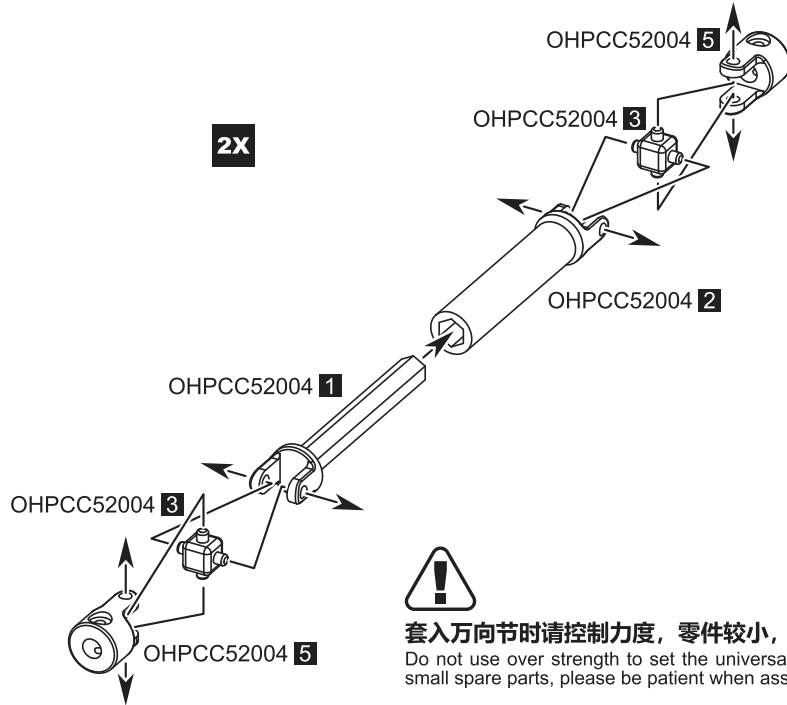


**29**



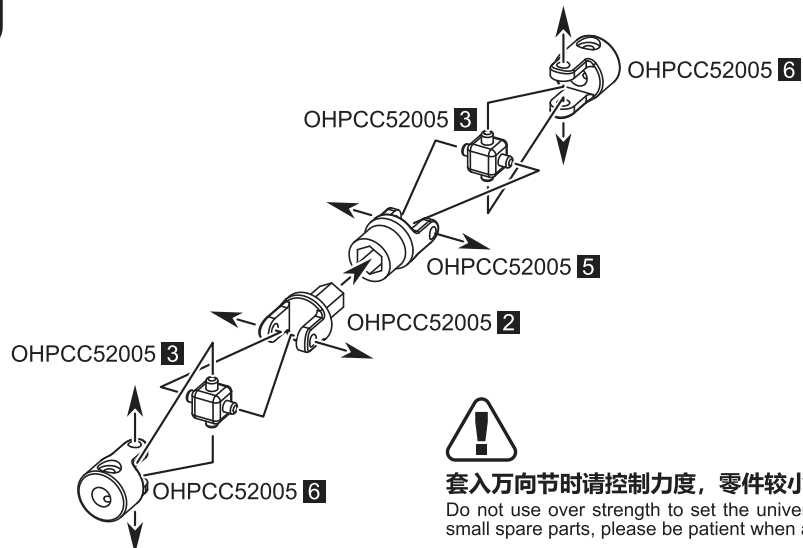
**套入万向节时请控制力度，零件较小，请耐心等待。**  
 Do not use over strength to set the universal ball, due to the small spare parts, please be patient when assembling.

**30**



**套入万向节时请控制力度，零件较小，请耐心等待。**  
 Do not use over strength to set the universal ball, due to the small spare parts, please be patient when assembling.

**31**

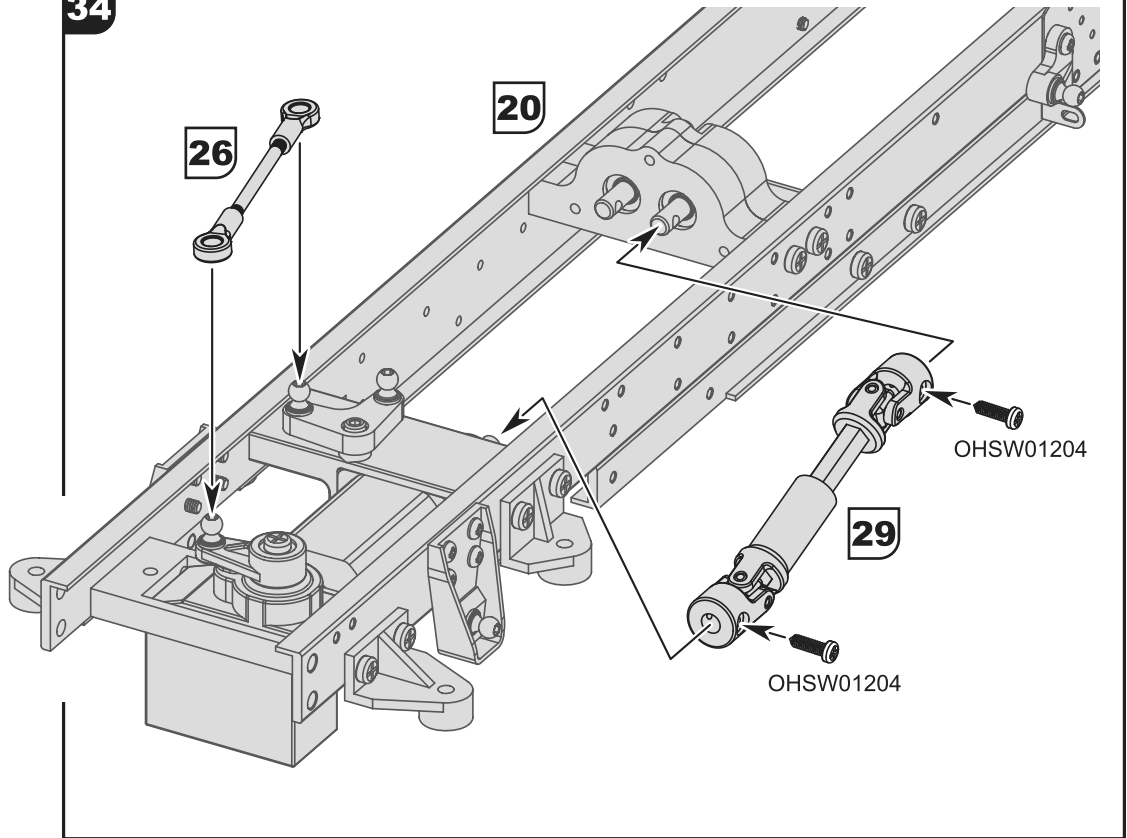


**套入万向节时请控制力度，零件较小，请耐心等待。**  
 Do not use over strength to set the universal ball, due to the small spare parts, please be patient when assembling.



**2X** OHSW01204

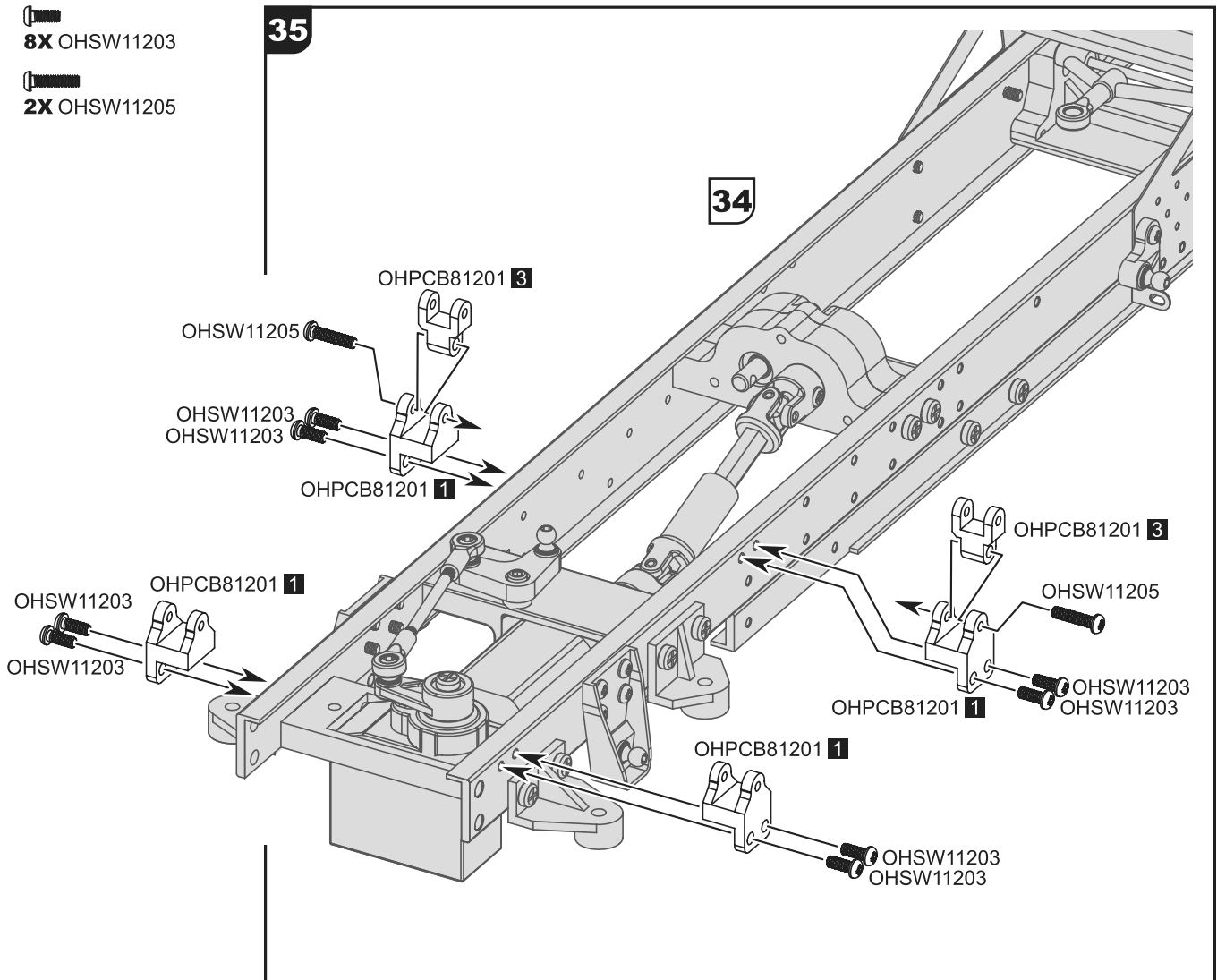
**34**





**8X** OHSW11203

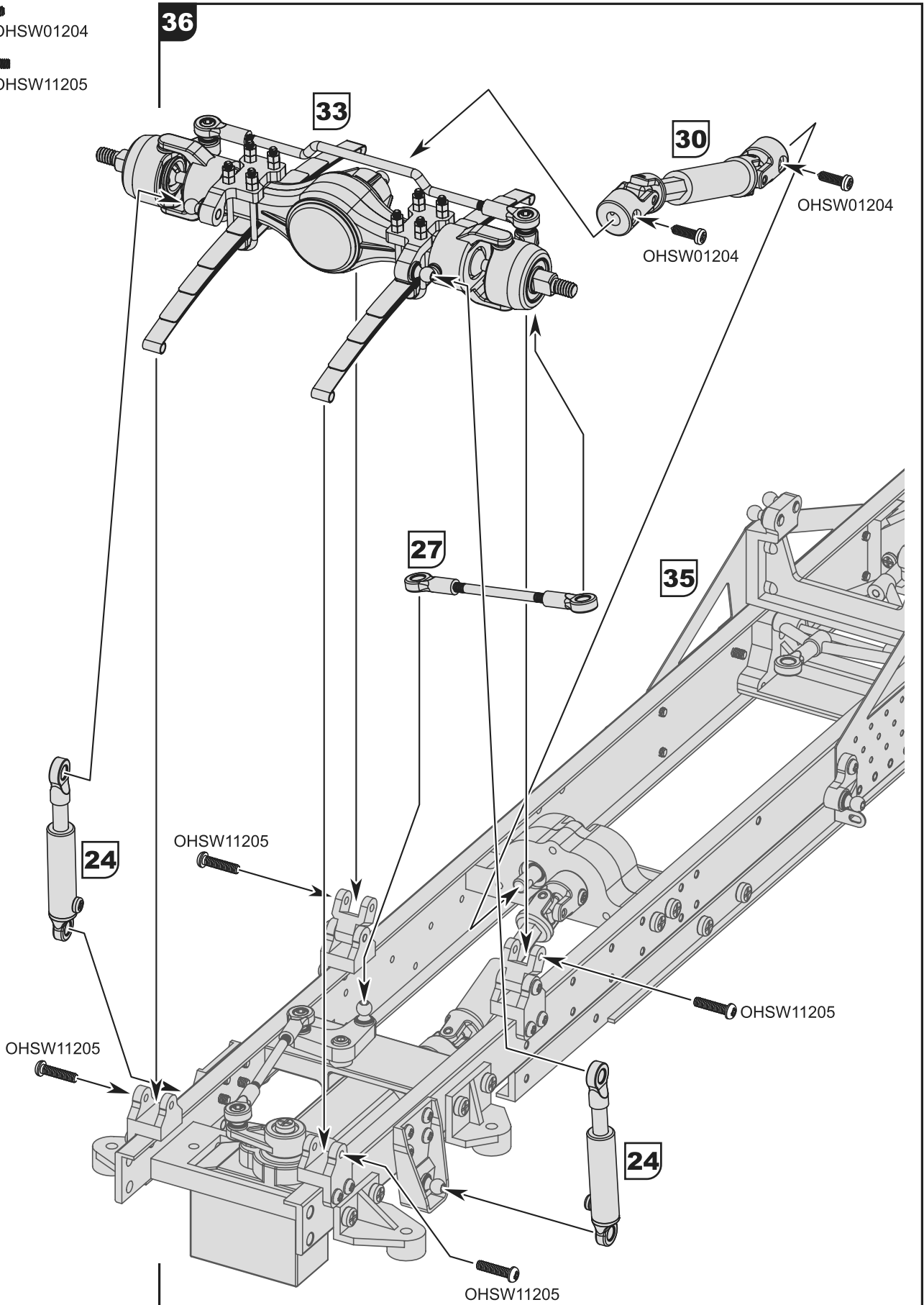
**2X** OHSW11205

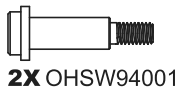
**35**



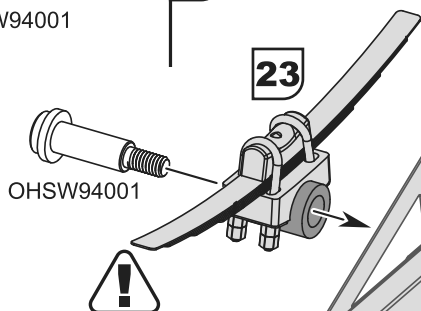
 **2X** OHSW01204

 **4X** OHSW11205



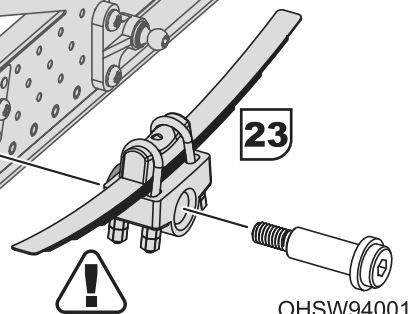


**37**



**注意零件方向!**  
 Pay attention the direction  
 of the spare parts!

**36**



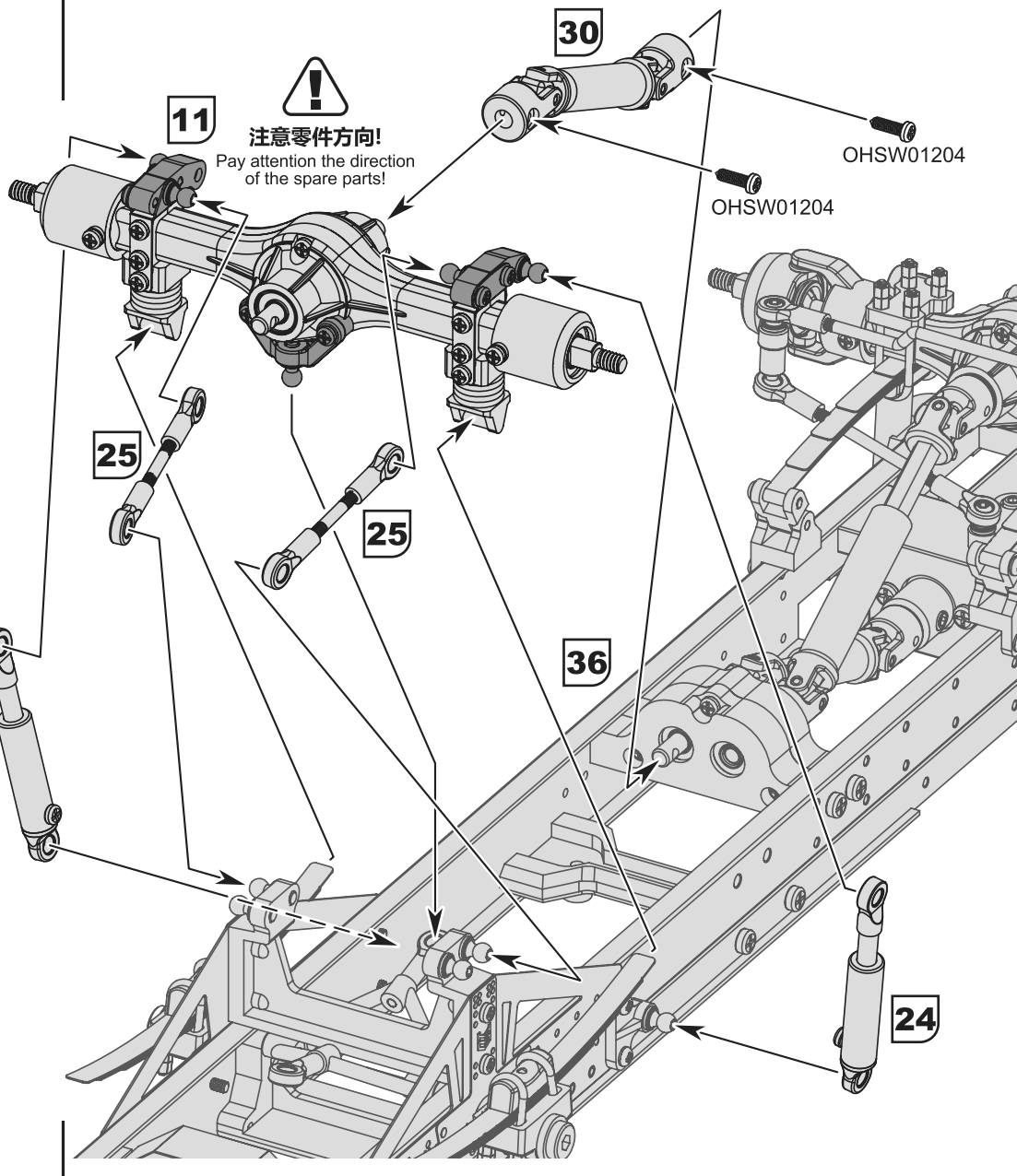
**注意零件方向!**  
 Pay attention the direction  
 of the spare parts!

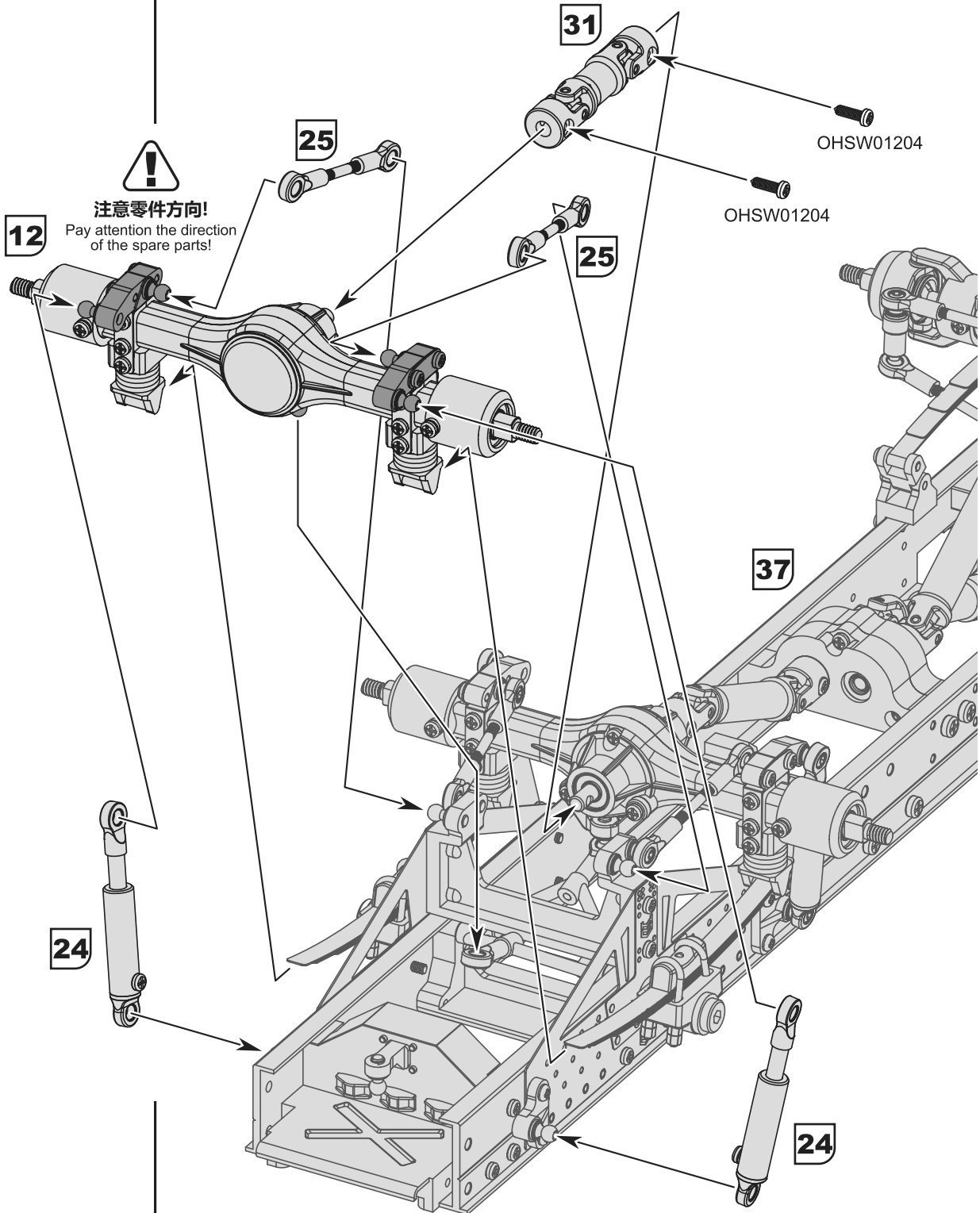


**11**

**注意零件方向!**  
 Pay attention the direction  
 of the spare parts!

**30**





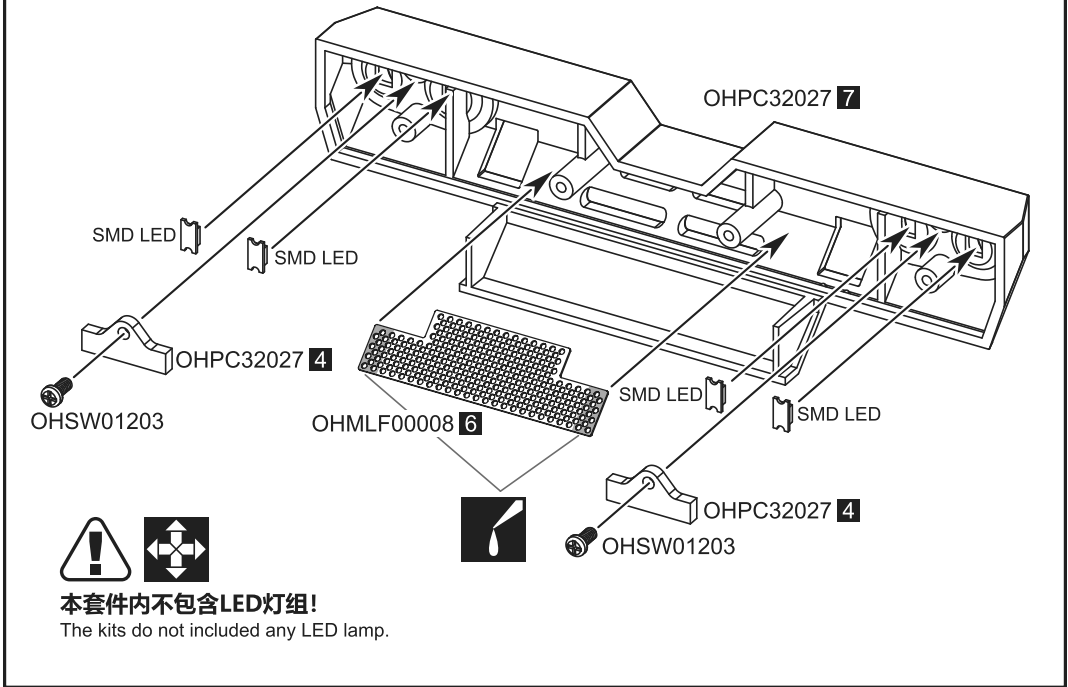
**D**

打开包裹“D”

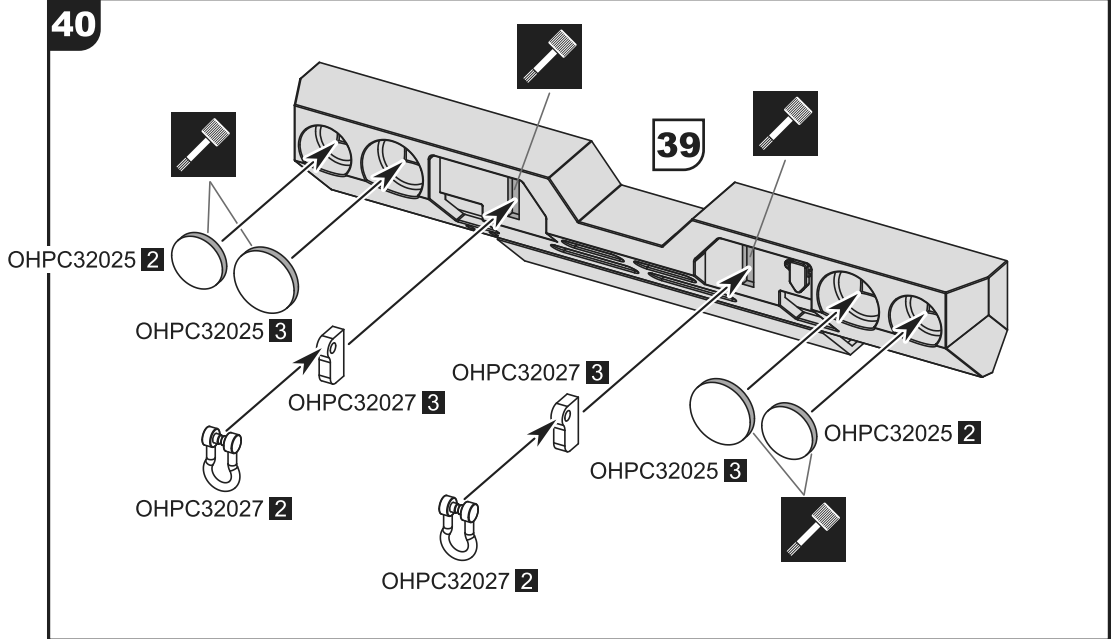


2X OHSW01203

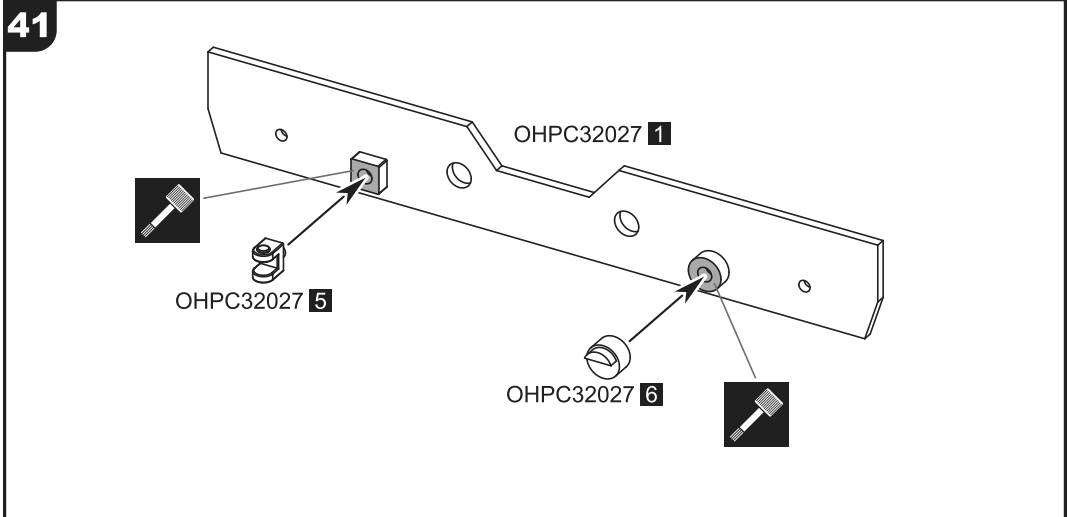
**39**



**40**



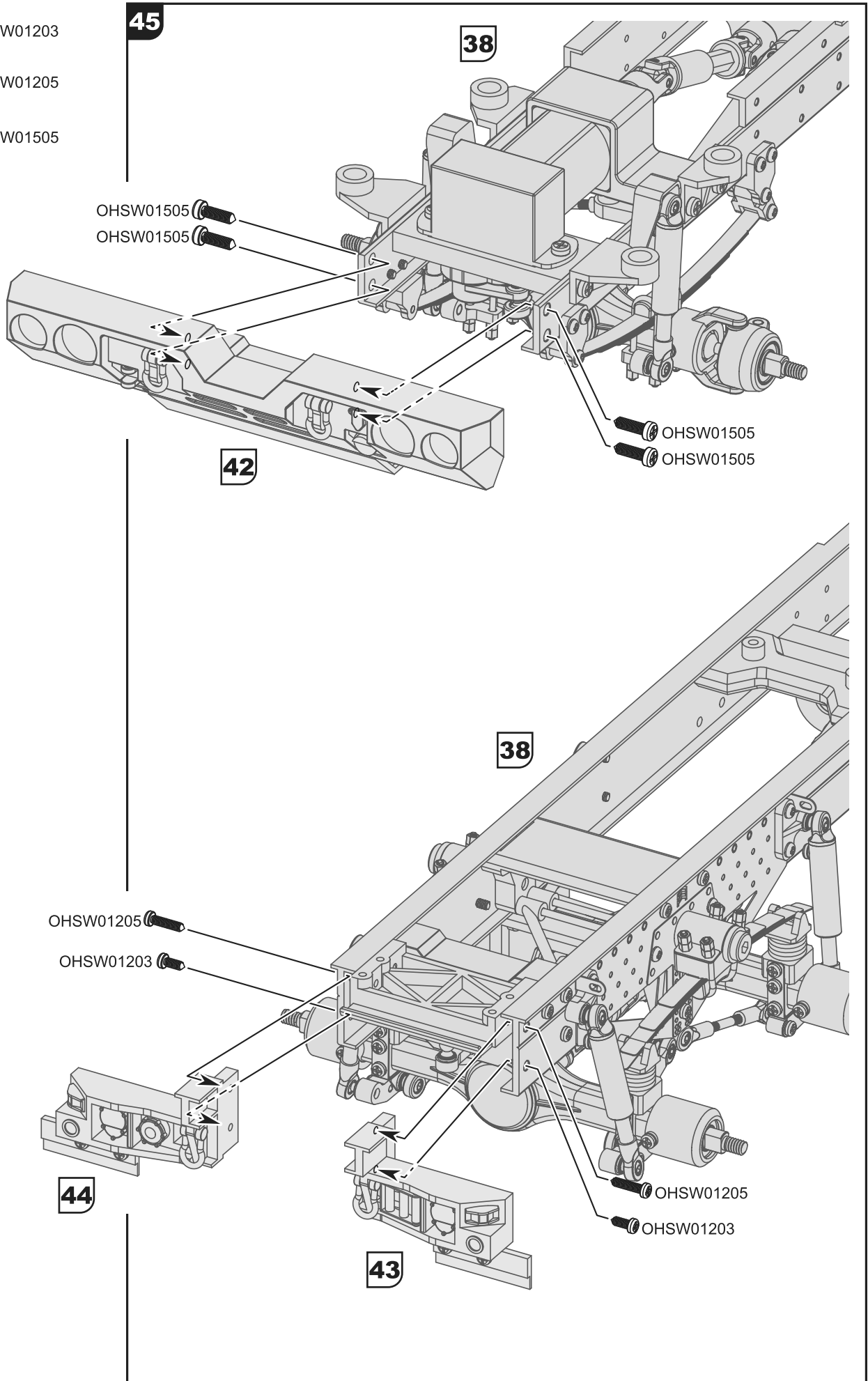
**41**








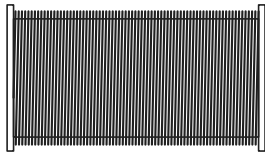
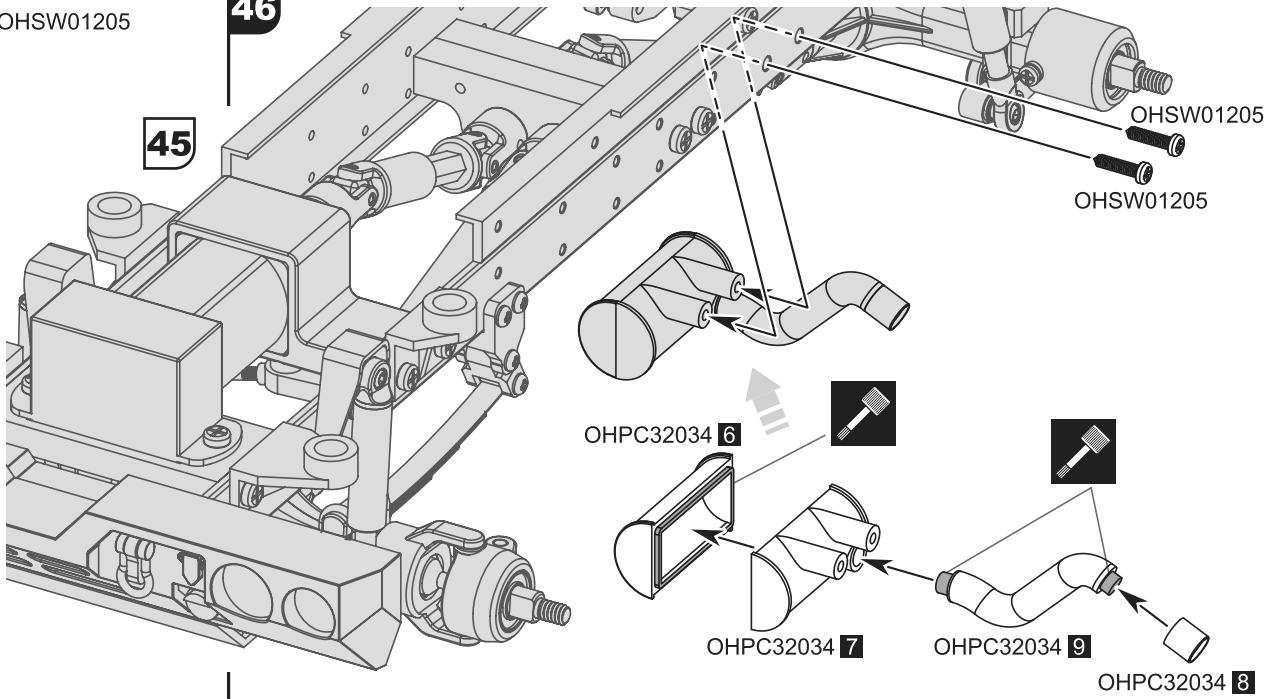
-  **2X** OHSW01203
-  **2X** OHSW01205
-  **4X** OHSW01505



 **2X** OHSW01205

**46**

**45**

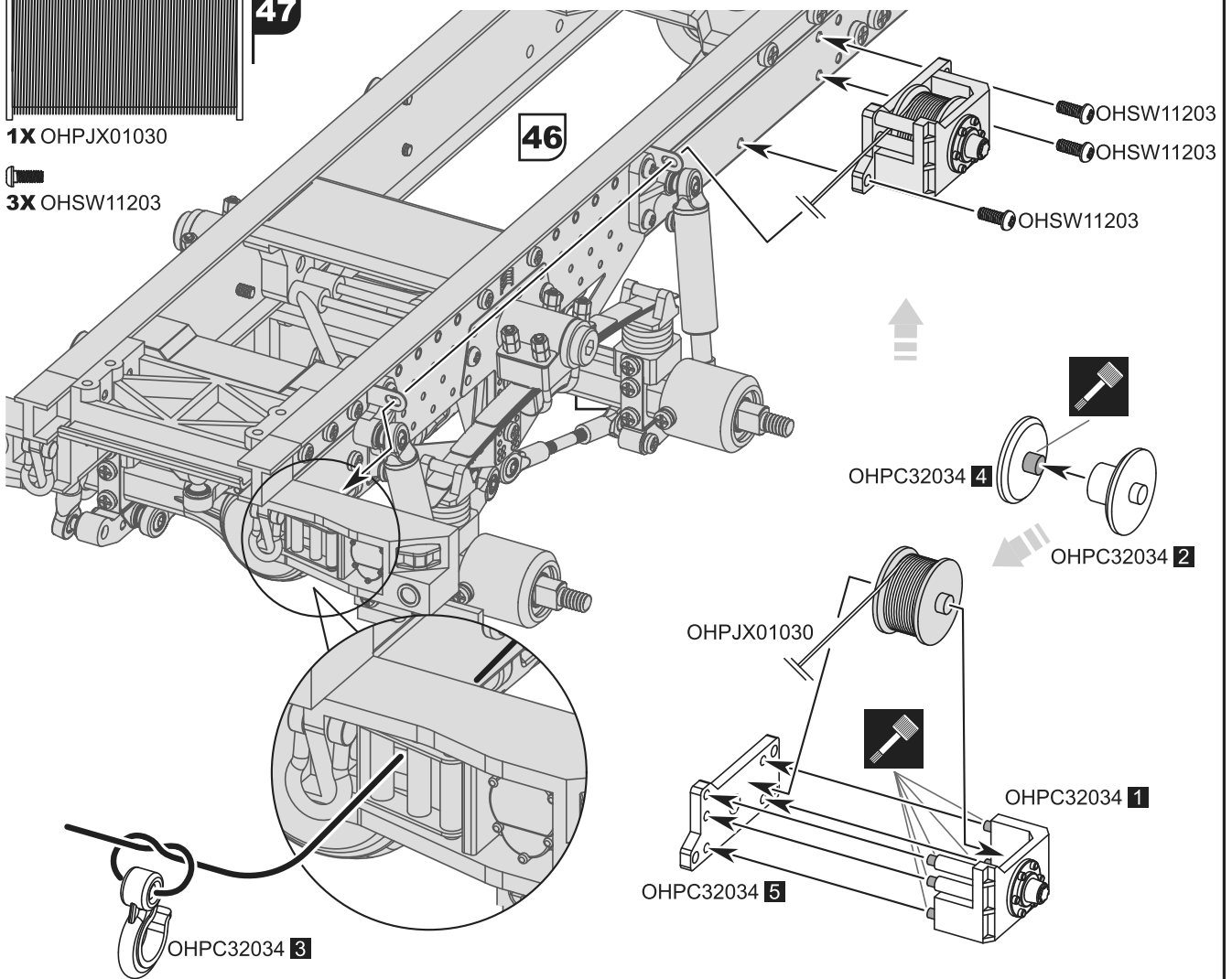


**1X** OHPJX01030

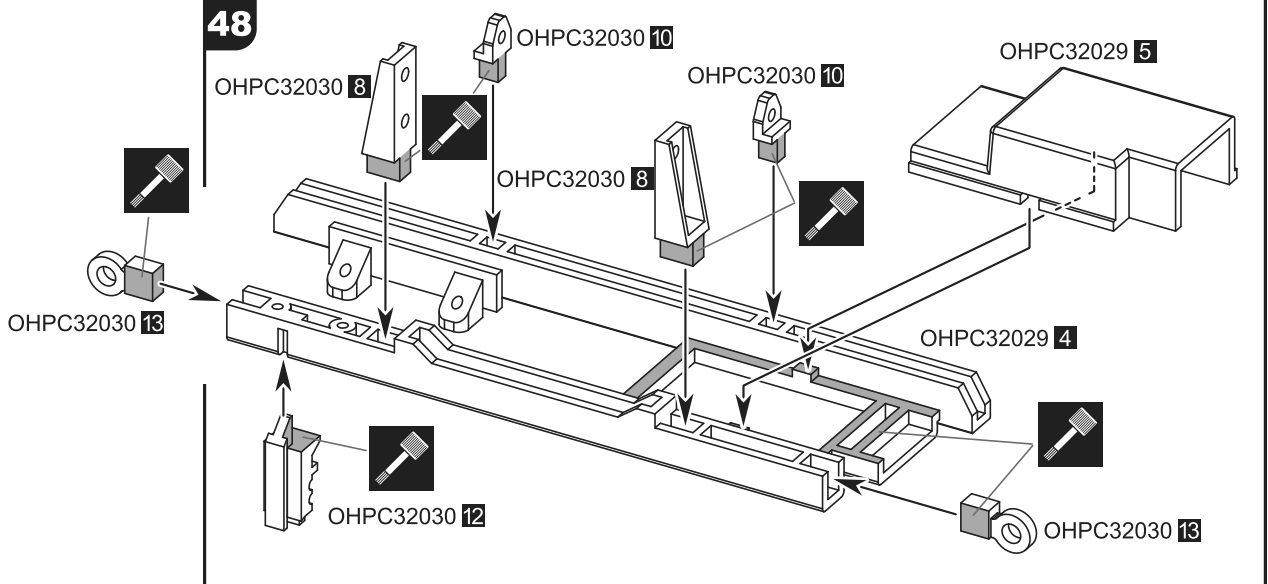
 **3X** OHSW11203

**47**

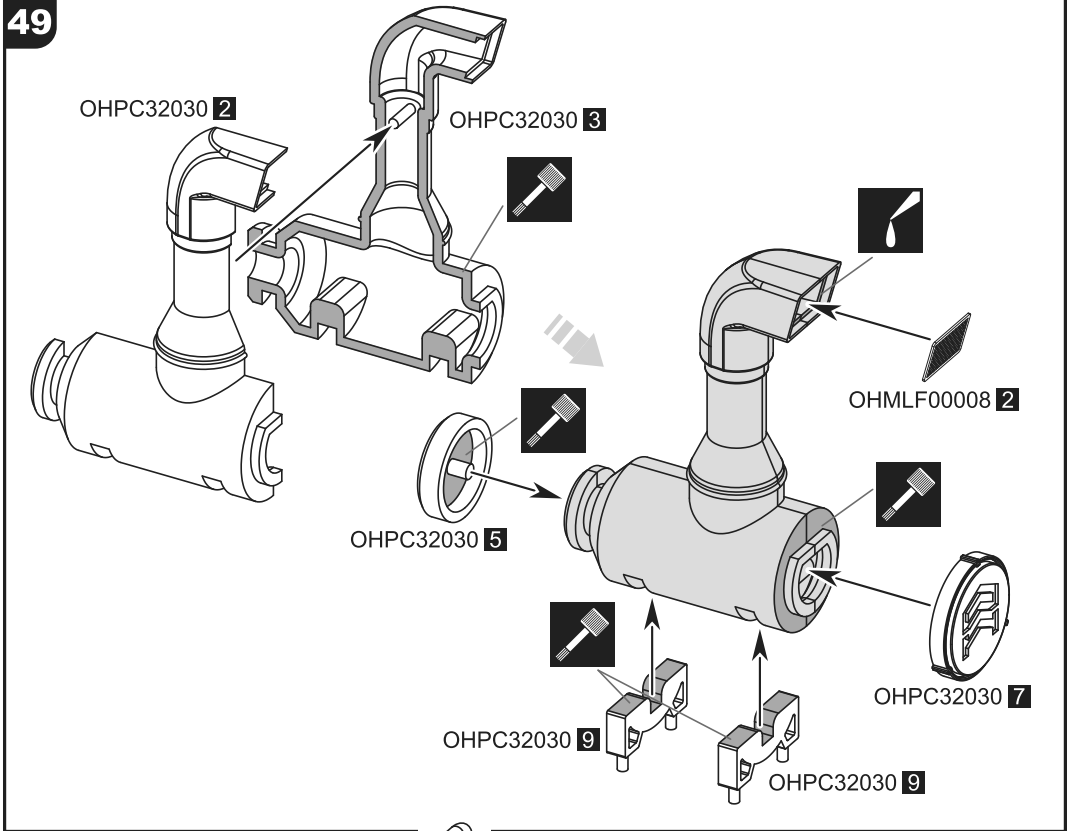
**46**



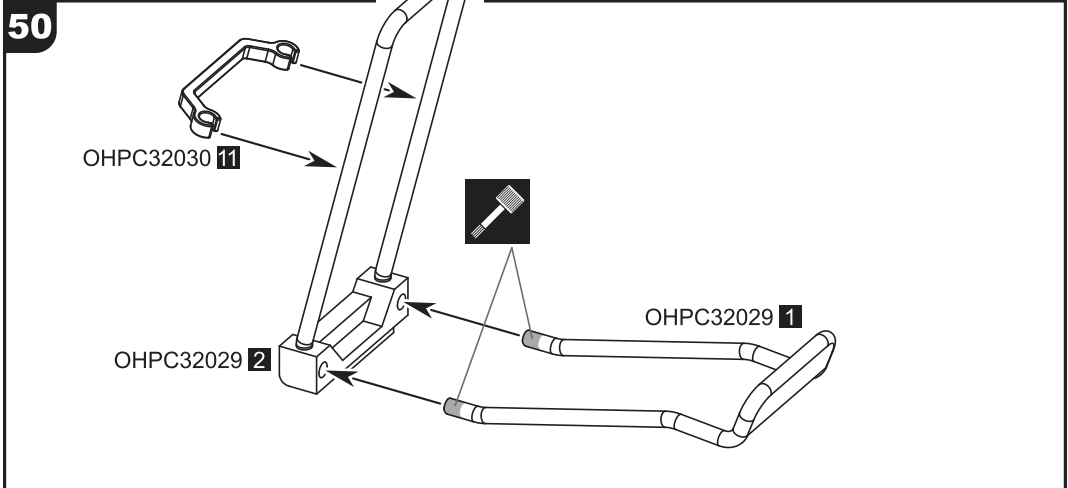
**48**



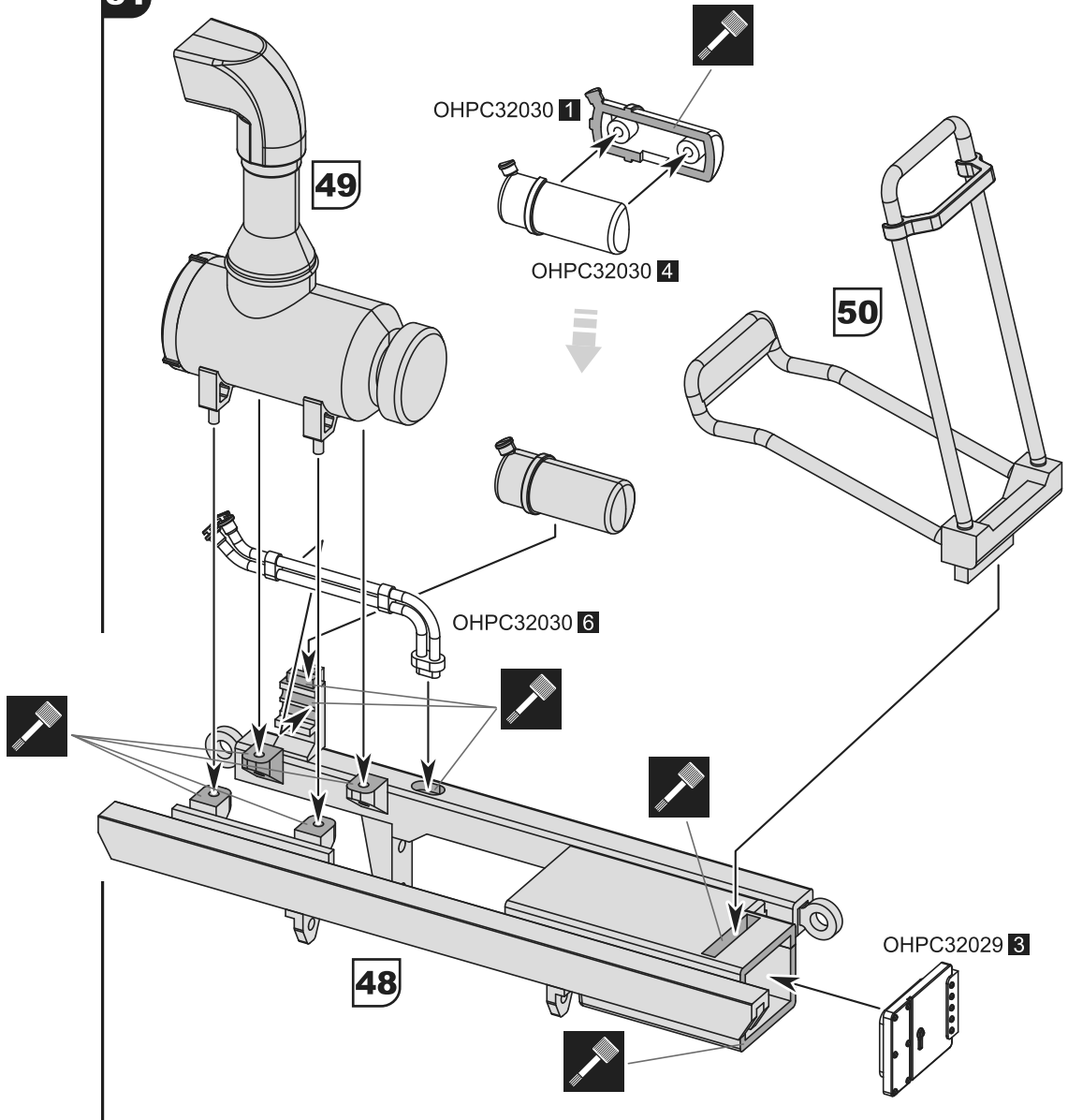
**49**



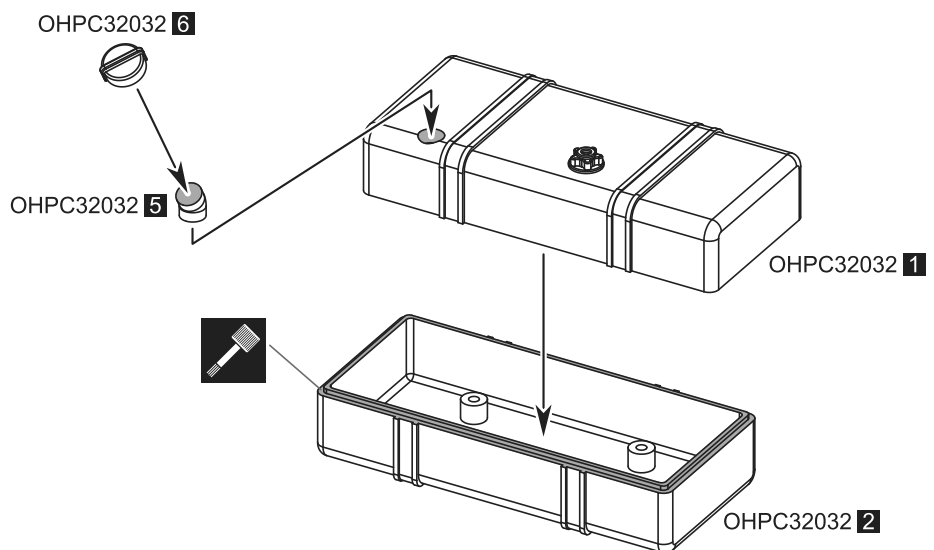
**50**



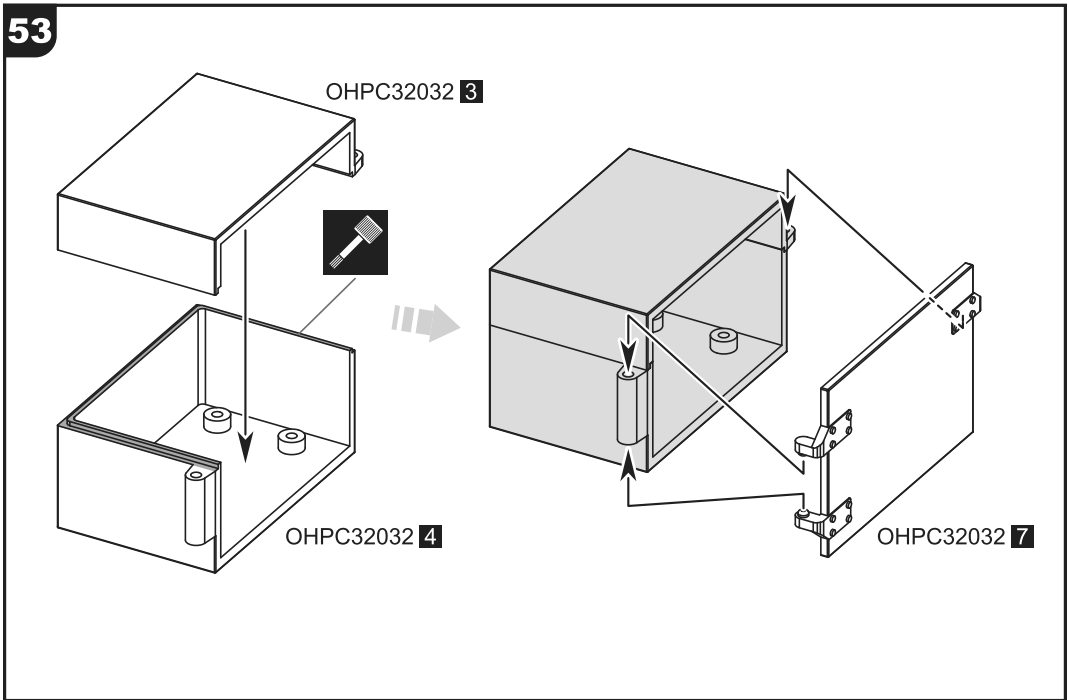
51



52

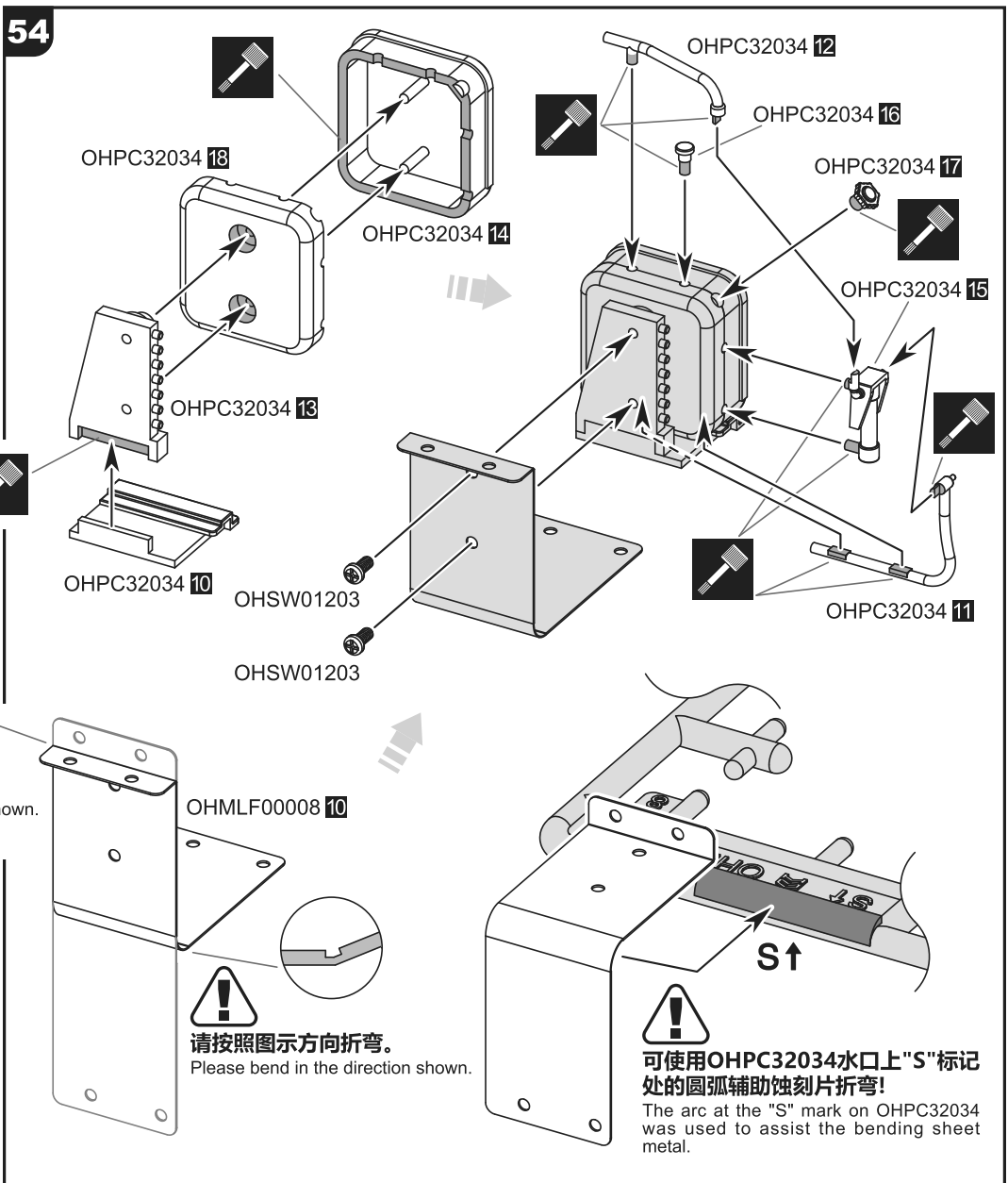


**53**



**2X** OHSW01203

**54**



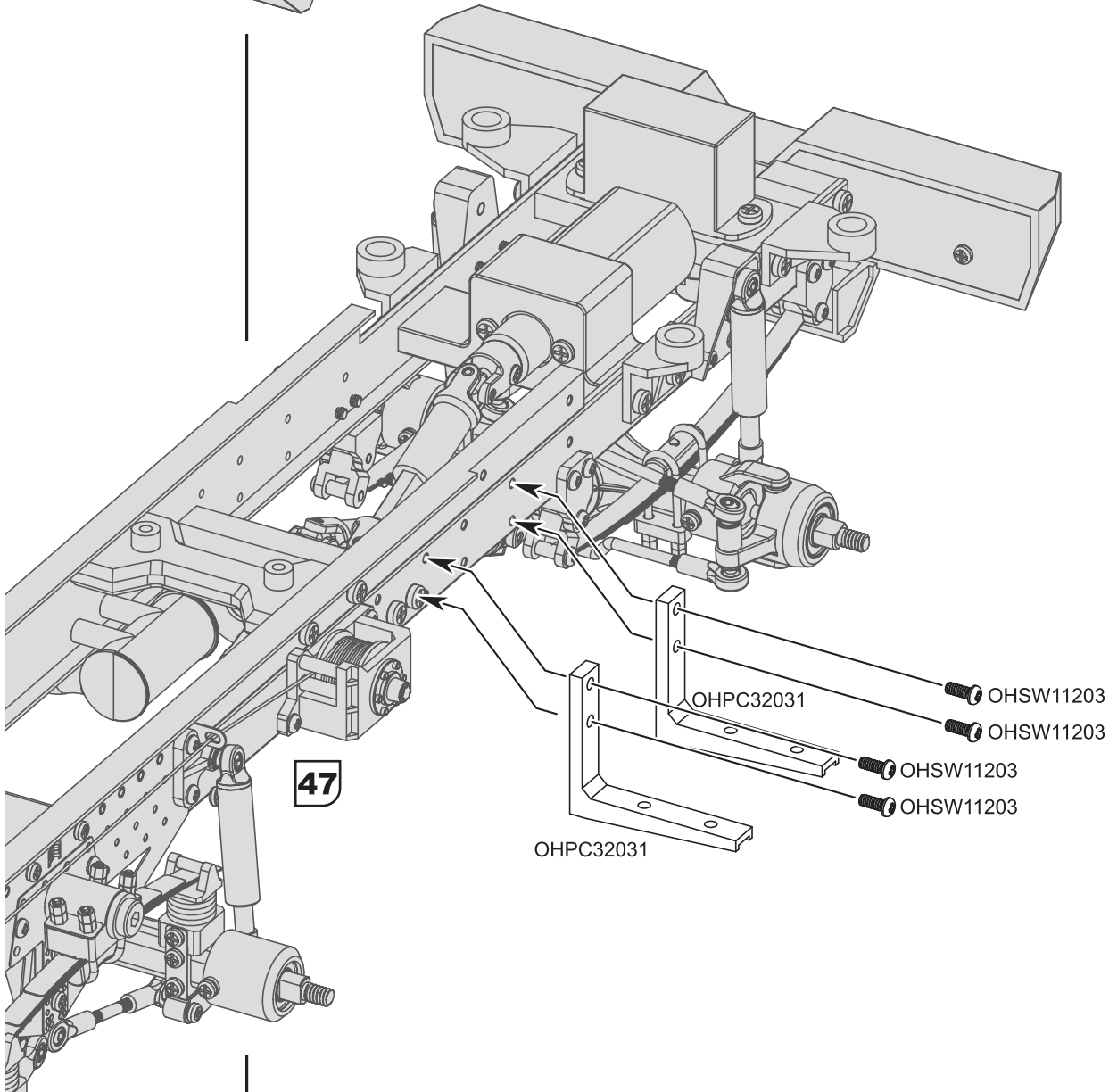
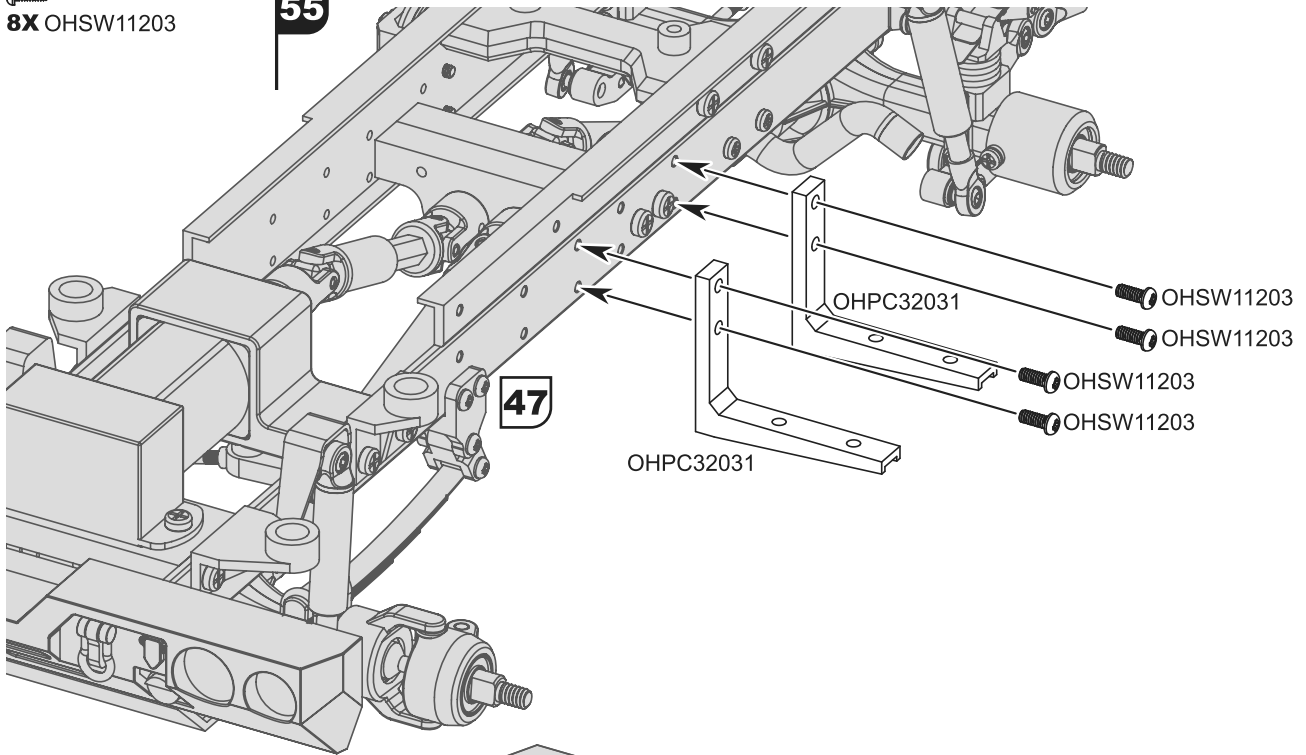
**请按照图示方向折弯。**  
 Please bend in the direction shown.




**请按照图示方向折弯。**  
 Please bend in the direction shown.



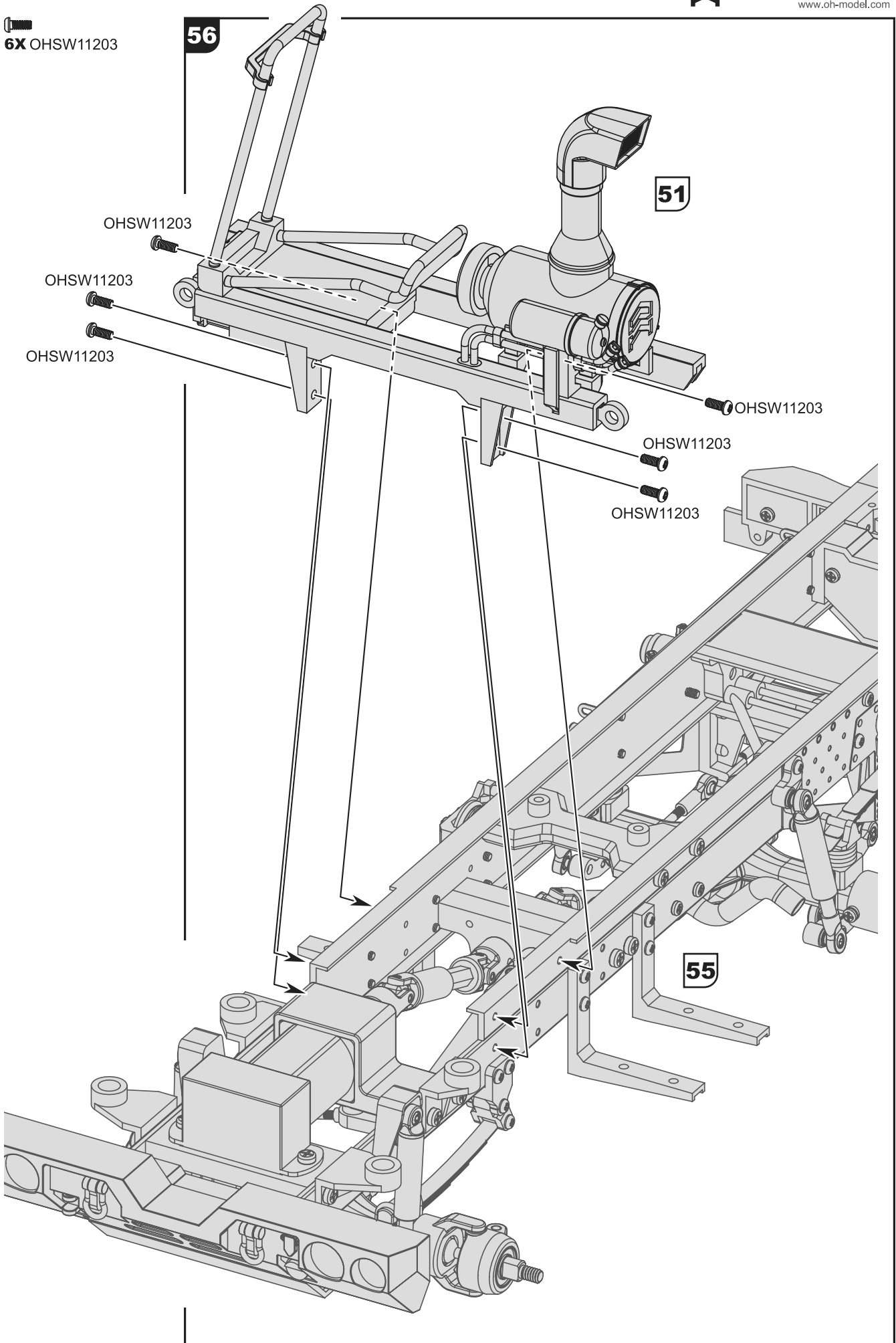
**可使用OHPC32034水口上"S"标记处的圆弧辅助蚀刻片折弯!**  
 The arc at the "S" mark on OHPC32034 was used to assist the bending sheet metal.



 **6X** OHSW11203

**56**

**51**



OHSW11203

OHSW11203

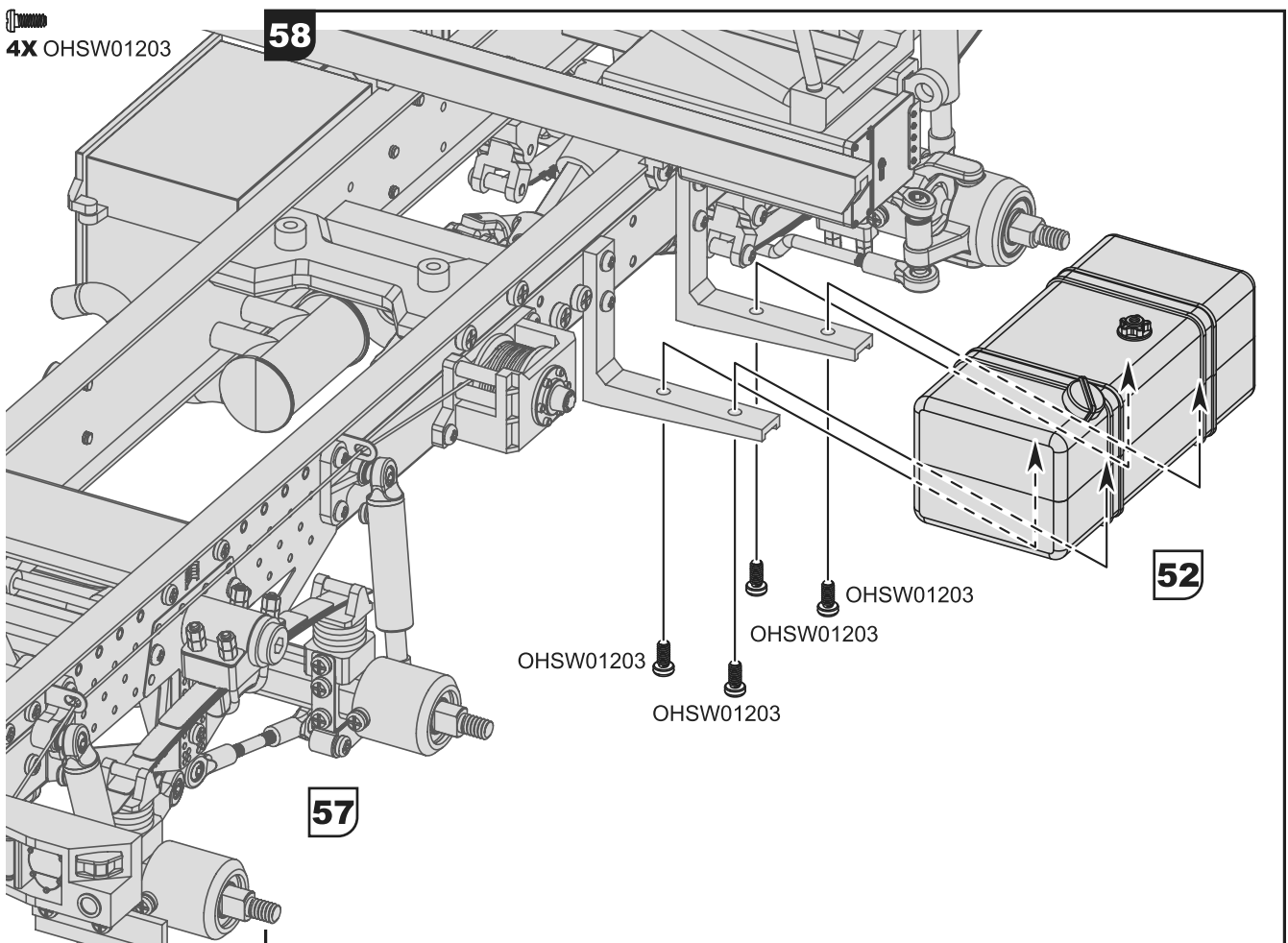
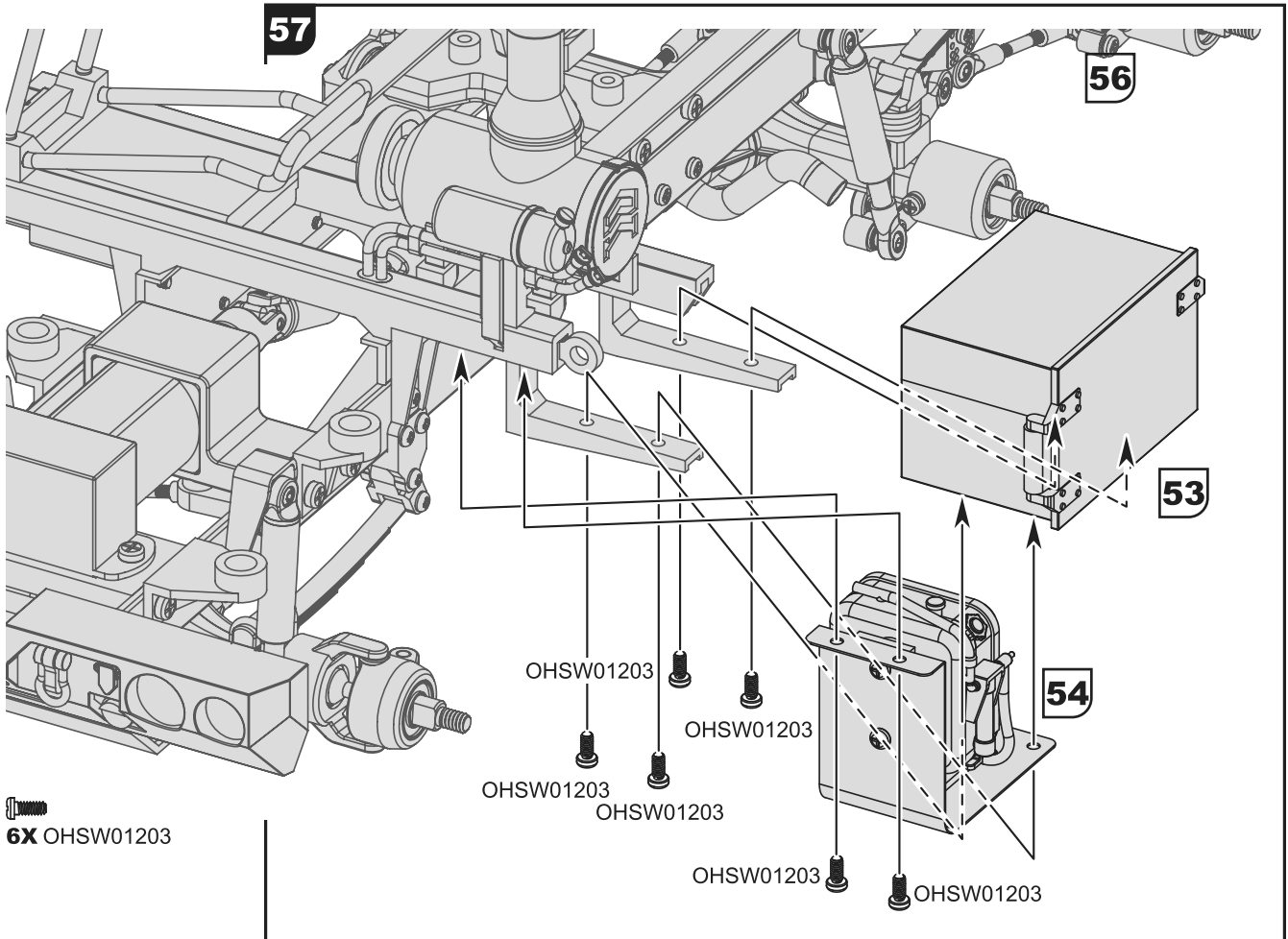
OHSW11203

OHSW11203

OHSW11203

OHSW11203

**55**



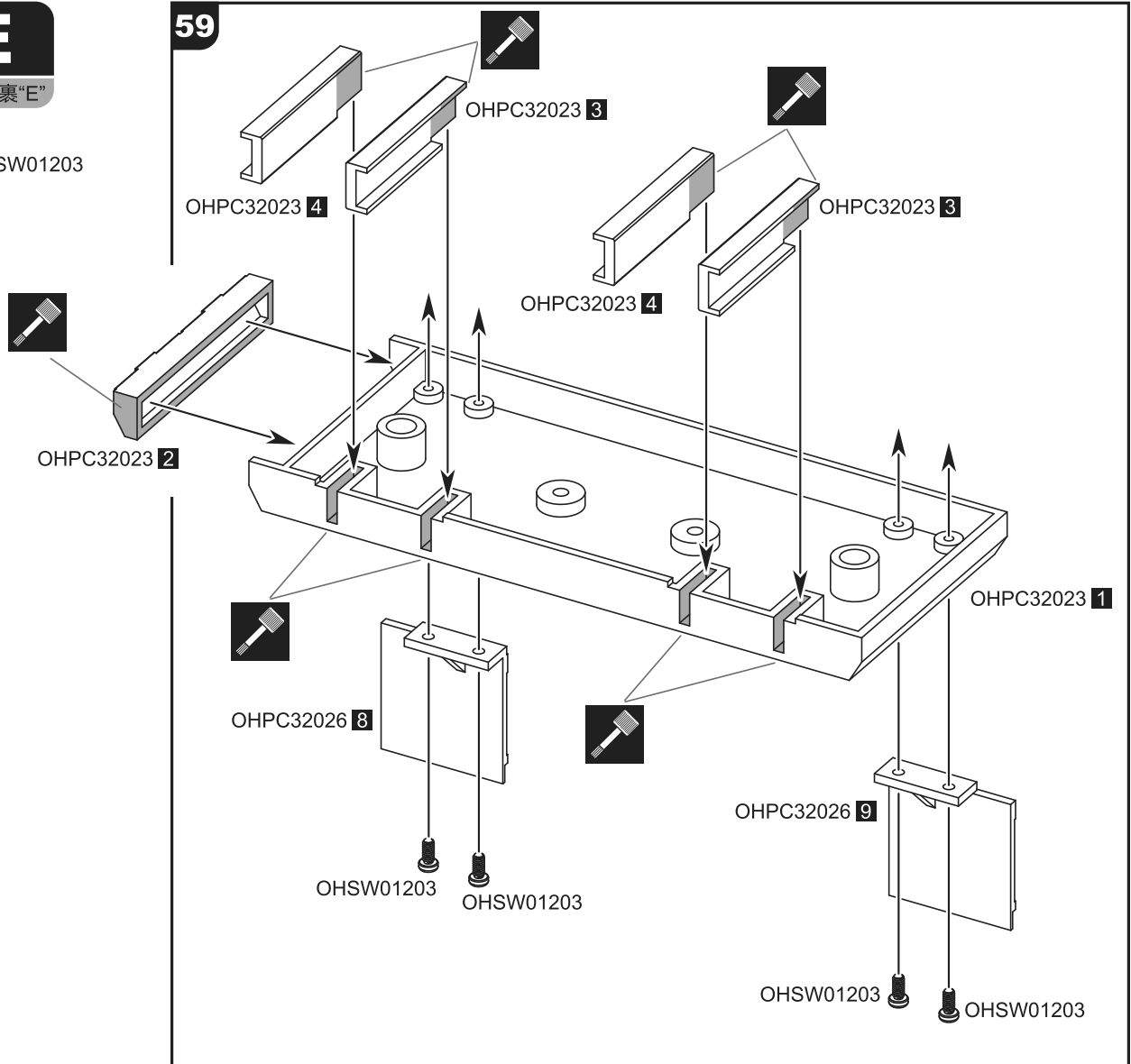


**E**

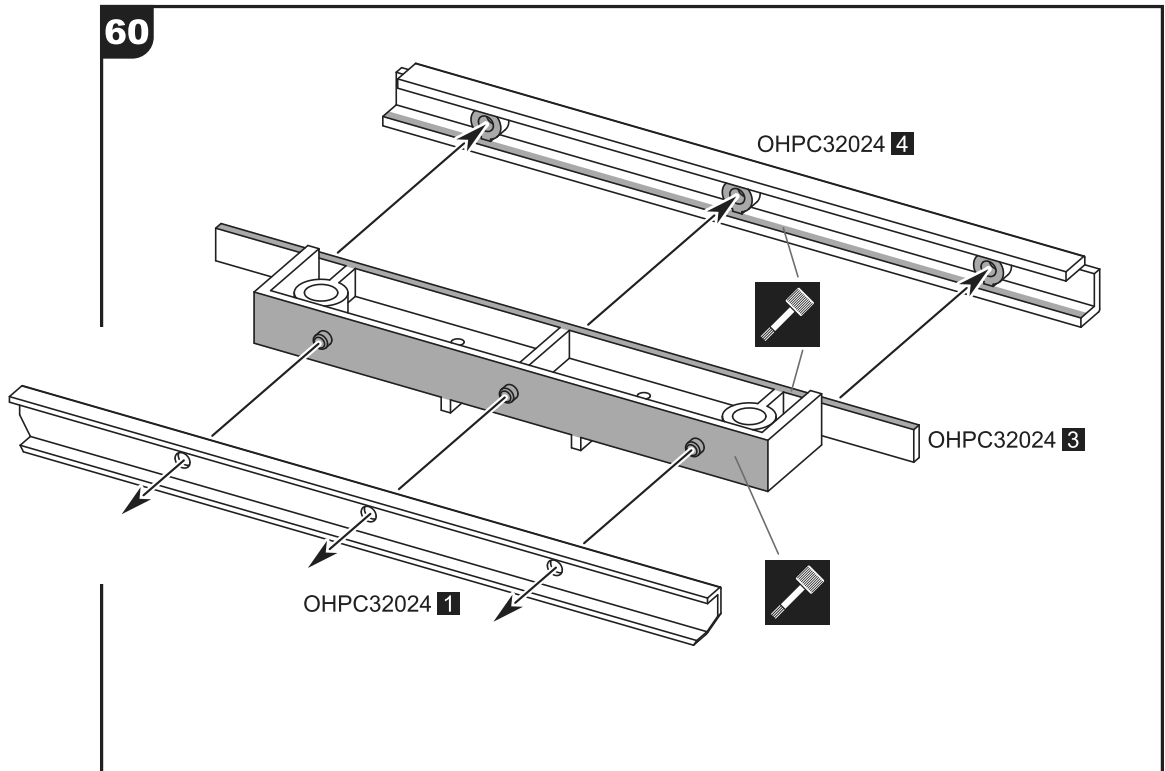
打开包裹“E”

4X OHSW01203

**59**



**60**





4X OHPC32028



4X OHWS01205

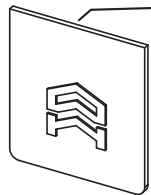


2X OHWS01505

61

59

OHSW01505  
OHSW01505



OHPC32028

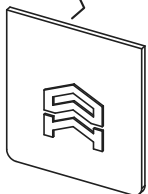


OHPC32028

60

OHSW01205  
OHSW01205  
OHSW01205  
OHSW01205

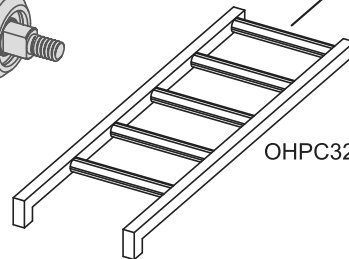
58



OHPC32028



OHPC32028

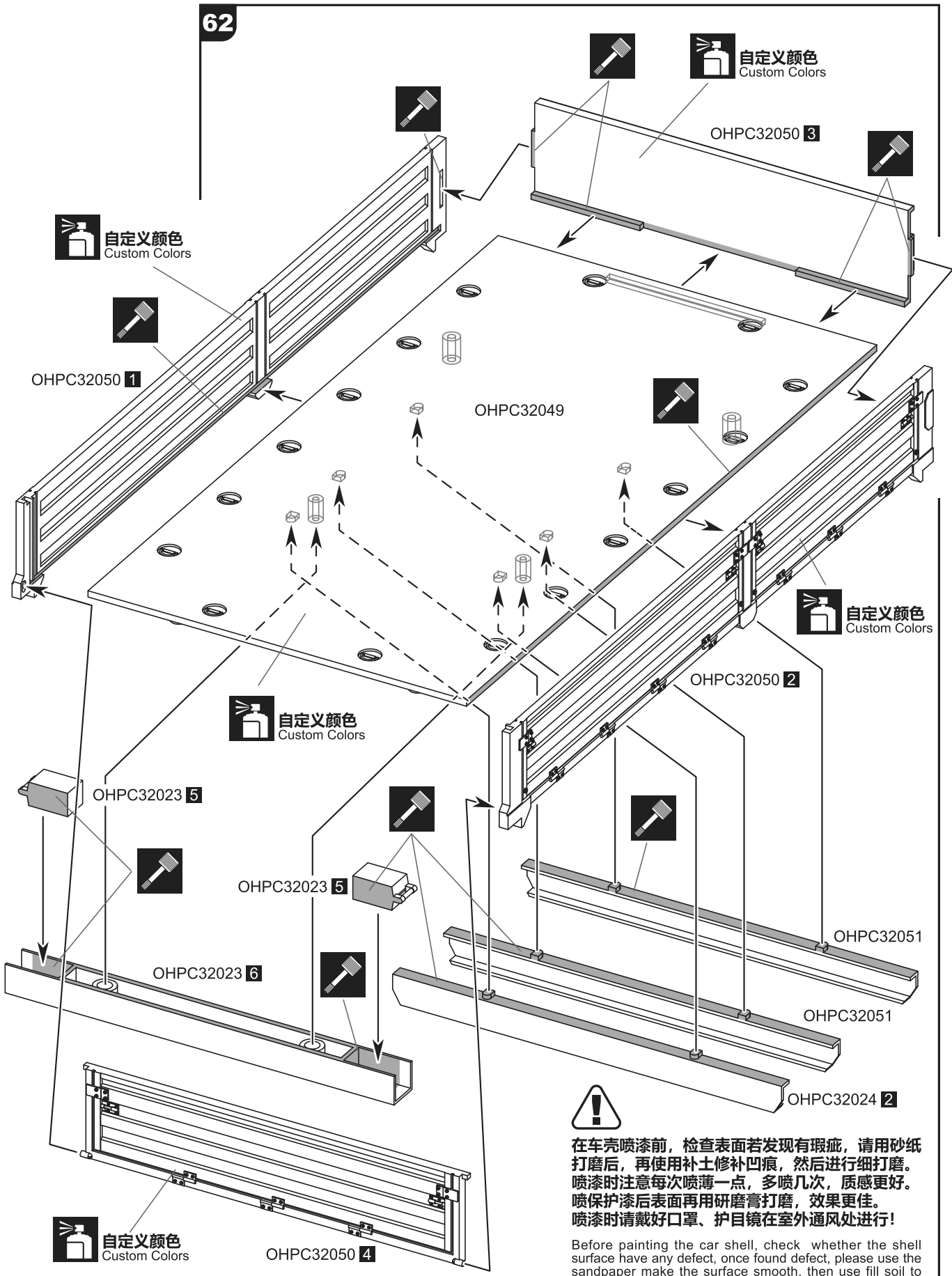


OHPC32026 1



OH32M02 KIT

62



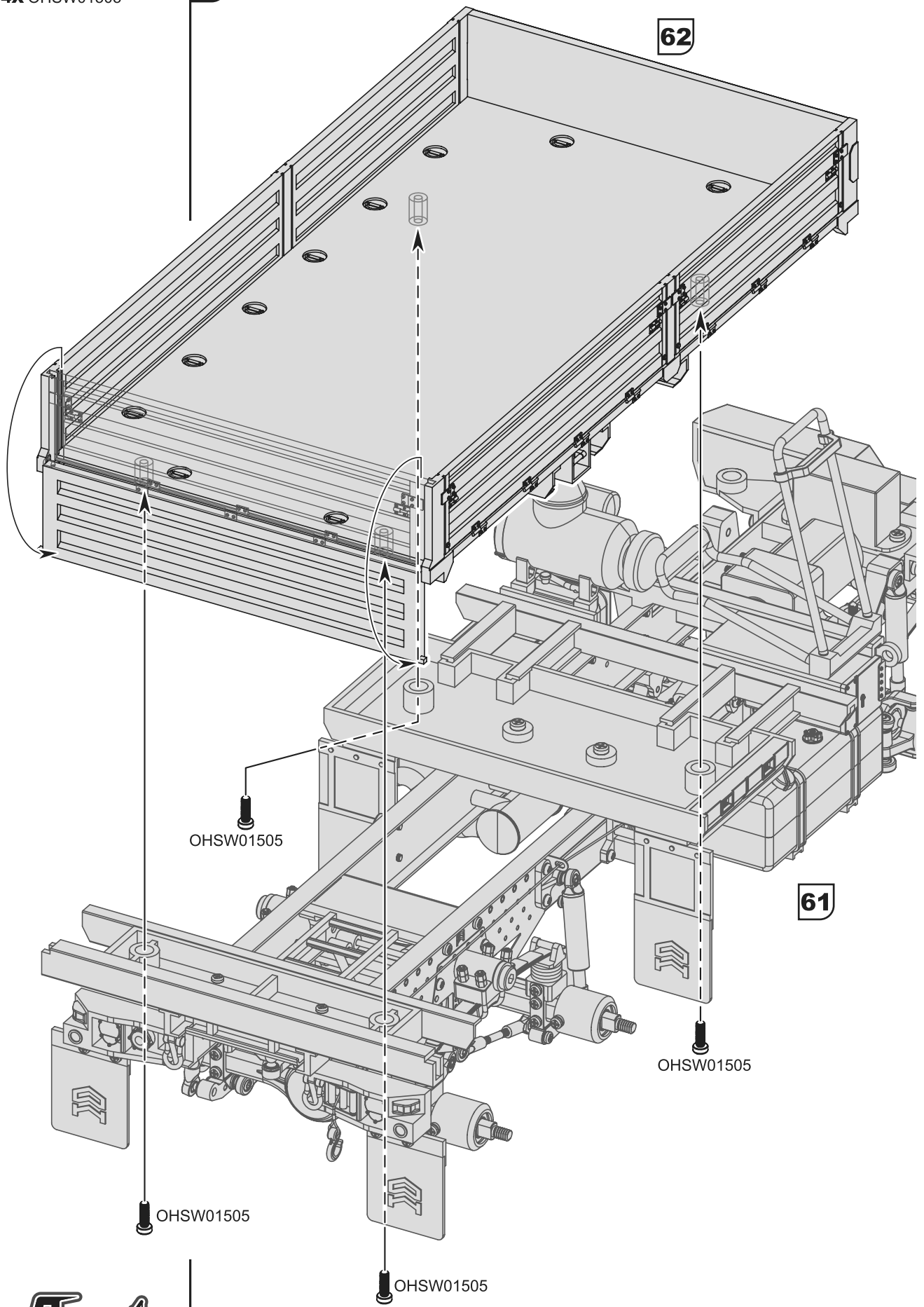
**在车壳喷漆前，检查表面若发现有瑕疵，请用砂纸打磨后，再使用补土修补凹痕，然后进行细打磨。喷漆时注意每次喷薄一点，多喷几次，质感更好。喷保护漆后表面再用研磨膏打磨，效果更佳。喷漆时请戴好口罩、护目镜在室外通风处进行！**

Before painting the car shell, check whether the shell surface have any defect, once found defect, please use the sandpaper make the surface smooth, then use fill soil to cover the dent. When spray the shell please each time spray little, try to spray more times, it will show better Textured. After spray the shell, then use the polishing paste to polishing, will get better effective. When spray the shell, please wear masks and goggle first and work at the outdoor ventilation place!

63

62

61



# F

打开包裹“F”



1X OHSGB32516

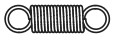
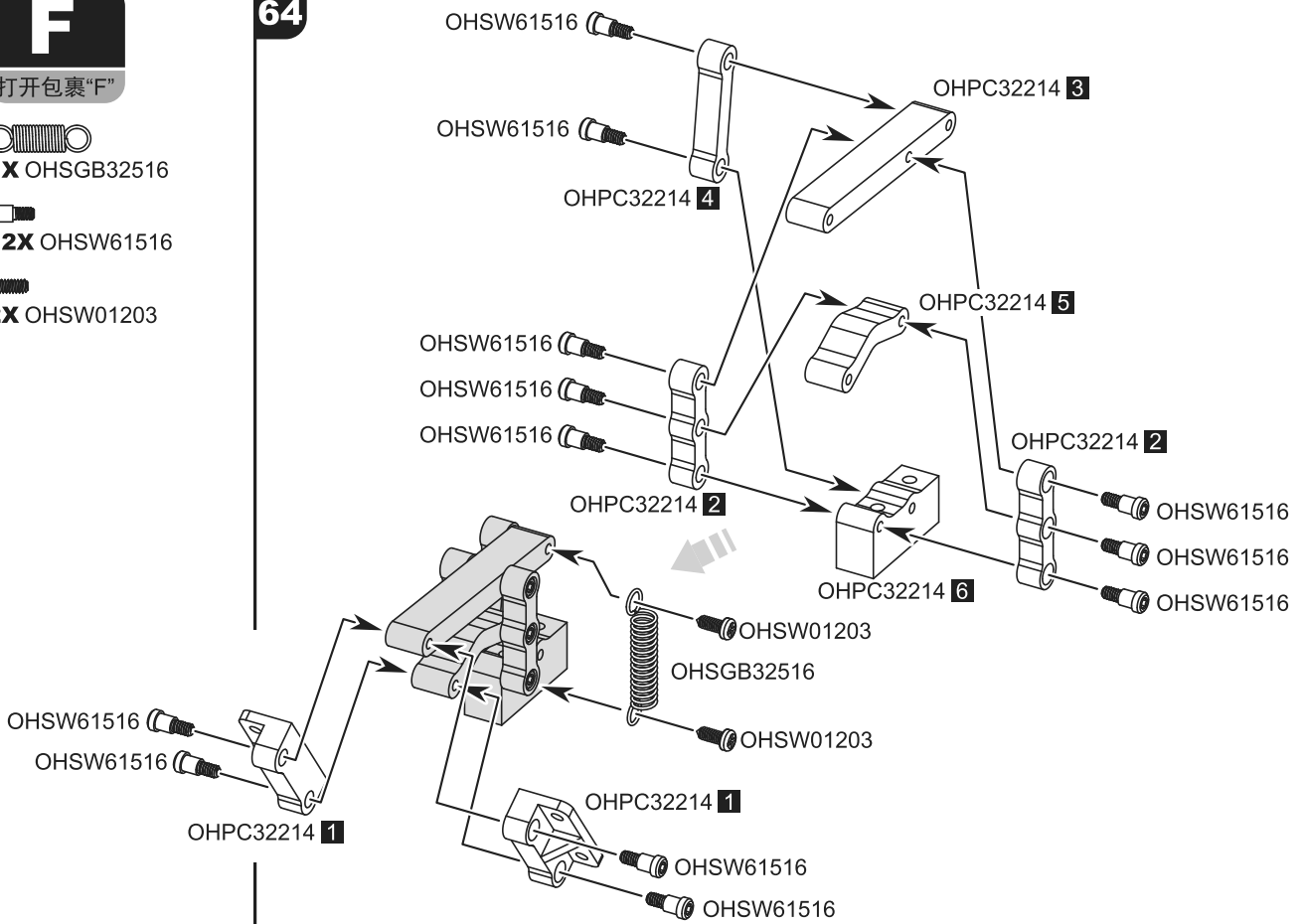


12X OHSW61516



2X OHSW01203

64



1X OHSGB32516

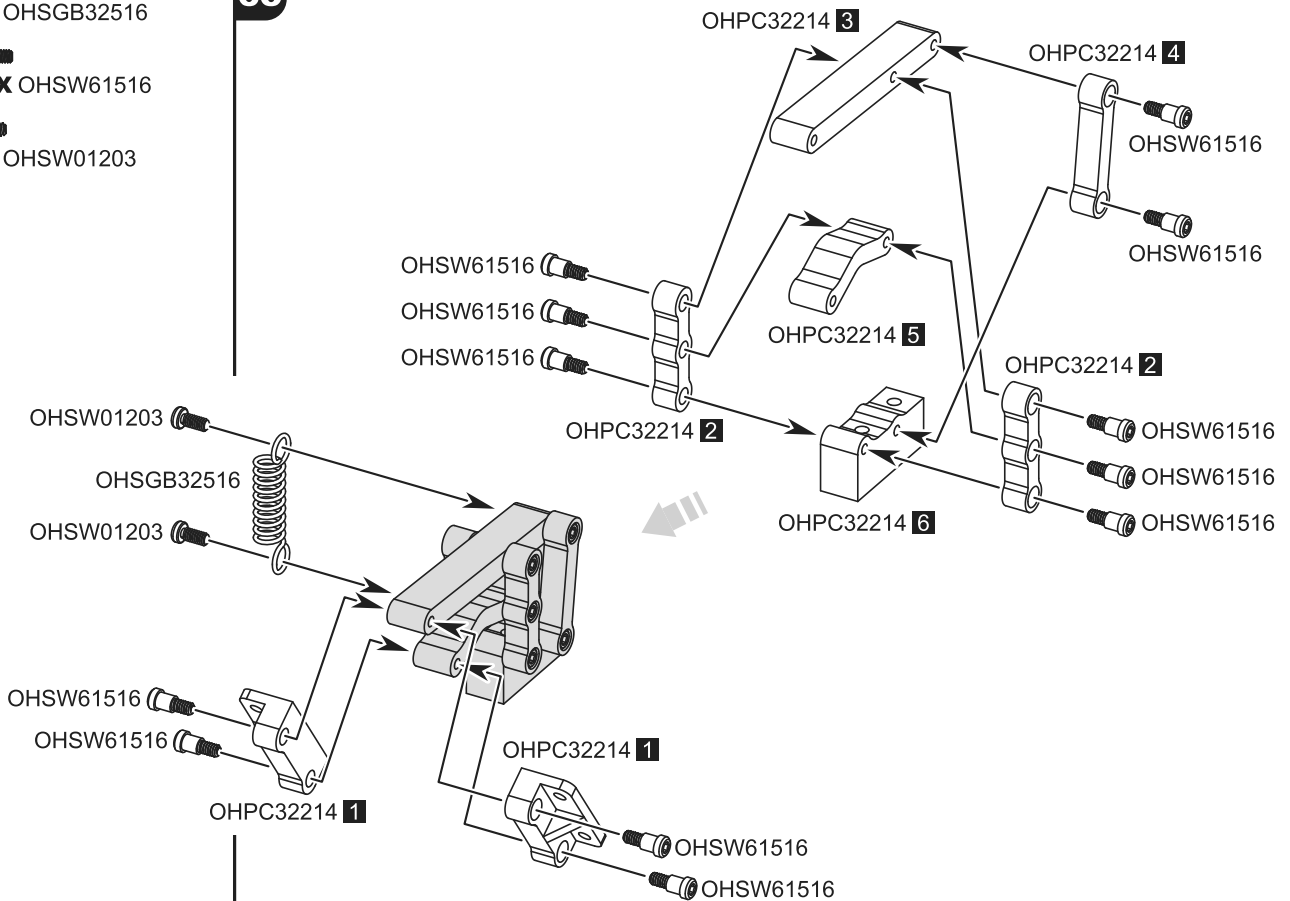


12X OHSW61516



2X OHSW01203

65



-  **6X** OHSW01203
-  **2X** OHSW01205
-  **4X** OHSW01505

**66**



请按照图示方向折弯。  
Please bend in the direction shown.



请按照图示方向折弯。  
Please bend in the direction shown.



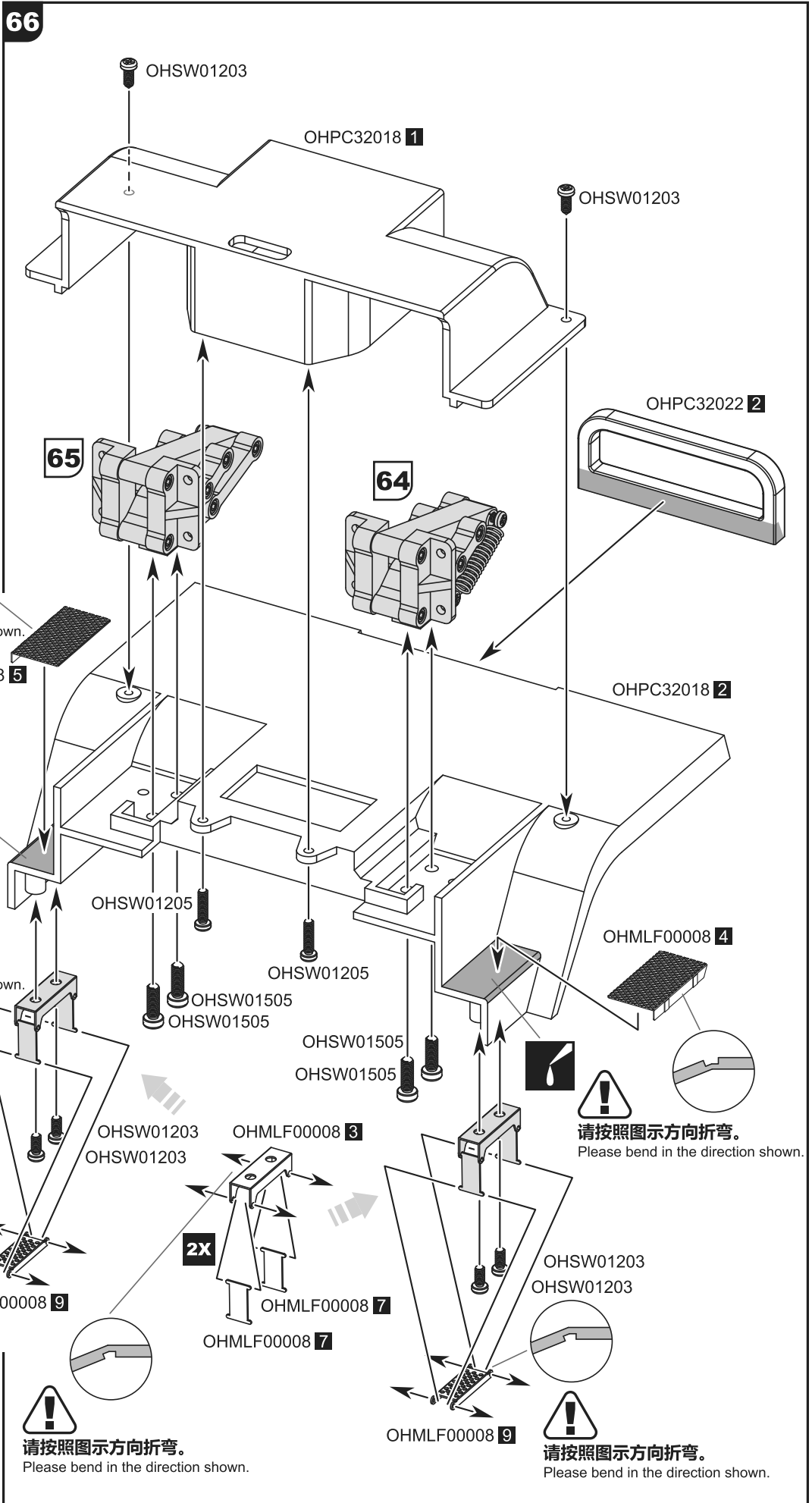
请按照图示方向折弯。  
Please bend in the direction shown.




请按照图示方向折弯。  
Please bend in the direction shown.

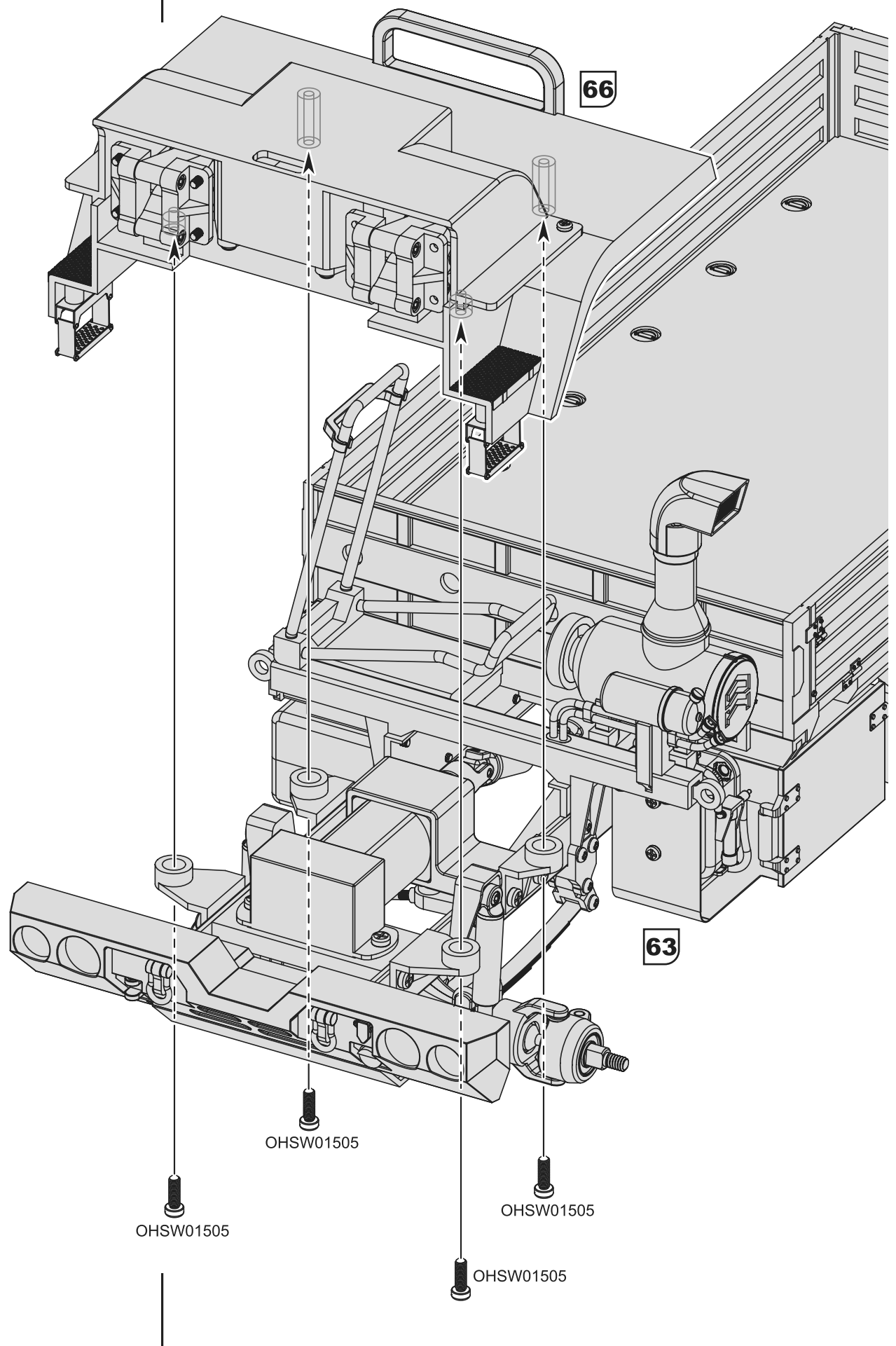


请按照图示方向折弯。  
Please bend in the direction shown.



  
4X OHSW01505

67



# G

打开包裹“G”

2X OHSW01203

68

透明黄  
Clear Yellow

OHPC32025 1

OHPC32025 1

OHPC32025 1

OHPC32025 1

OHPC32025 1

自定义颜色  
Custom Colors

OHPC32015

OHPC32022 7

OHPC32025 1  
透明黄  
Clear Yellow

OHPC32025 1

透明黄  
Clear Yellow

OHSW01203

OHPC32025 1

透明黄  
Clear Yellow

OHPC32022 7

OHPC32025 1

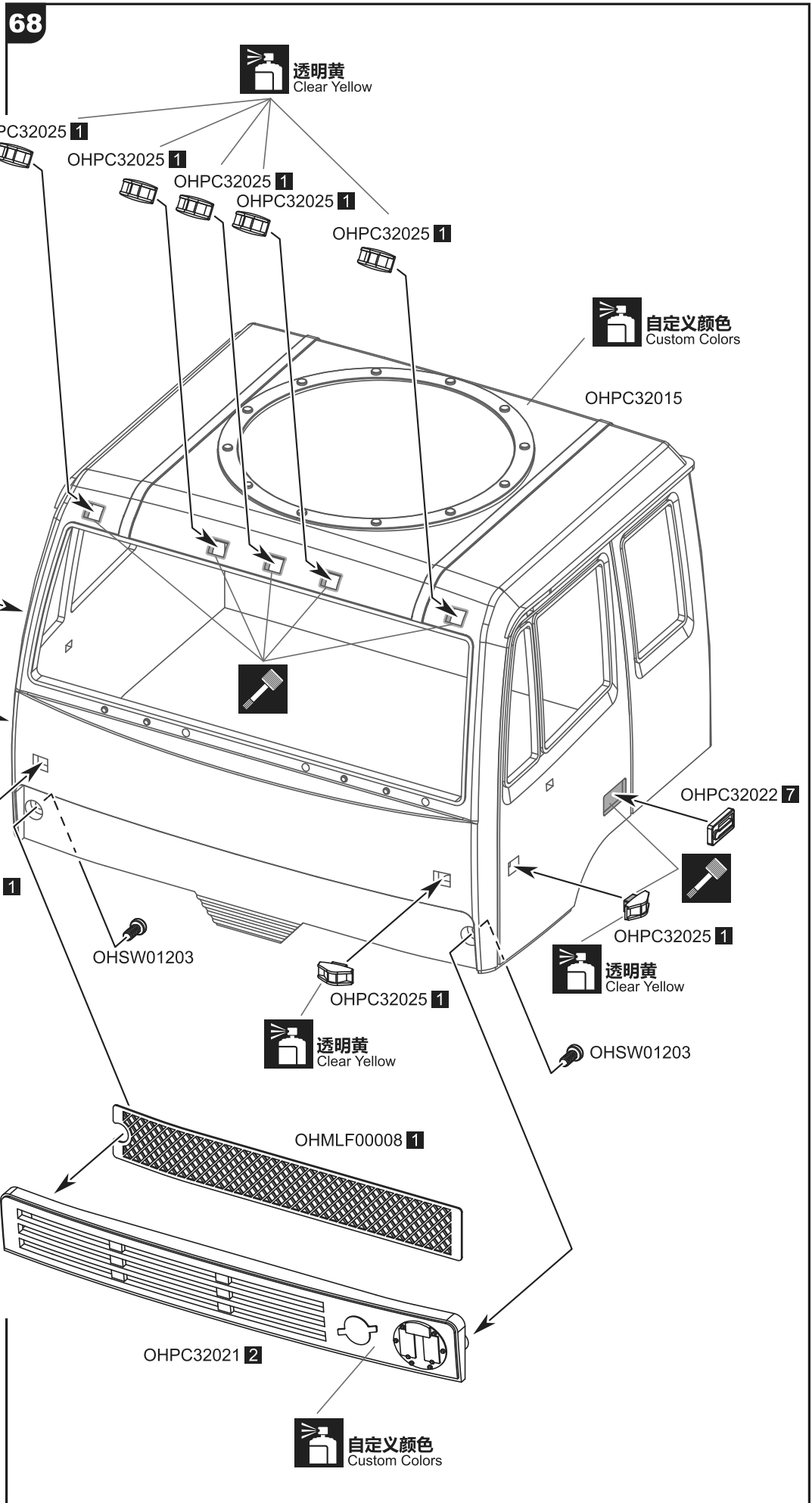
透明黄  
Clear Yellow

OHSW01203

OHMLF00008 1

OHPC32021 2

自定义颜色  
Custom Colors

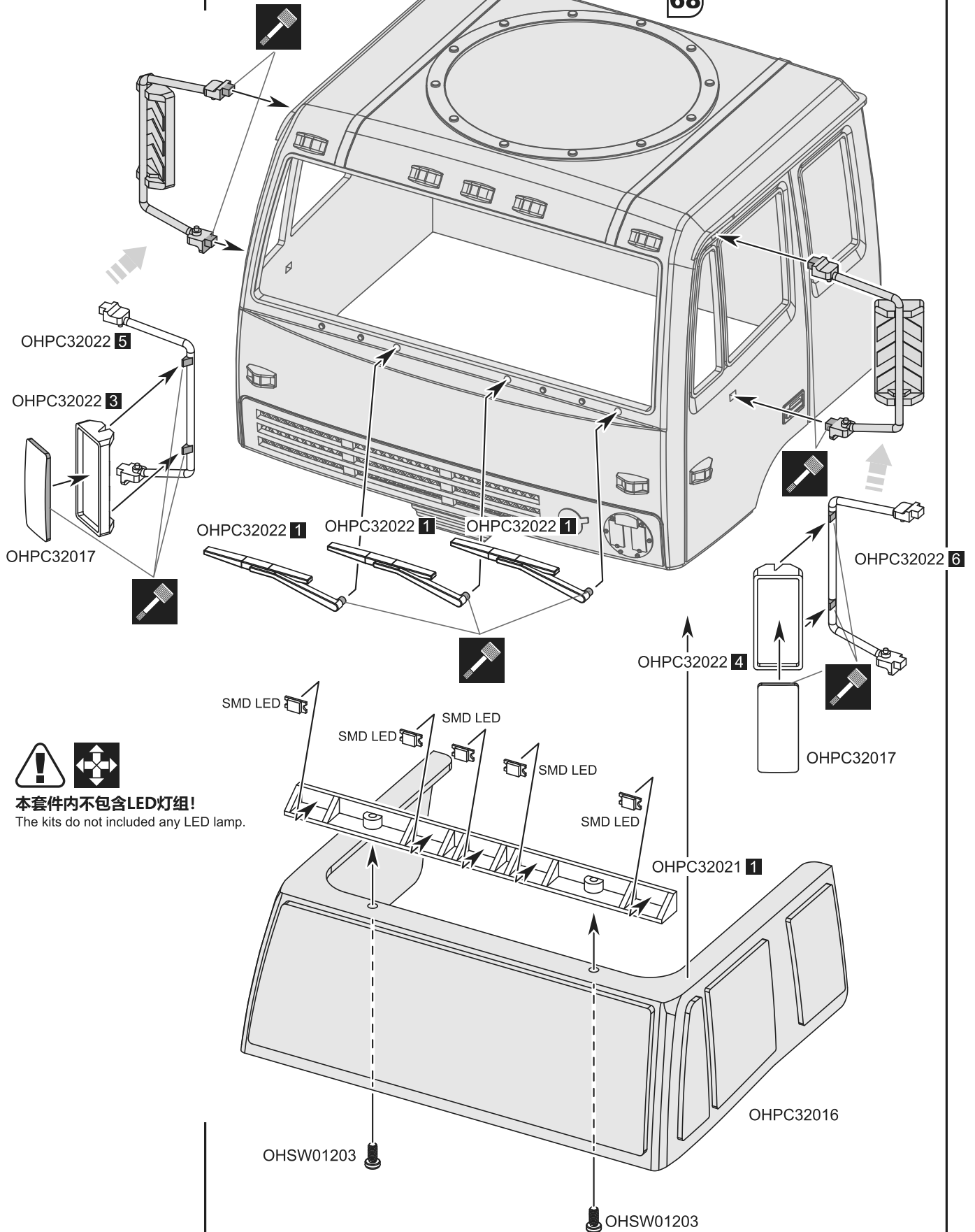




**2X** OHSW01203

**69**

**68**

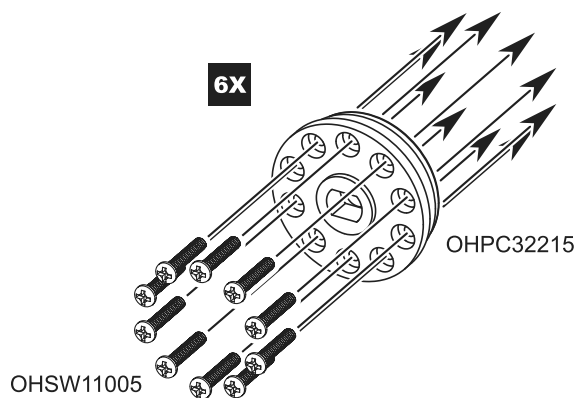




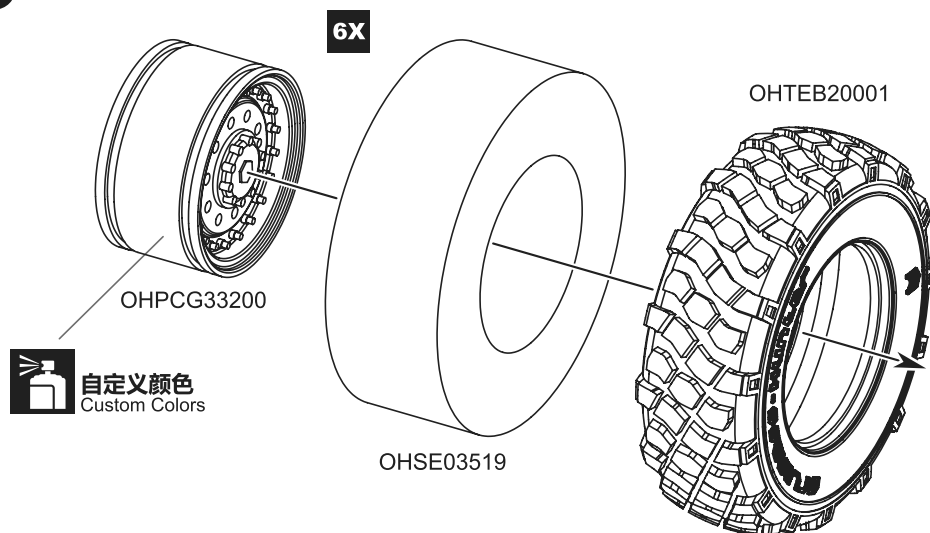


60X OHSW11005

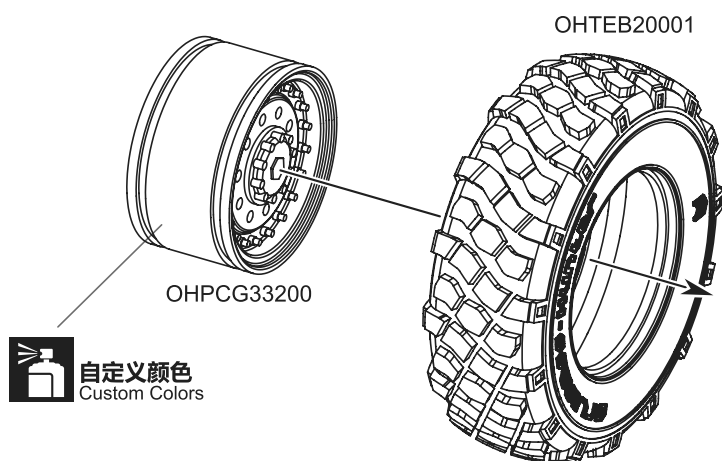
71



72



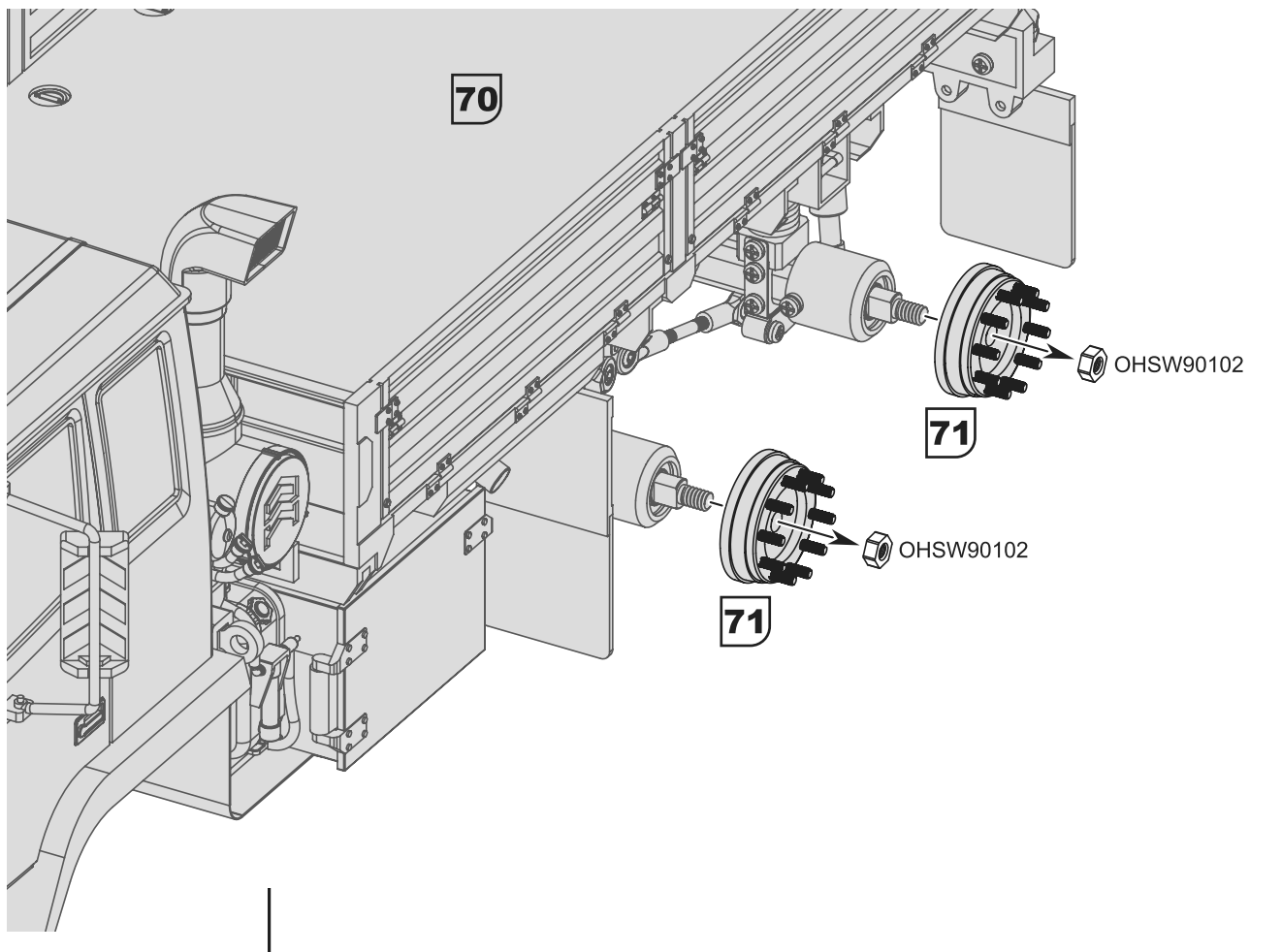
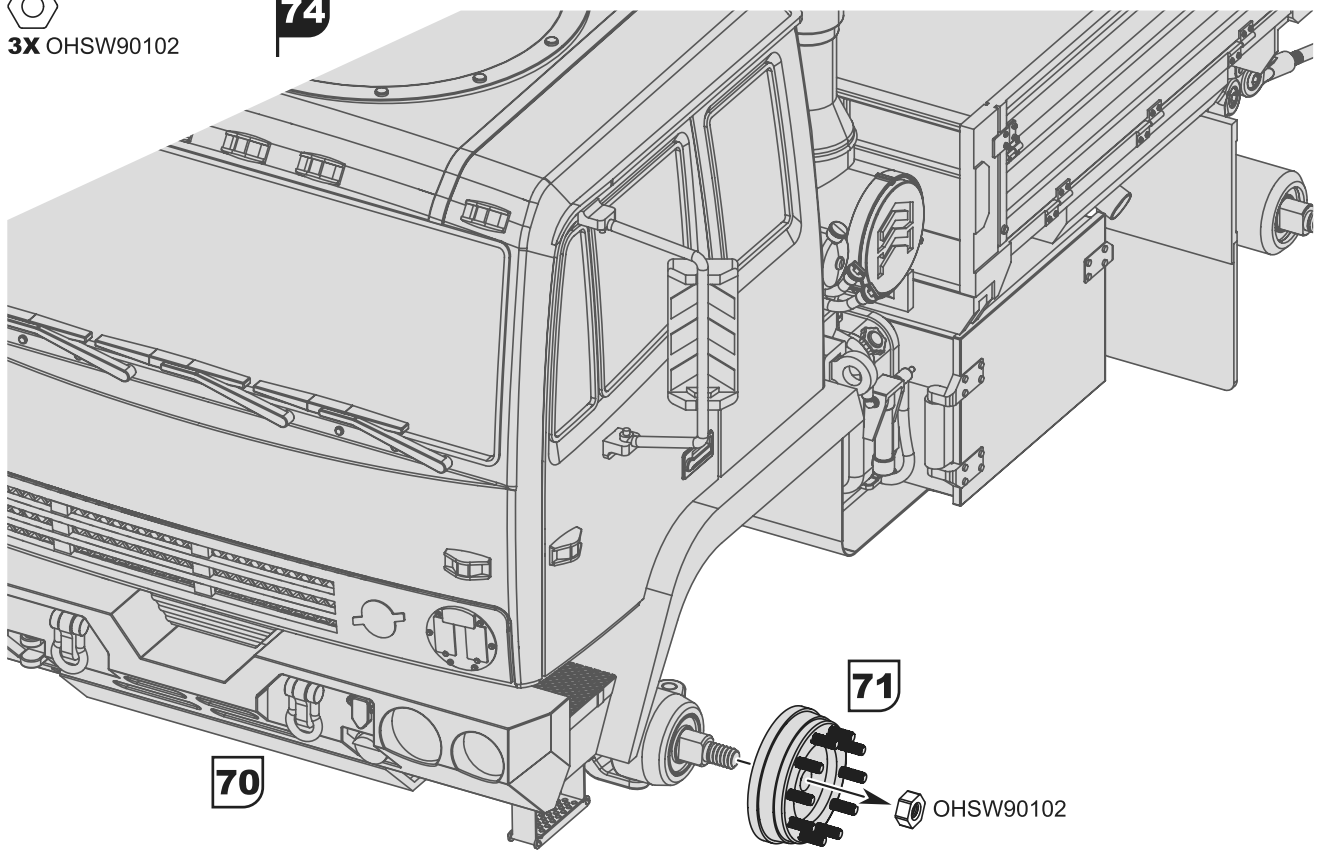
73





3X OHSW90102

74

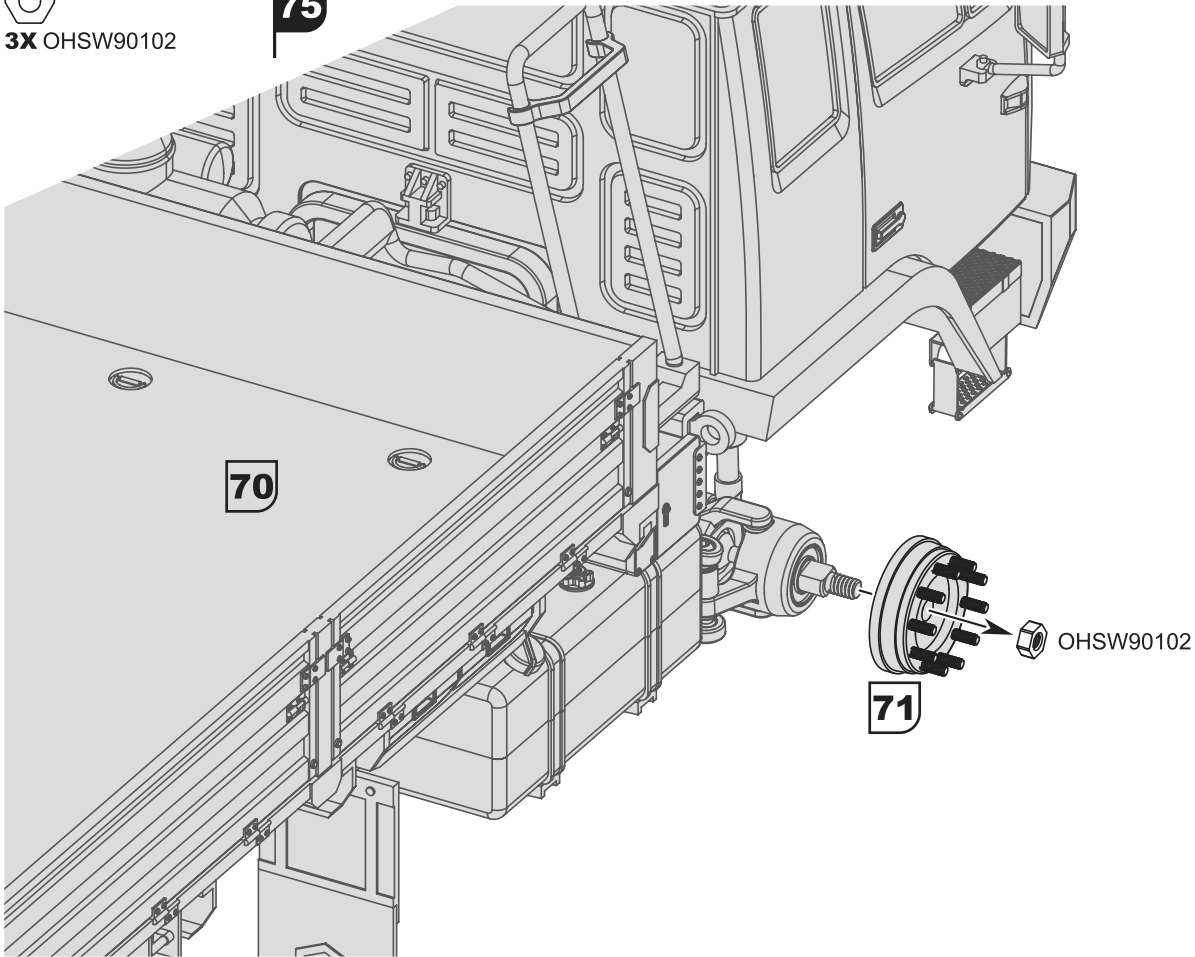


OH32M2 KIT



3X OHSW90102

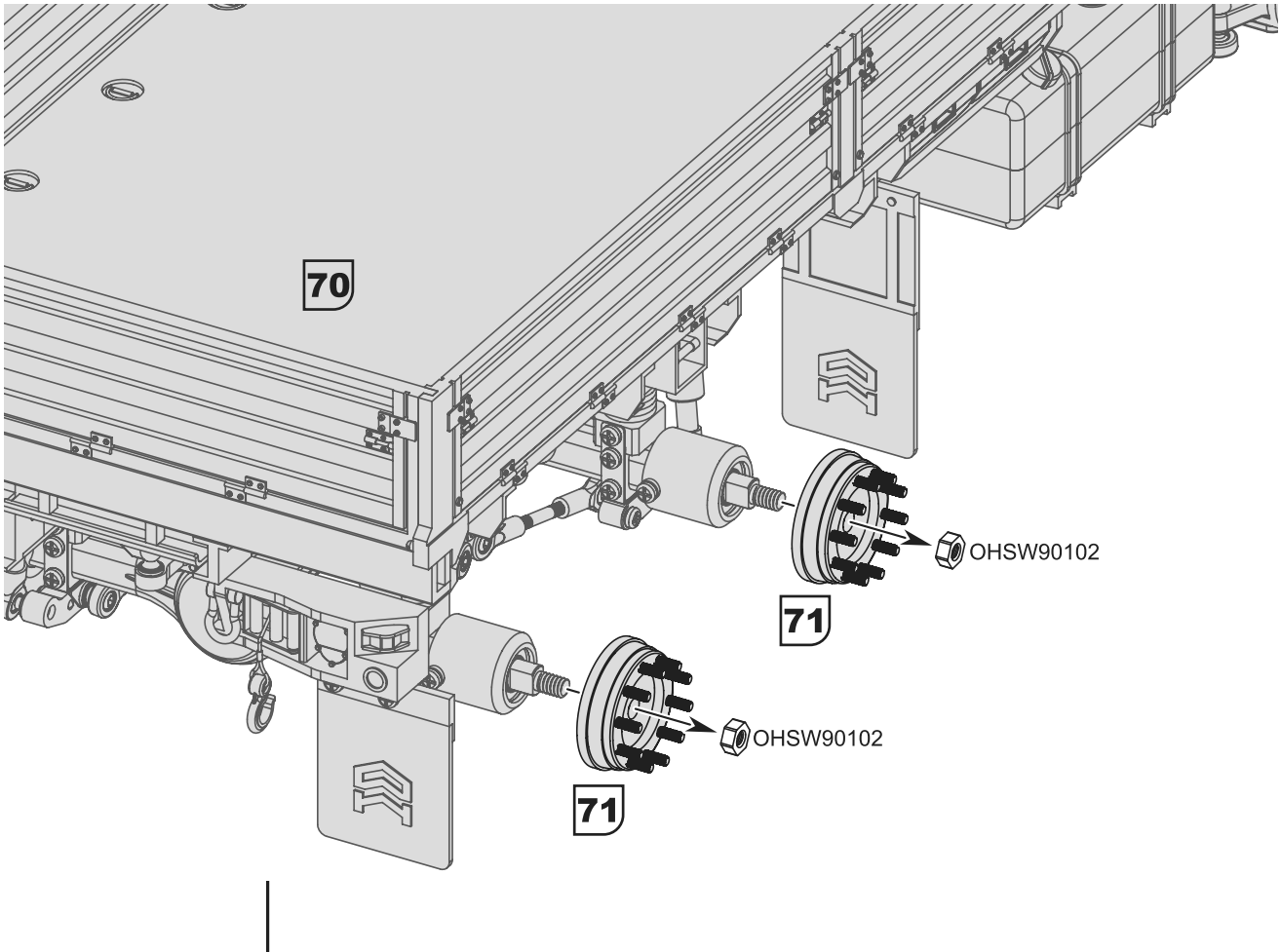
75



70

71

OHSW90102



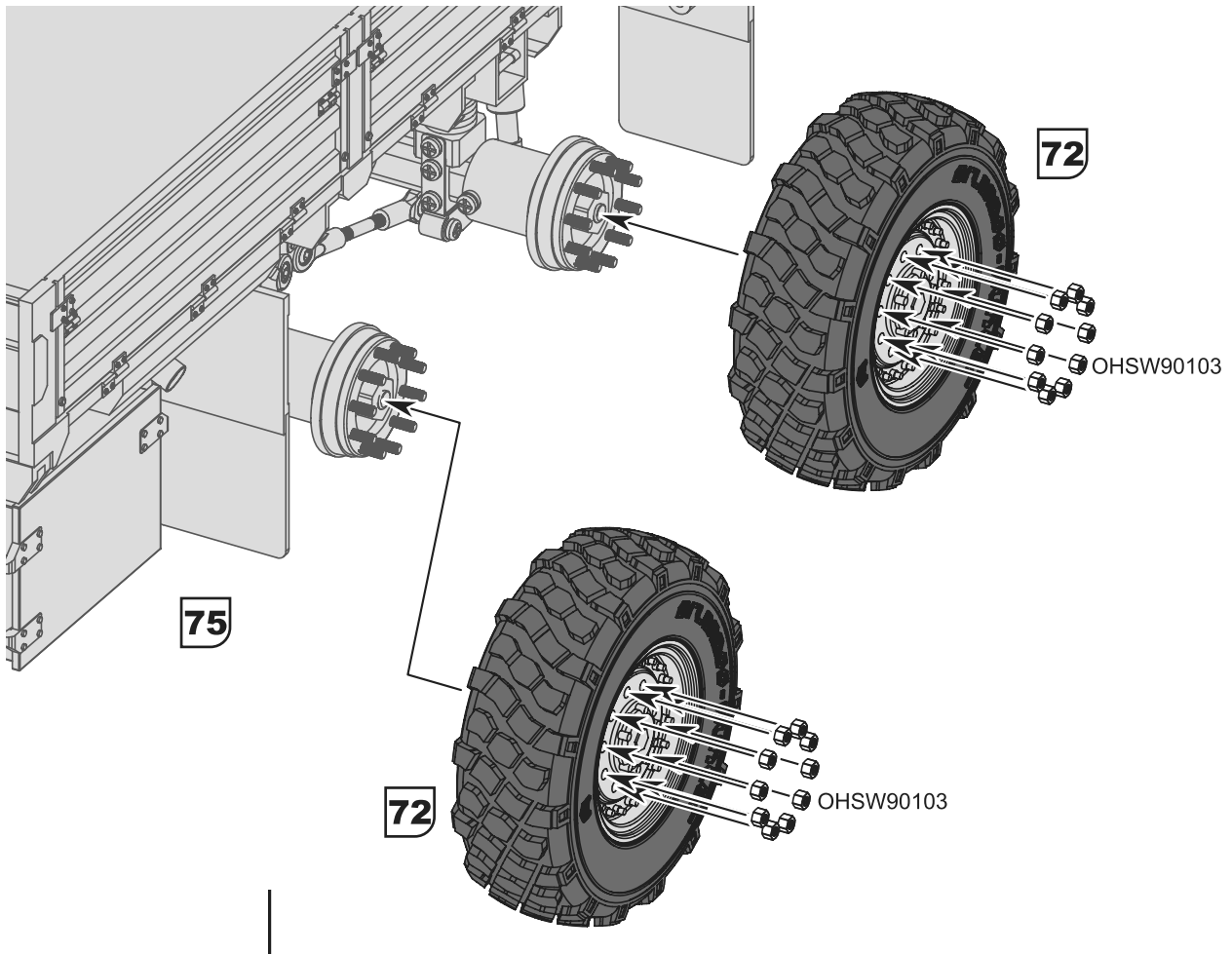
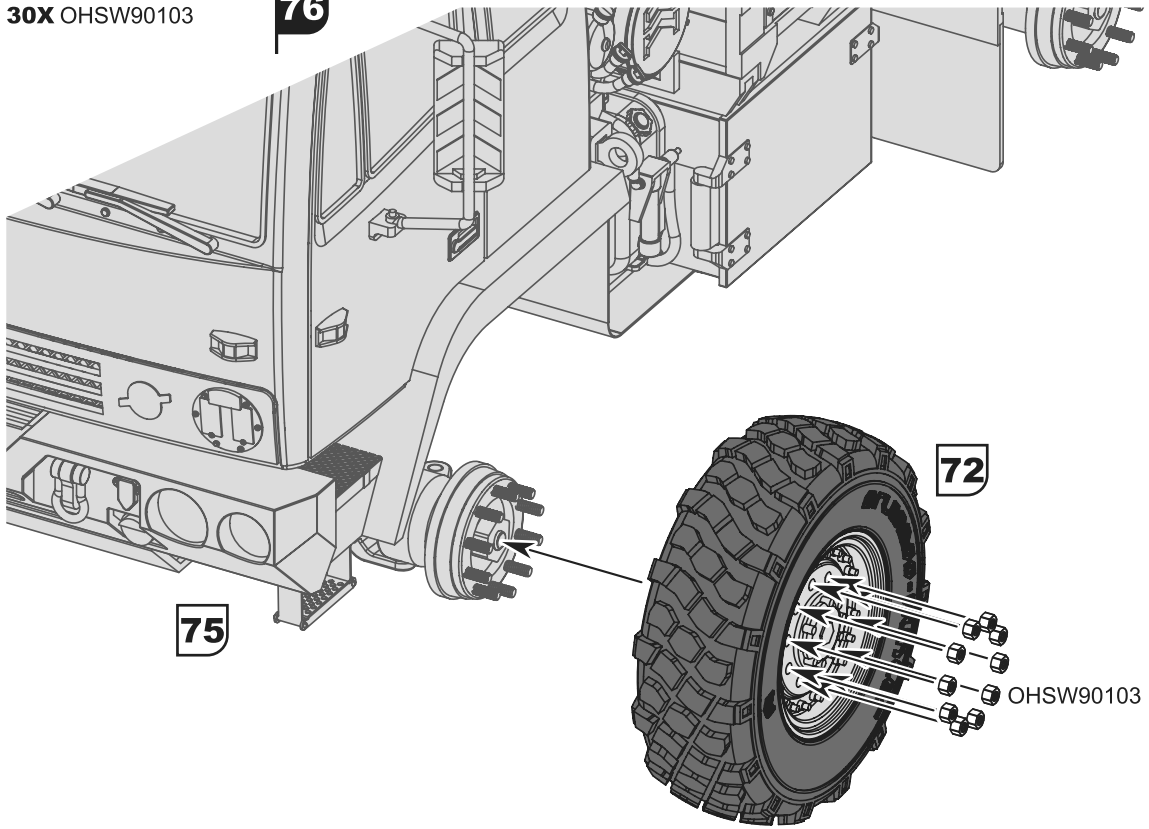
70

71

OHSW90102

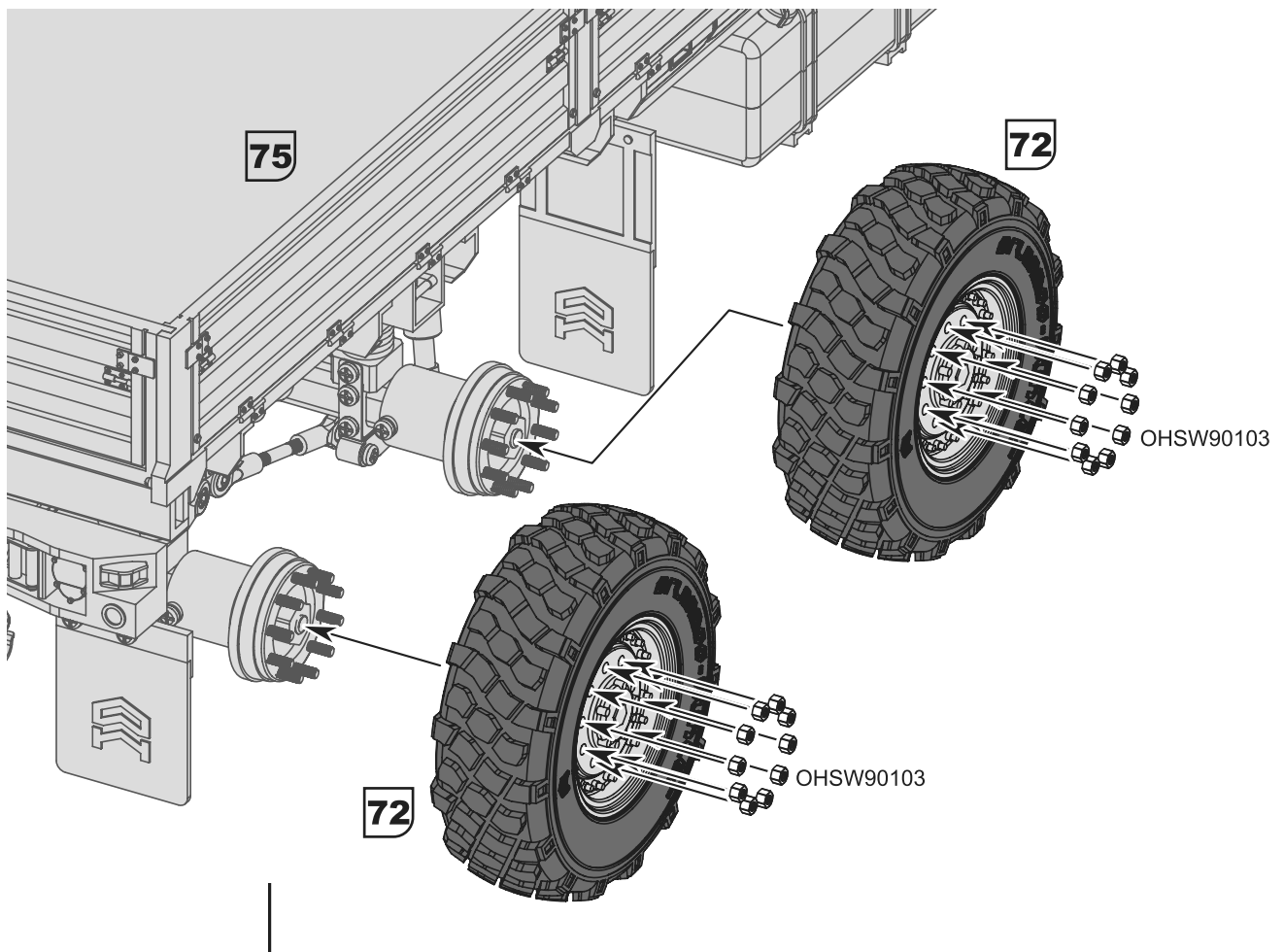
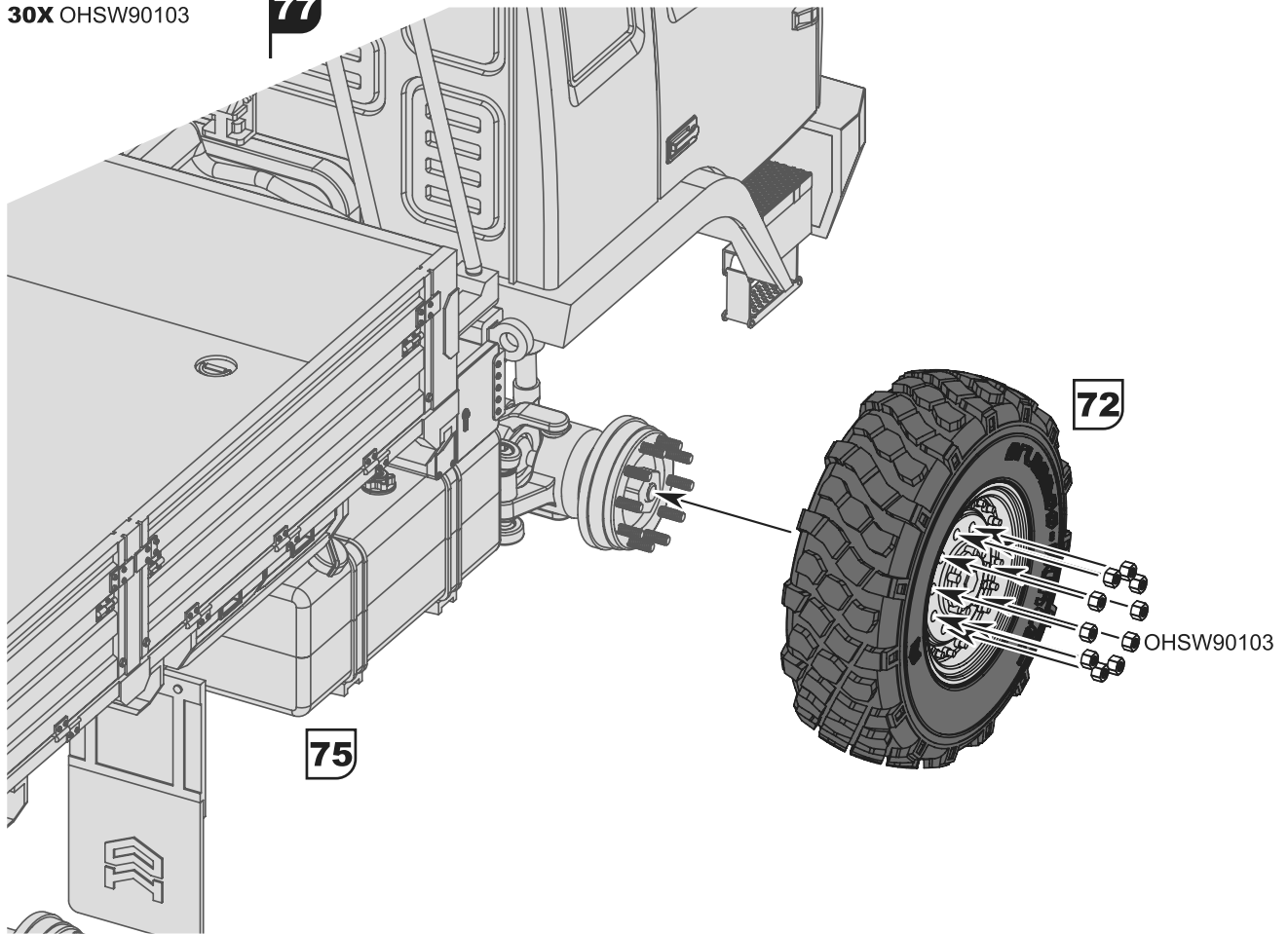
71

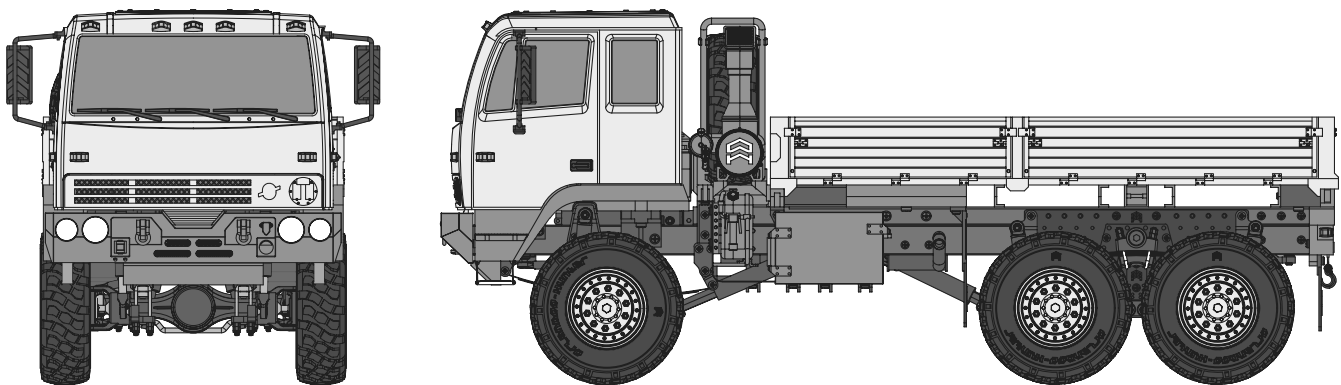
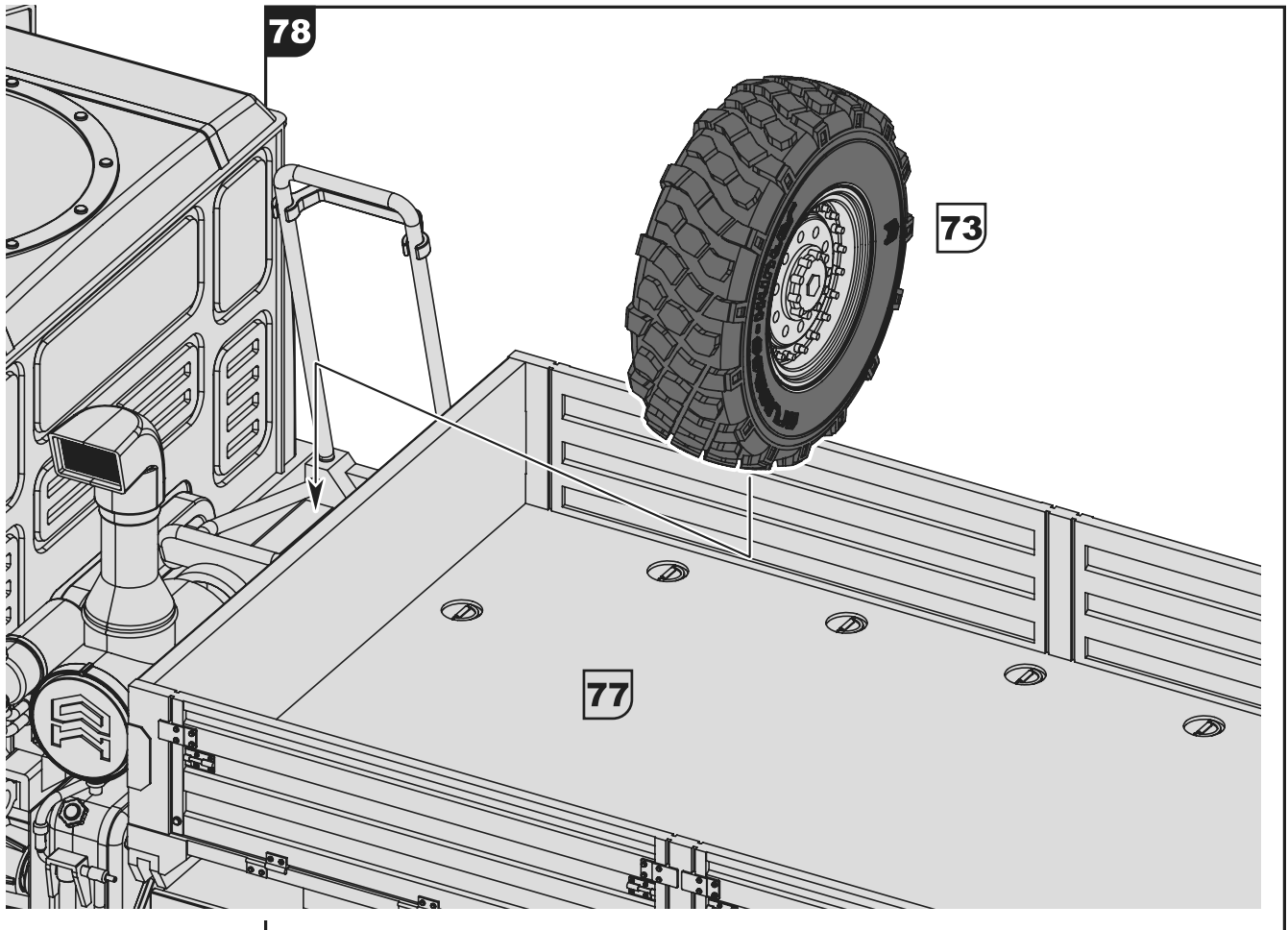
OHSW90102



©  
**30X** OHSW90103

**77**





## 配重/重心调整 COUNTERWEIGHT / WEIGHT ADJUSTMENT

模型加入设备后重心位置会发生改变，可在底盘上增加配重来达到前后左右的平衡，底盘以上配重不宜过重，配重物放置位置越低，则车辆稳定性越好。

您还可购买轮毂配重环增加6个轮胎的重量，或使用软铅丝或焊锡丝在轮毂和胎皮之间均匀缠绕达到配重效果，注意左右两侧轮胎配重要一致，前轮可适当增加配重。轮毂配重后，整车重心进一步降低，行进起伏路面时车辆扭曲更加仿真，爬陡坡时更能增加抓地力，重心降低后更不易翻车，性能更稳定！

Gravity position will be changed after the model was added equipment, you can add the balance weight the chassis to achieve equilibrium around. The over Chassis weight should not be too heavy, and the lower placement of balance weight, the vehicle stability will be better.

You can also buy the wheel hub balance weight to increase the weight of the six tires, or use a soft lead wire or solder between the hub and the tire cover wound achieve uniform weight effect.

Please note that the weight between left and right sides of the tire should be same, the front wheel can be appropriate to increase the weight, after the wheel hub the counterweight, the vehicle center of gravity will be lower. When the vehicle travelling the rough road, the twist much more like real vehicle, better grip while climbing a steep hillside, the center of gravity lower, more difficult to overturn and stable performance !