

MAS - 600

金属双叉臂悬挂安装说明

Aluminium Double Wishbone Suspension Installation Instructions

金属双叉臂悬挂用于升级OH32P02塑料叉臂悬挂，本套件为未组版本！

齿轮组、狗骨CVD、轴、销等部件和塑料叉臂悬挂内部部件通用，本套件不包含通用部件！

请注意左侧零件列表“⚠”标识，有“⚠”标识的零件不包含在本套件内。

This set is used to replace OH32P02 plastic wishbone suspension. This is KIT version.
 Gear, CVD, Shaft, Pin and some other common parts not included in this Aluminium Double Wishbone Suspension set.

Which parts with this logo "⚠" in the parts list on the left means these parts are not included in this set.



2X OHBG20523



⚠ OHMCA05190



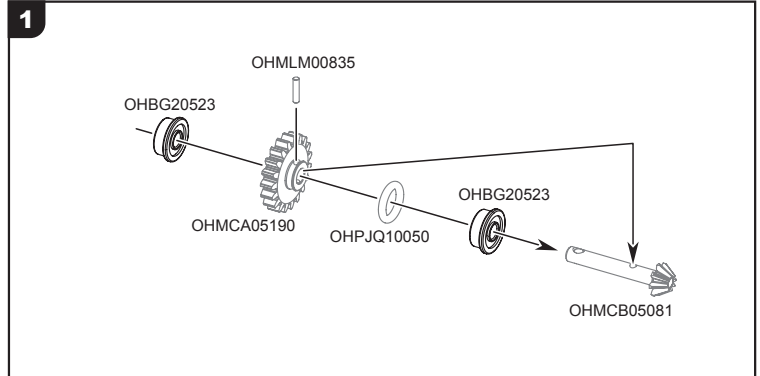
⚠ OHPJQ10050



⚠ OHMCB05081



⚠ OHMLM00835



⚠ OHBG20523



⚠ OHMLE20170



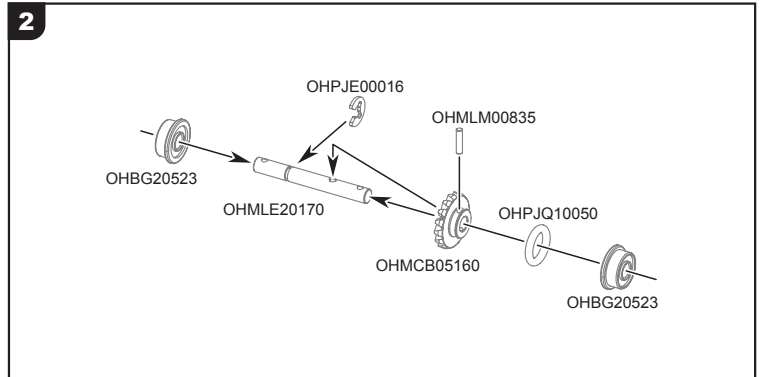
⚠ OHMLM00835



⚠ OHPJE00016



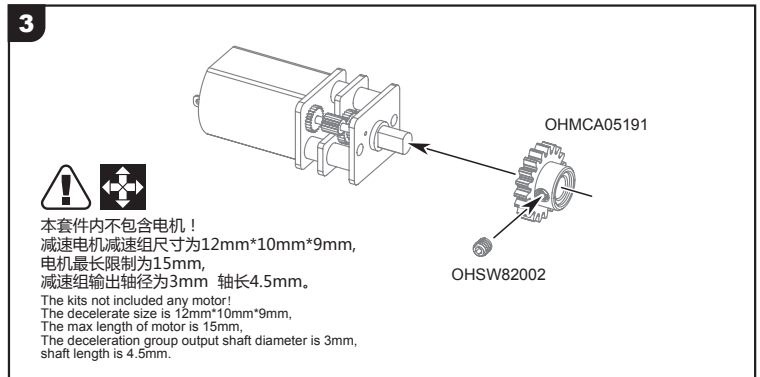
⚠ OHMCB05160



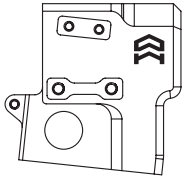
⚠ OHMCA05191



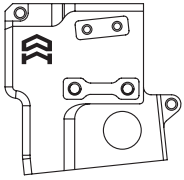
⚠ OHSW82002



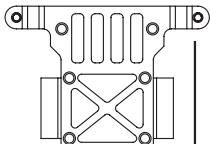
2X OHSW11205



1X OHMLL30001



1X OHMLL30002



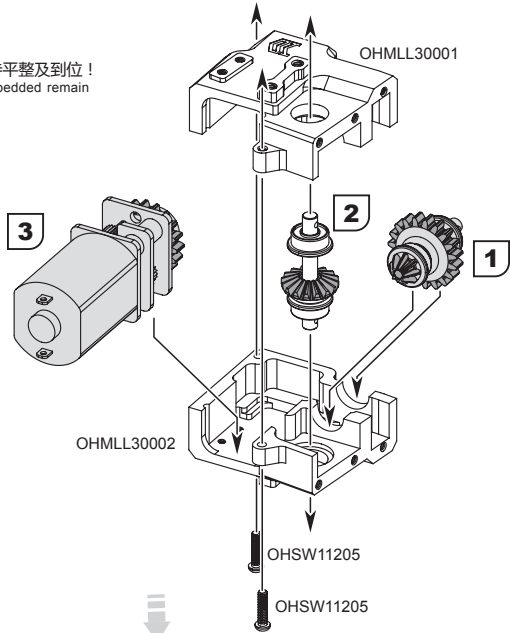
1X OHMLL30003

6X OHSW11204

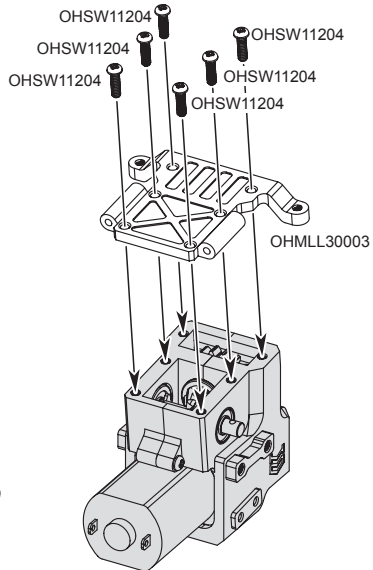
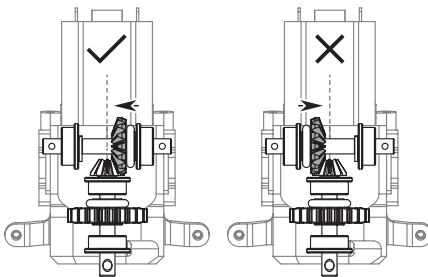
4



轴承嵌入后保持平整及到位！
After bearing embedded remain flat and in place!



注意零件方向！
Pay attention the direction of the spare parts!





⚠ OHMLC20004

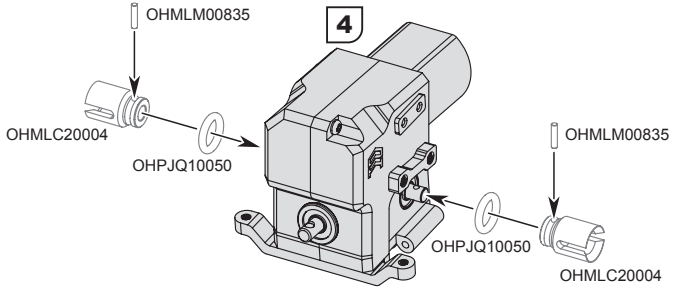


⚠ OHPJQ10050



⚠ OHMLM00835

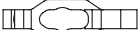
5



1X OHMLL30004



1X OHMLL30005



1X OHMLL30006



1X OHMLL30009

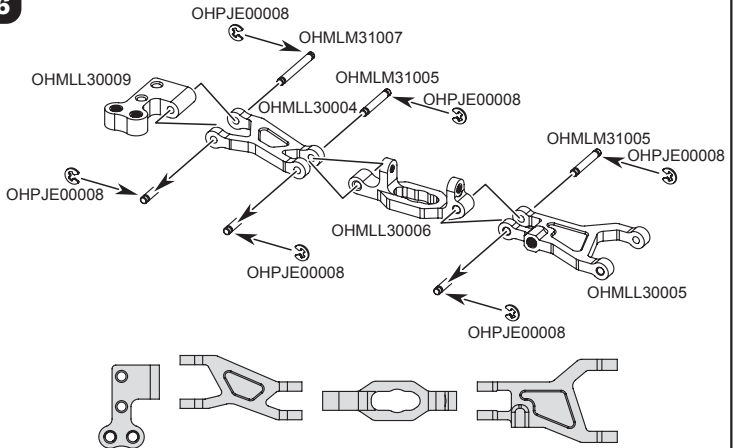
2X OHMLM31005

1X OHMLM31007

③

6X OHPJE00008

6



1X OHMLL30004



1X OHMLL30005



1X OHMLL30006



1X OHMLL30009

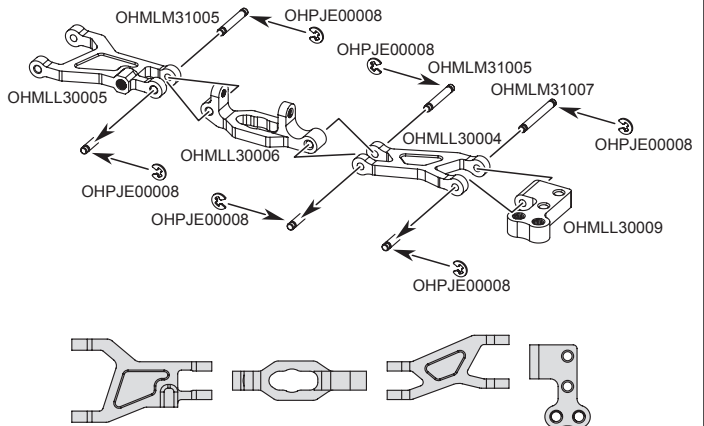
2X OHMLM31005

1X OHMLM31007

③

6X OHPJE00008

7

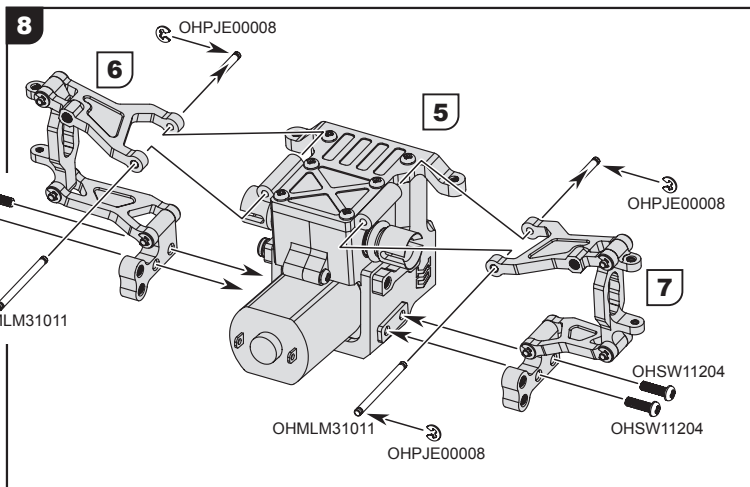


2X OHMLM31011

3
4X OHPJE00008

4X OHSW11204

OHSW11204
OHSW11204
OHPJE00008
OHMLM31011



1 OHMLC20002



1 OHMLC20005



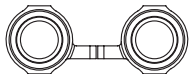
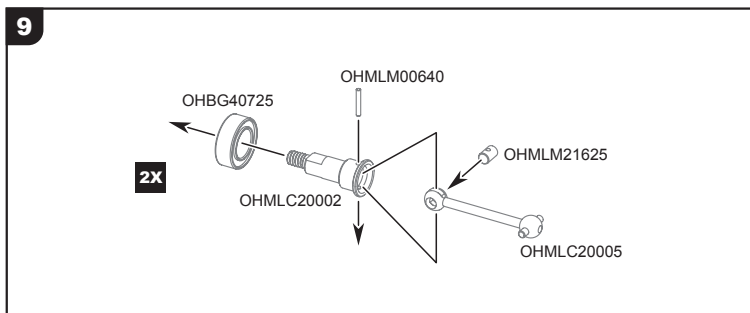
1 OHBG40725



1 OHMLM21625

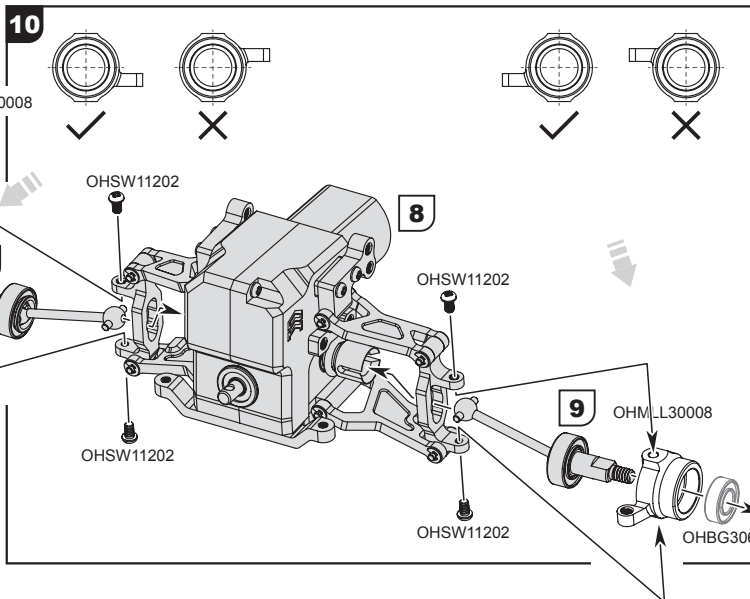


1 OHMLM00640



1X OHMLL30007 **1X** OHMLL30008

4X OHSW11202



1 OHBG30620



MAS - 600

