

感谢您购买 奥兰多汉特 无动力拖挂系列 **OH32N1 KIT** 模型。
请您务必仔细阅读说明书，根据说明书的提示来帮助您完成您的模型。
本套件为KIT散件版本，需要您动手组装及调试。

Thanks for choosing **Orlando - Hunter TRAILER Series OH32N1 KIT** model. Please read our instructions carefully, and following our instructions to help you finish assembling the model. The kits are parts, need assembling, debugging by yourself.



流缝胶
Seam Glue



美工刀
Utility Knife

您还需要购买、流缝胶、美工刀等工具辅料，来协助您完成您的模型。

Besides, in order to finish your model, following Supplementary material you also need to buy: Seam Glue, Utility Knife.



4合1遥控
4in1 Radio System

如您的前车(牵引车)使用的是"D4L"2.4Ghz 4合1遥控套装，还可以选购"D201N"遥控灯组配合"D4L"遥控套装，使拖挂车房的灯光系统和前车的灯光系统进行联动，遥控灯组灯光配置包含：(大灯、辅助灯、转向/双闪灯、刹车灯、倒车灯)，使模型更仿真。还可选择轮毂配重环，降低整车重心，提高姿态仿真。



遥控灯组
Light Control Set

You can use "D201N 2in1 Light Control Set" for OH32N01, if "D4L 2.4Ghz 4 in 1 Remote Control Set" was used in the front one (for towing). D201N can be controlled by D4L and synchronize the light of OH32N01 with that of front one.

These parts are included in the 'D201N 2in1 Light Control Set' : headlamps, auxiliary lamps, turn signal, hazard lights, brake lamps, reversing lights.

You can add a weight-ring in the tire to lower the overall center of gravity. Make it the same as a real camper trailer.

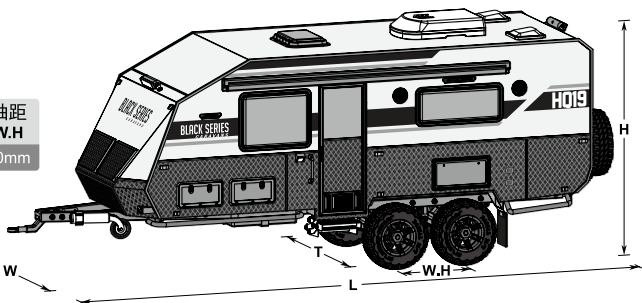
You also choose Balance Weight, Reducing the center of gravity of the whole vehicle and improving the simulation of attitude.



配重环
Balance Weight

尺寸/参数 SIZE / DATA

长度 L	宽度 W	高度 H	轮距 T	轴距 W.H
252mm	71mm	98mm	58mm	30mm



⚠ 注意 CAUTIONS

模型内含微型连接件及外观仿真件，请防止高空坠落或挤压模型。这将可能损坏微型部件及外观零件！

请勿将模型长时间放置于阳光下，这将可能加速塑料及橡胶的老化！

Since the model have the mini connection parts and simulation parts inside, please avoid the model be altitude fall or squeezed, otherwise, it will cause the damage of mini connection parts and simulation parts!

Please do not put the model in the sun at long time, otherwise, it will accelerate aging of the plastic and rubber parts!

⚠ 警告 WARNING

套件内用于包装的塑料袋使用后请及时收好，或者丢弃在可回收垃圾箱内。请勿让孩子当玩具，可能会导致窒息危险！

The plastic bag of kits, after using please promptly put away or throws into the recyclable rubbish bin, if get by child, might have choking hazard!

⚠ 警告 WARNING

本套件不适合14岁以下使用！

The kits are not suitable for child under 14 years old!



套件内含大量微小零件，若儿童吸入或误食，可能会导致窒息等危险！请务必放置于儿童不易接触的地方！

The kits including many mini parts, if the child inhalation or mistake eaten, can cause choking or other serious hazard!

Please be sure put the model at the place where child can not touch it!

⚠ 提示 TIPS

在开始组装前，请先准备好所需要用到的工具，按照说明书左侧提示打开相对应的包裹（不要将所有零件包全部打开或全部取出，以免弄混或者丢失），取出相对应的零件（只需要取出左侧标注的零件数量）。因个别零件尺寸比较小，特别是螺丝等小零件，非常容易丢失，使用小盘子、小盒子等来放置待组装的小零件，能有效防止其丢失。

取出零件后如发现毛刺或飞边的，请先用美工刀进行修整，再用砂纸打磨光洁后进行组装。进行这一步骤后将对组装完成后运行的流畅性和美观性有进一步提升。

组装小零件时注意控制力度，以免损坏零件或使零件掉落而丢失。

Before assembling, please according the instructions tips to open and take out corresponding package, ready for all the tool you need (please not open all the package, it will cause the parts lost or confused). Because some spare parts are really very small, especially the screw etc., which is easily missing, you can put them into a small dish or box first to avoid missing.

Before assembling check the spare parts first, if any burr found, please use utility knife to make it flat, and then use sandpaper to make it smooth. After doing this the fluency and aesthetics of the model will be upgraded.

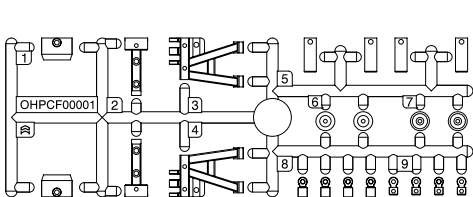
During assembling the spare parts, please do not use over strength or else will cause the spare parts break or drop.

部件/编号对照 PARTS / REFERENCE NUMBER

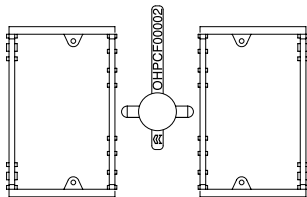
以下为 奥兰多汉特 无动力拖挂系列 **ORLANDO HUNTER** 所包含的所有零部件编号及数量对照表。
如组装或者使用过程中损坏或者丢失其中一些部件，可按照零部件编号购买相应的零部件用以替换。
如需要对模型进行改装及加装，也可按照所需要改装或加装的零部件的编号进行购买。

Following is the comparison table of all spare parts and numbers of the **ORLANDO HUNTER TRAILER** Series **ORLANDO HUNTER** Model.

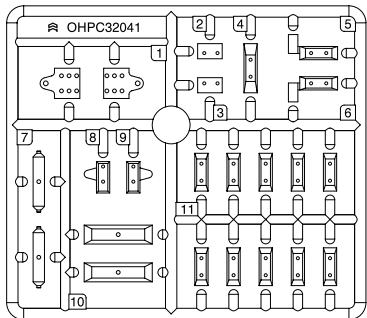
During the assembling, if some spare parts break or lost, you can according the number in the chart to buy a new one to replace it. If need remodel or adding, also can according the chart to buy some additional spare parts.



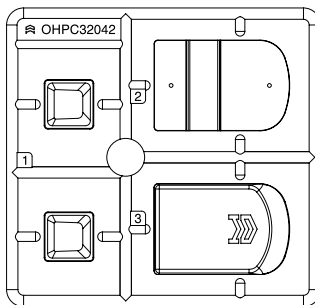
2X OHPCF00001



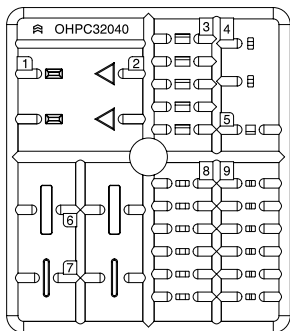
1X OHPCF00002



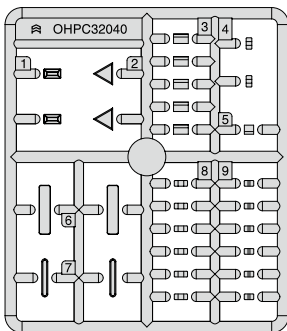
1X OHPC32041



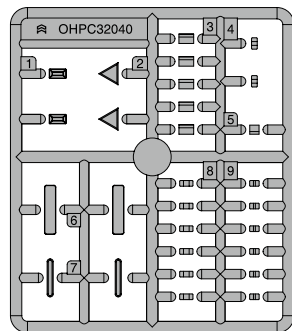
1X OHPC32042



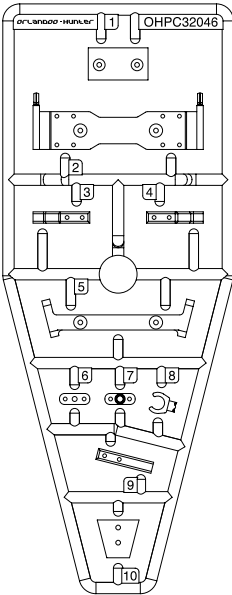
1X OHPC32040



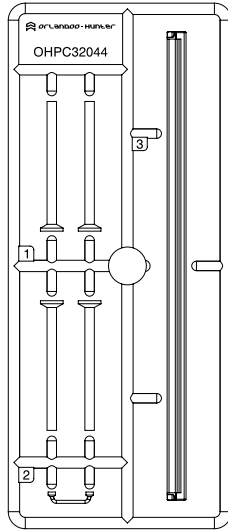
1X OHPC32040-CY



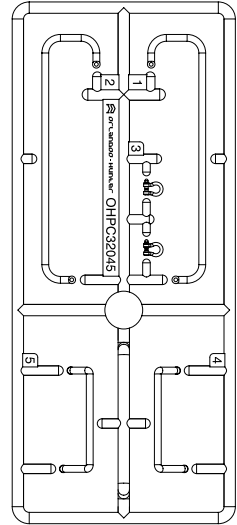
1X OHPC32040-CR



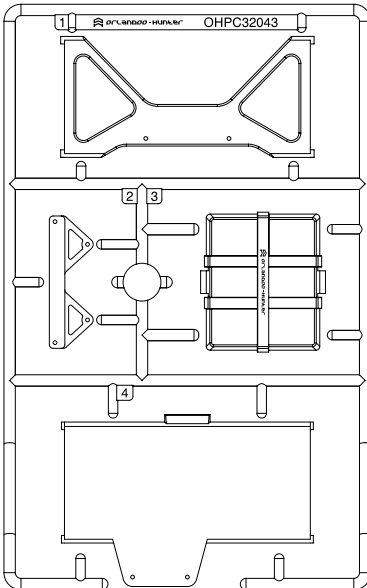
1X OHPC32046



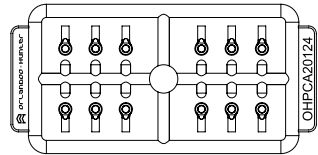
1X OHPC32044



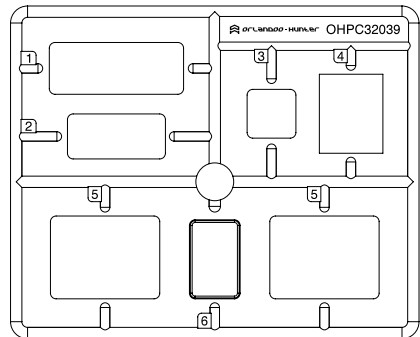
1X OHPC32045



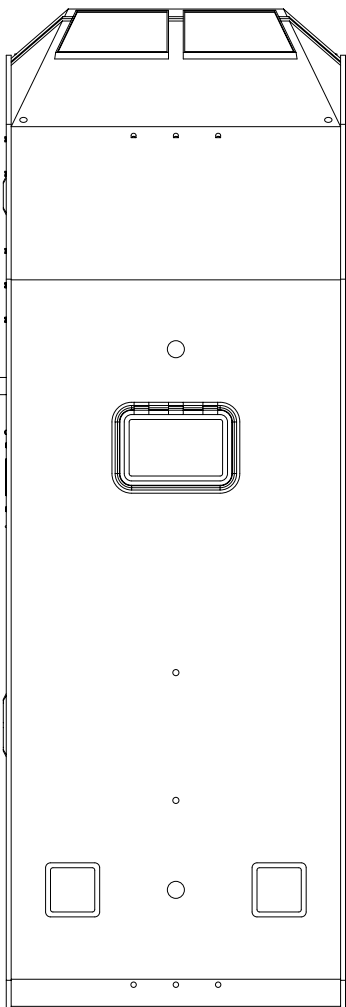
1X OHPC32043



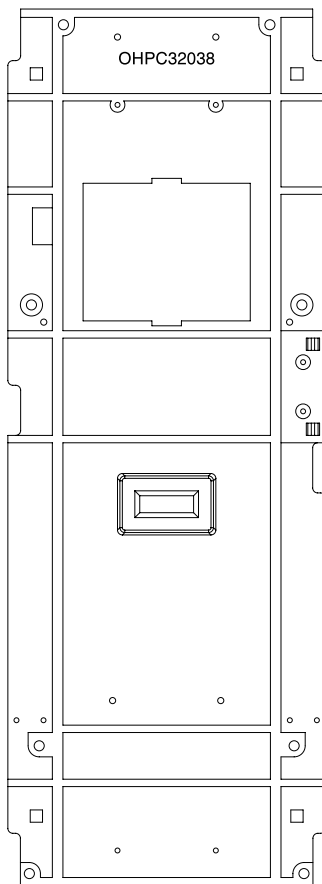
1X OHPCA20124



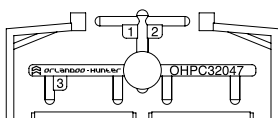
1X OHPC32039



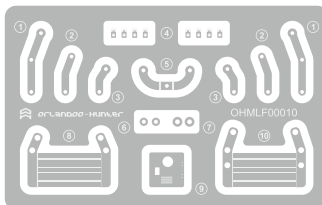
1X OHPC32037



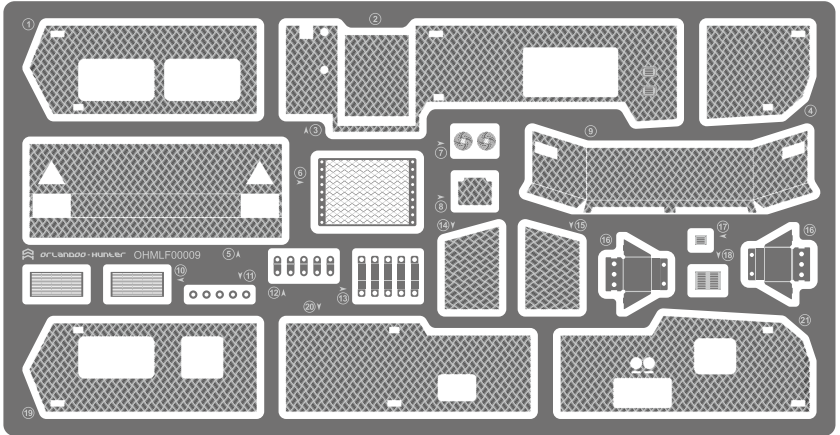
1X OHPC32038



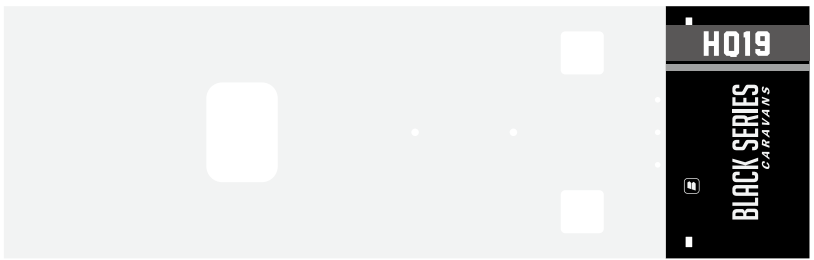
1X OHPC32047



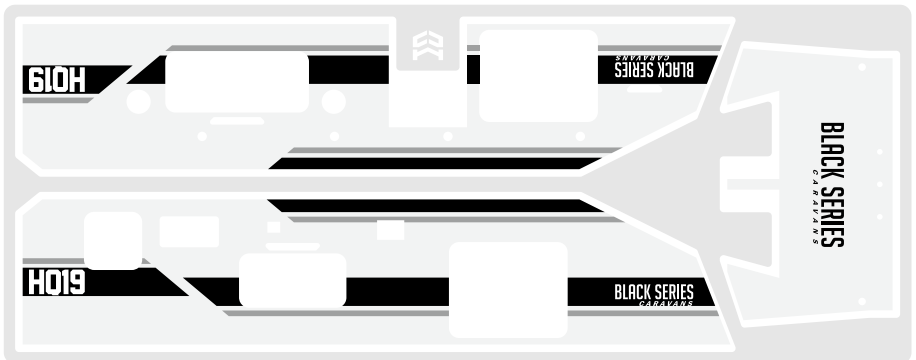
1X OHMLF00010



1X OHMLF00009



1X OHMLF00011



1X OHMLF00012

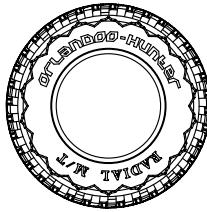
2X
OHMLZ2180



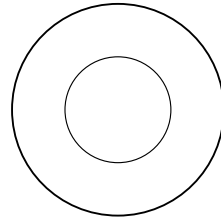
2X
OHPC32048



6X
OHPCG32183



6X
OHTEA32003



4X
OHSE02814



8X
OHMLD01709



8X
OHMLM31007



8X
OHMLM31005



4X
OHSGA03007



1X
OHSGA01500



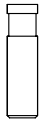
1X
OHSGA03005



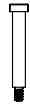
1X
OHMLB01206



1X
OHMLD00400



1X
OHMLD00416



1X
OHMLD01810



1X
OHMLP06001



4X
OHMLC20009



32X
OHPJE00008



1X
OHSW83102



4X
OHBG30620



1X
OHPJQ15060



4X
OHPJQ08026



5X
OHMLM99170

4X
 OHSW01003

52X
 OHSW01203

34X
 OHSW01204

2X
 OHSW01505

10X
 OHSW11002

4X
 OHSW11004

1X
 OHSW11208

2X
 OHSW12010

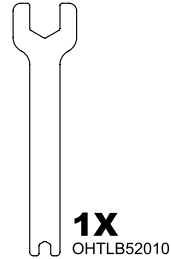
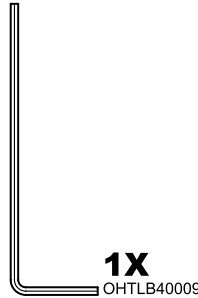
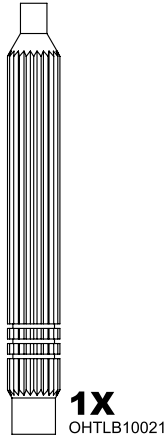
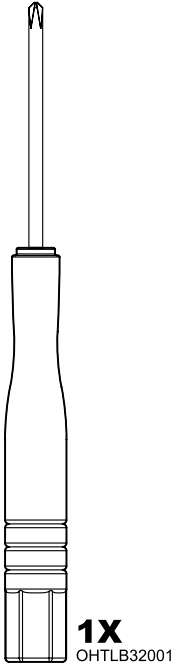
6X
 OHSW90102

5X
 OHSW90103

工具包内包含 TOOL CONTENTS

十字螺丝刀
 六角锁胎器
 内六角扳手
 外六角扳手
 双面减震垫

Phillips Screwdriver
 Nut Driver
 "L" Type Hexagon Screwdriver
 Open End Wrenches
 Double Side Tape



以下图标将会出现在接下来的装配图中，请先了解图标的含义！
 Following Icon will appear on the assembling chart, please understanding its meaning first!

2X
 制作两份
 Make
 Two Copies

4X
 制作四份
 Make
 Four Copies

8X
 制作八份
 Make
 Eight Copies


 流缝胶
 Requiring
 Glue


 缓干胶
 Contact
 Adhesive


 不使用胶水
 No glue
 needed


 选择
 Requiring
 Select


 注意
 Attention

A

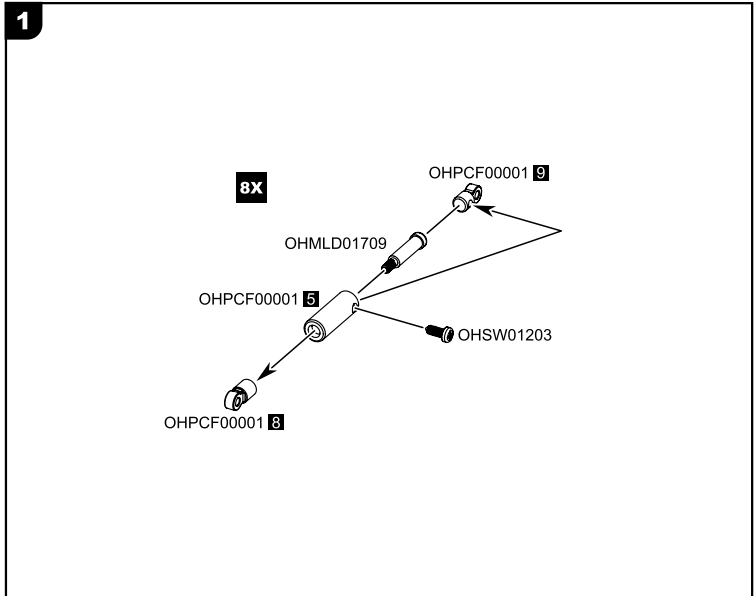
打开包裹“A”



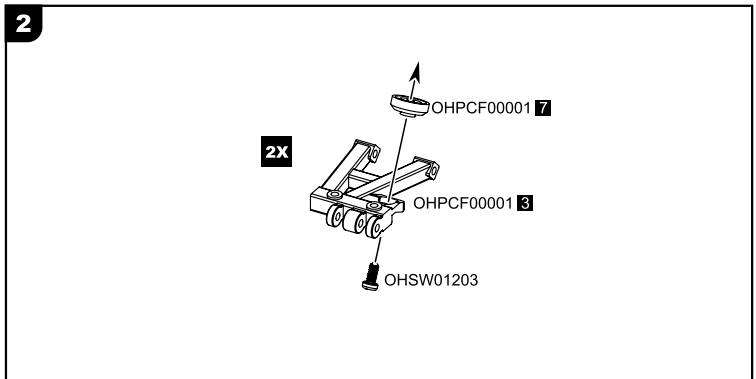
8X OHMLD01709



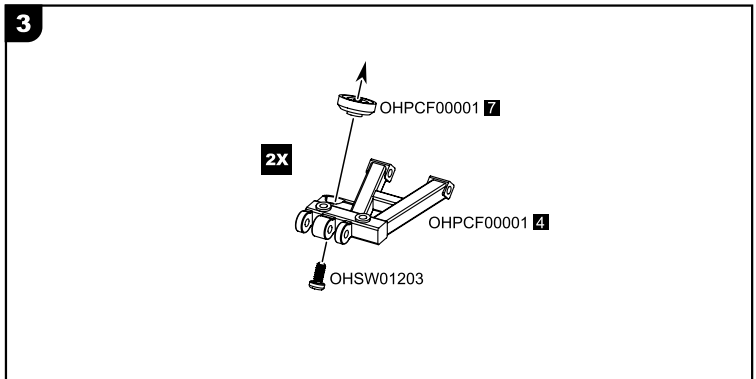
8X OHPCF00001



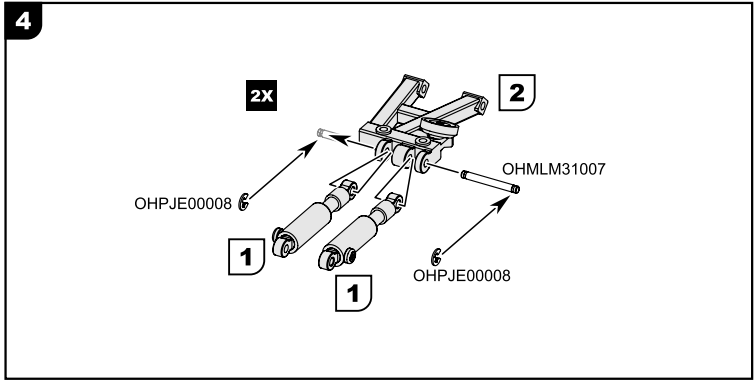
2X OHSW01203



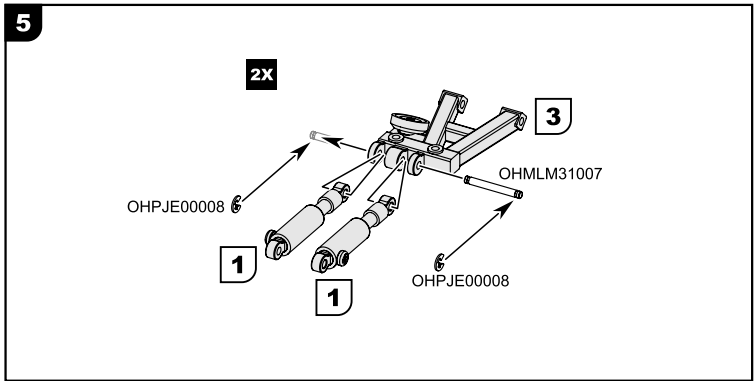
2X OHSW01203



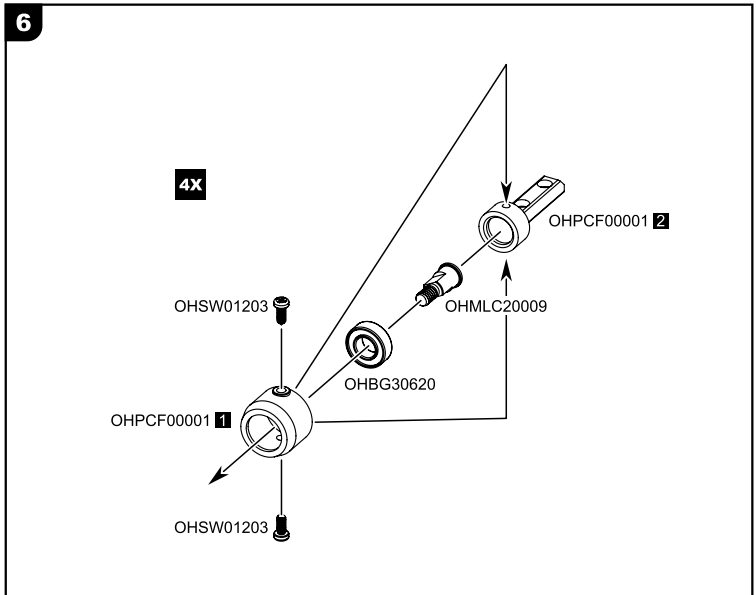
2X OHMLM31007
4X OHPJE00008




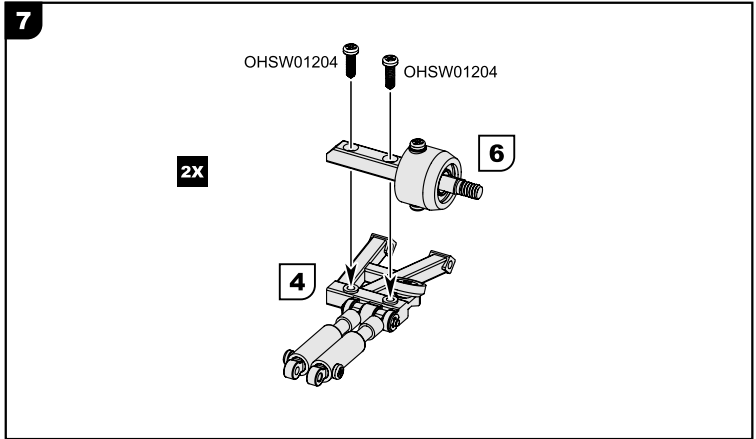
2X OHMLM31007
4X OHPJE00008



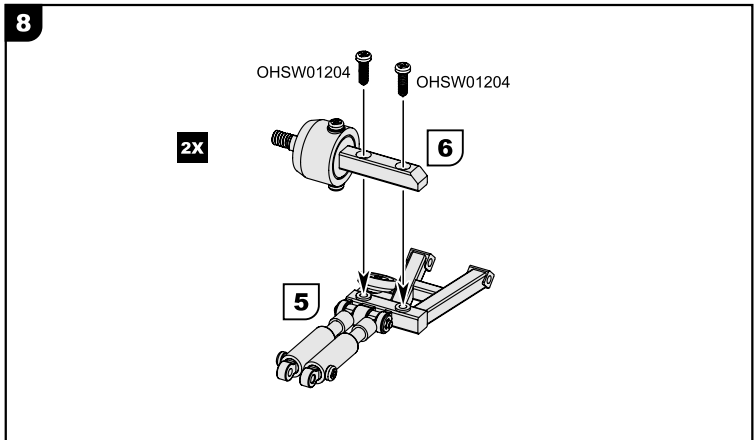
4X OHMLC20009
4X OHBG30620
8X OHSW01203



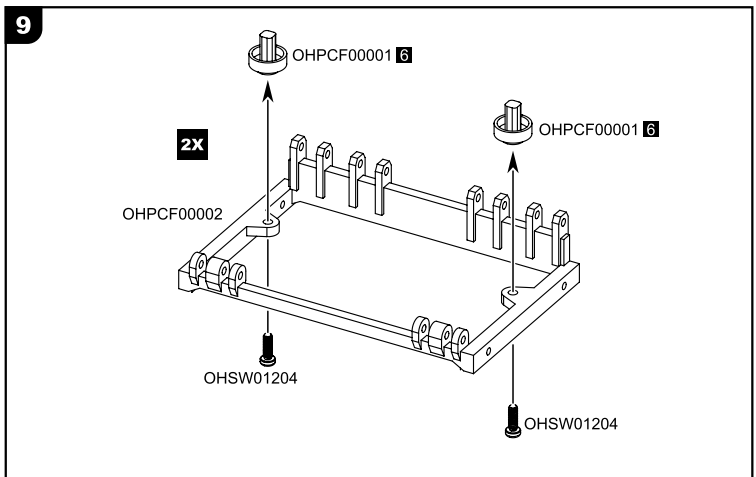
 4X OHSW01204

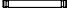




 4X OHSW01204



 4X OHSW01204

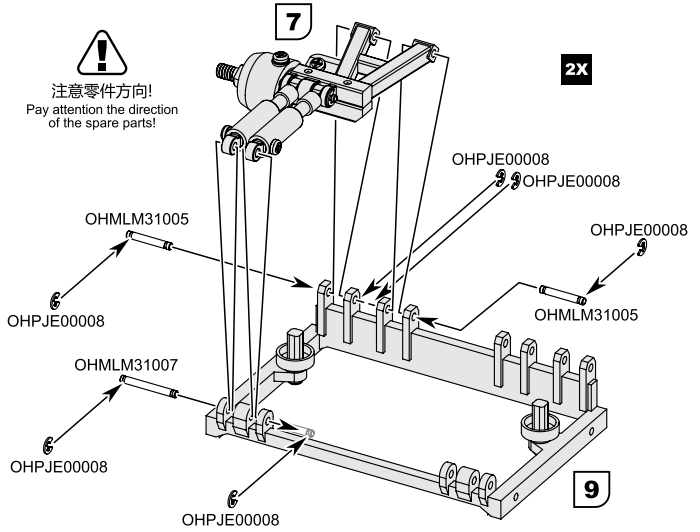


-  **4X** OHMLM31007
-  **8X** OHMLM31005
-  **24X** OHPJE00008

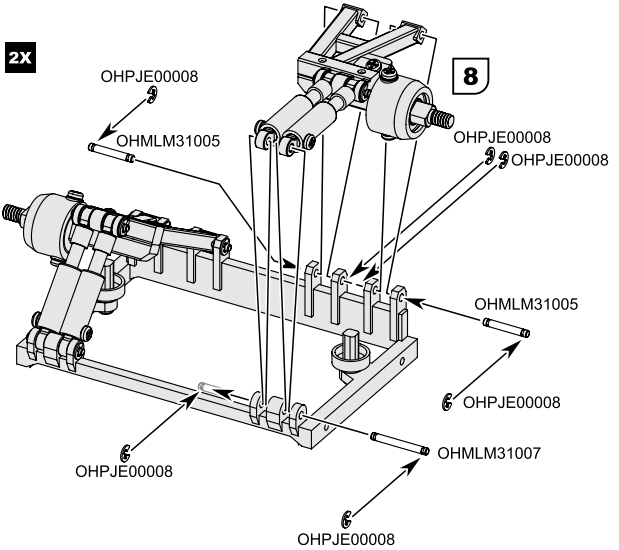
10



注意零件方向!
 Pay attention the direction
 of the spare parts!

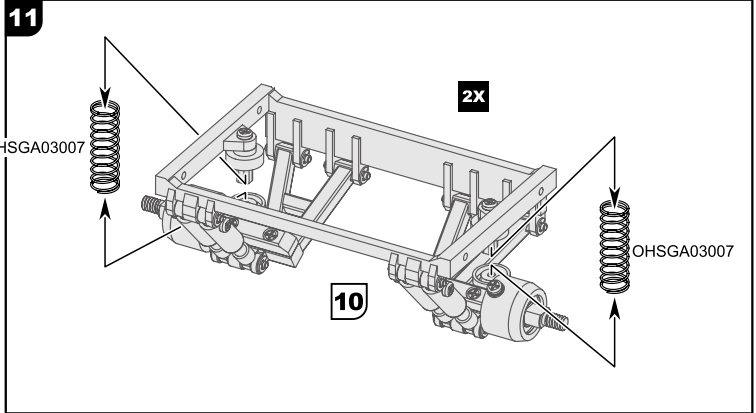


注意零件方向!
 Pay attention the direction
 of the spare parts!



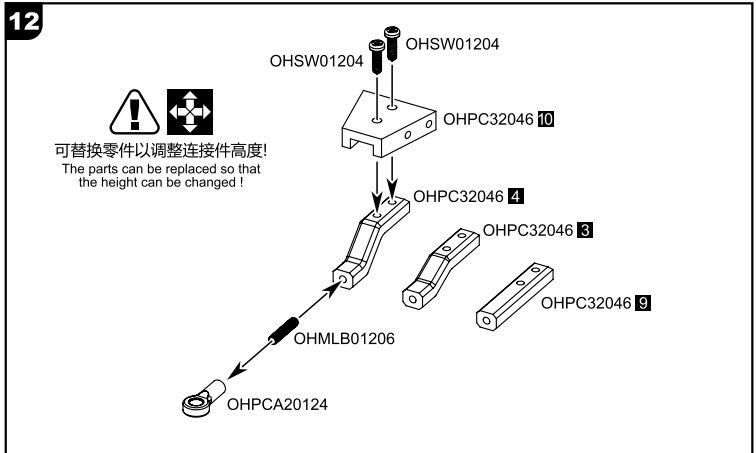


4X OHSGA03007



1X OHMLB01206

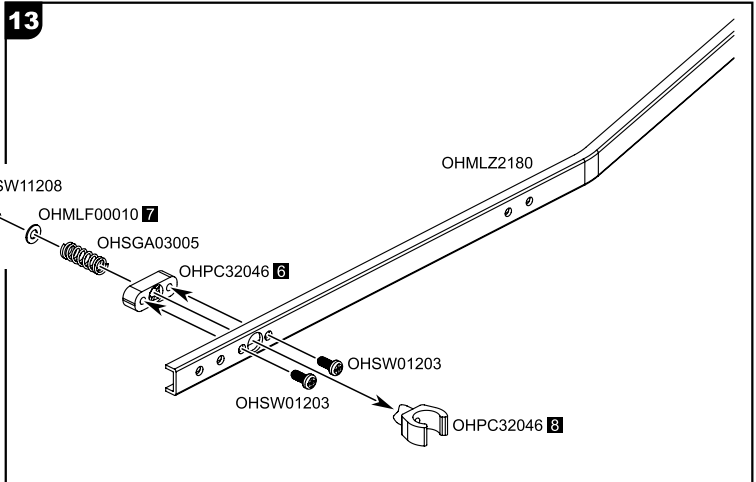
2X OHSW01204



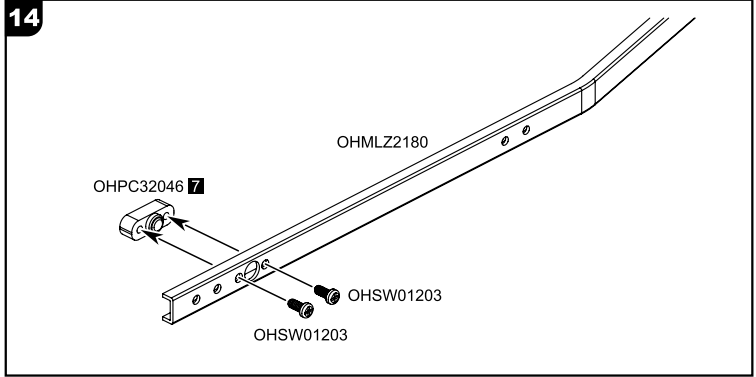
1X OHSGA03005

1X OHSW11208

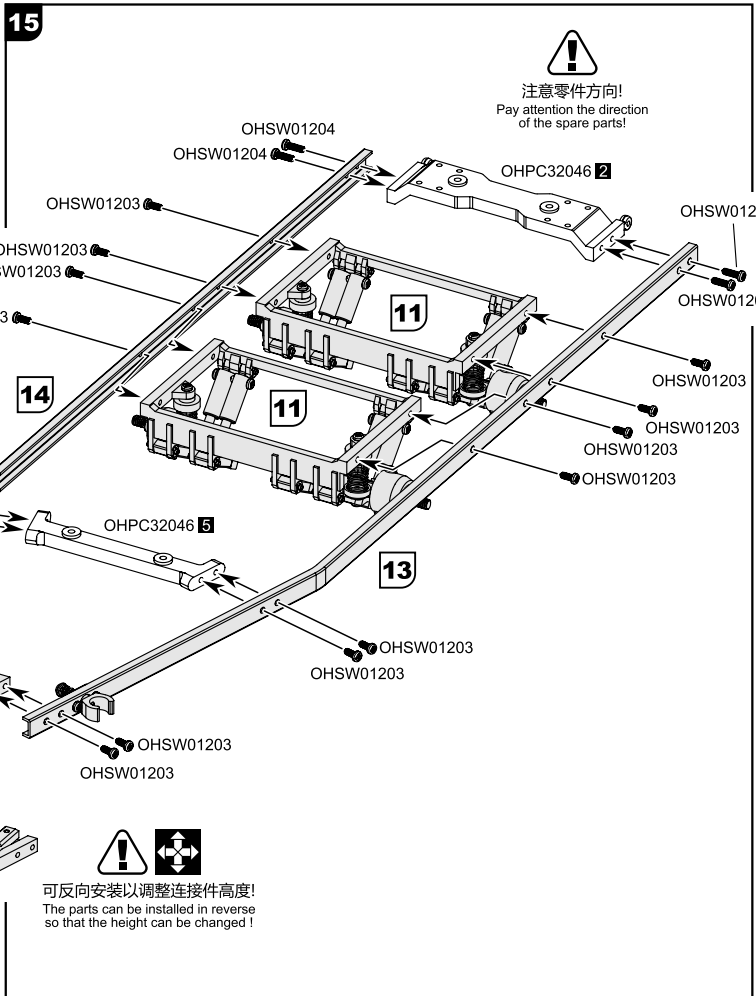
2X OHSW01203



2X OHSW01203



16X OHSW01203
4X OHSW01204



可反向安装以调整连接件高度!
 The parts can be installed in reverse
 so that the height can be changed!

B
打开包裹“B”

C
打开包裹“C”

2X OHSW01203

16

D4L
4合1遥控
4in1 Radio System

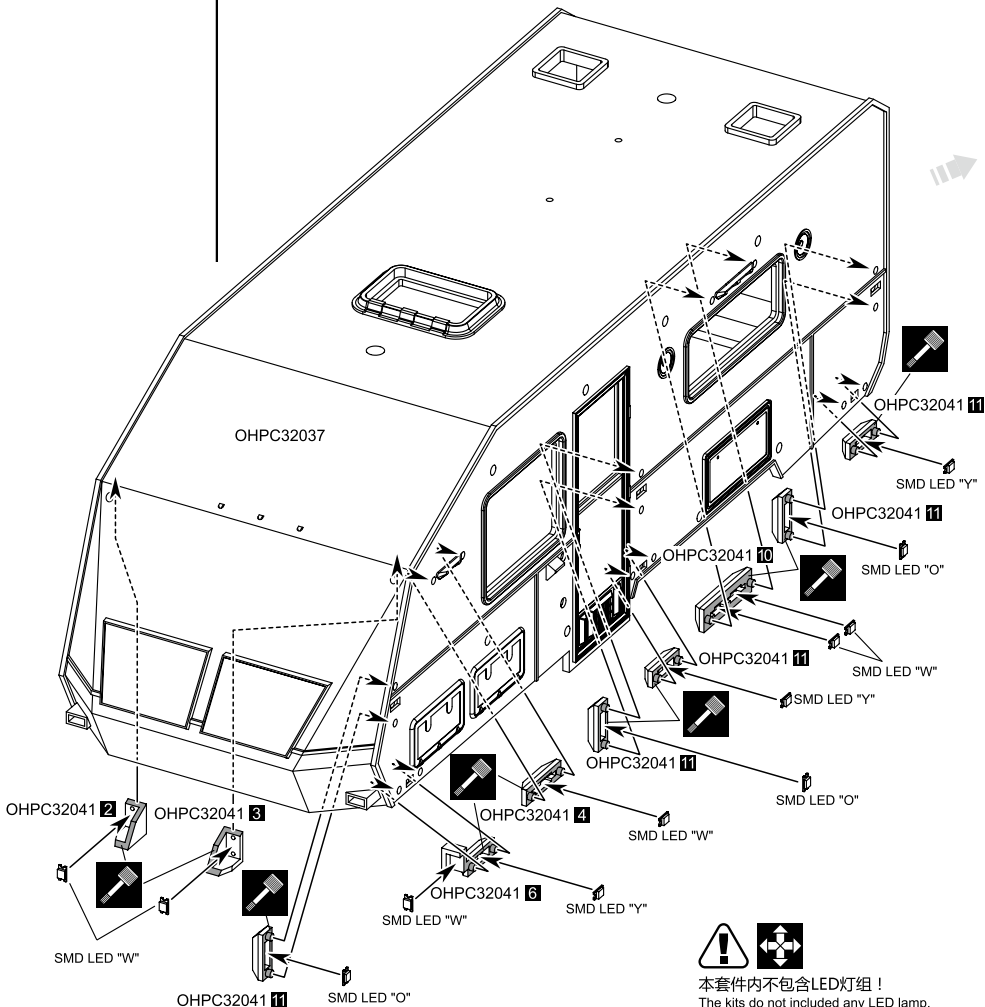
D201N
遥控灯组
Light Control Set

如您的前车(牵引车)使用的是“D4L”2.4Ghz 4合1遥控套装,还可以选购“D201N”遥控灯组配合“D4L”遥控套装,使拖挂房车的灯光系统和前车的灯光系统进行联动,遥控灯组灯光配置包含:(大灯、辅助灯、转向/双闪灯、刹车灯、倒车灯),使模型更仿真。

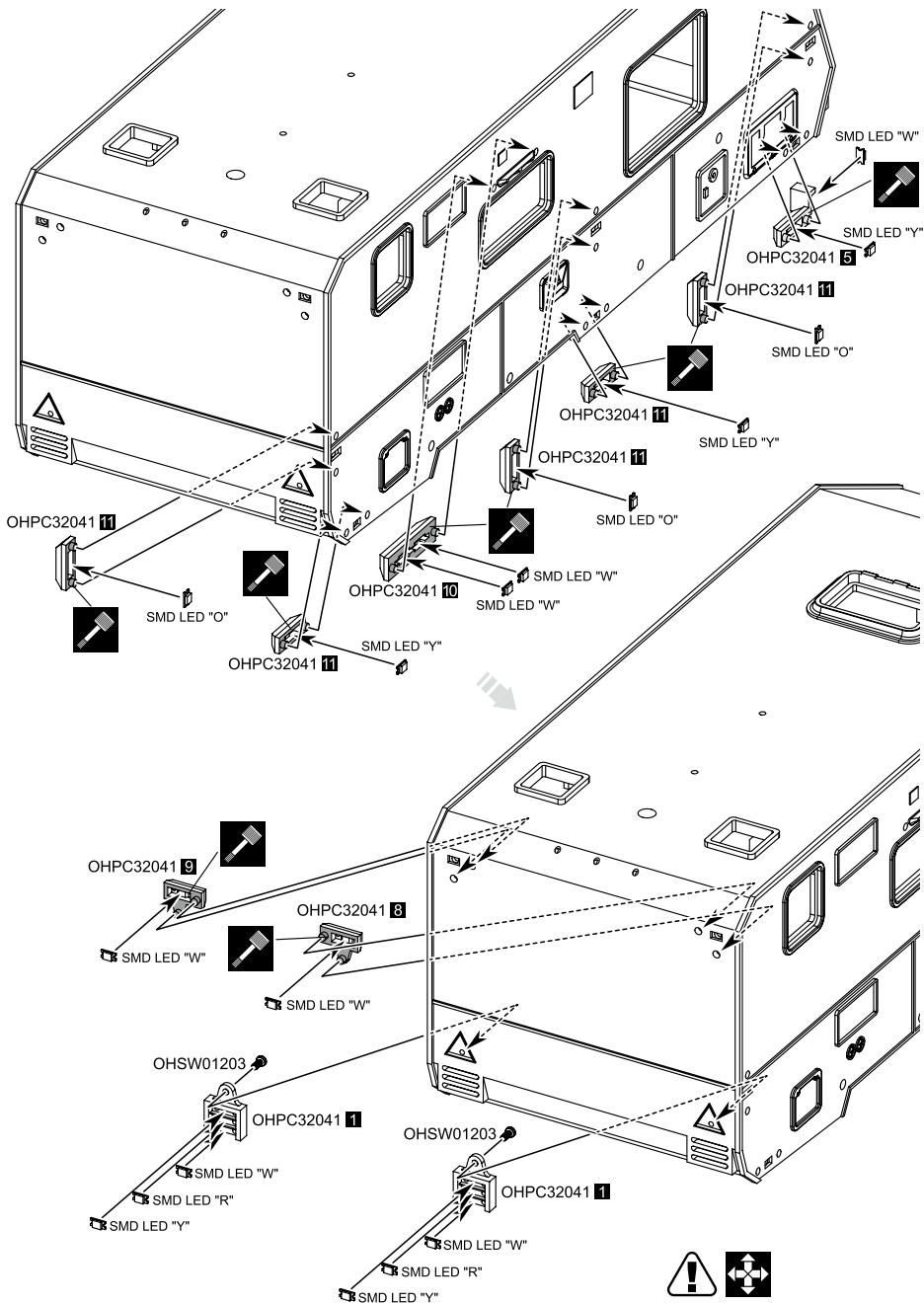
You can use 'D201N 2in1 Light Control Set' for OH32N01, if 'D4L 2.4Ghz 4 in 1 Remote Control Set' was used in the front one (for towing). D201N can be controlled by D4L and synchronize the light of OH32N01 with that of front one.

These parts are included in the 'D201N 2in1 Light Control Set': headlamps, auxiliary lamps, turn signal, hazard lights, brake lamps, reversing lights.

You can add a weight-ring in the tire to lower the overall center of gravity. Make it the same as a real camper trailer.

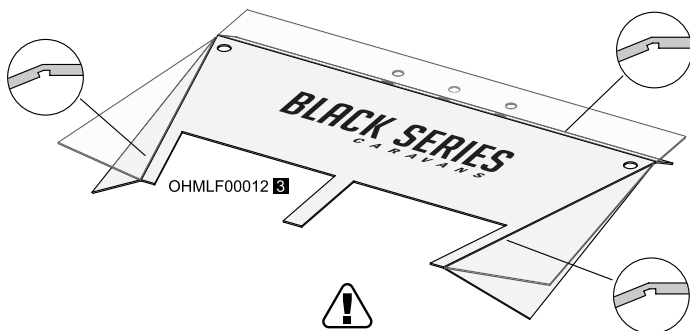


本套件内不包含LED灯组！
The kits do not included any LED lamp.



本套件内不包含LED灯组！
 The kits do not included any LED lamp.

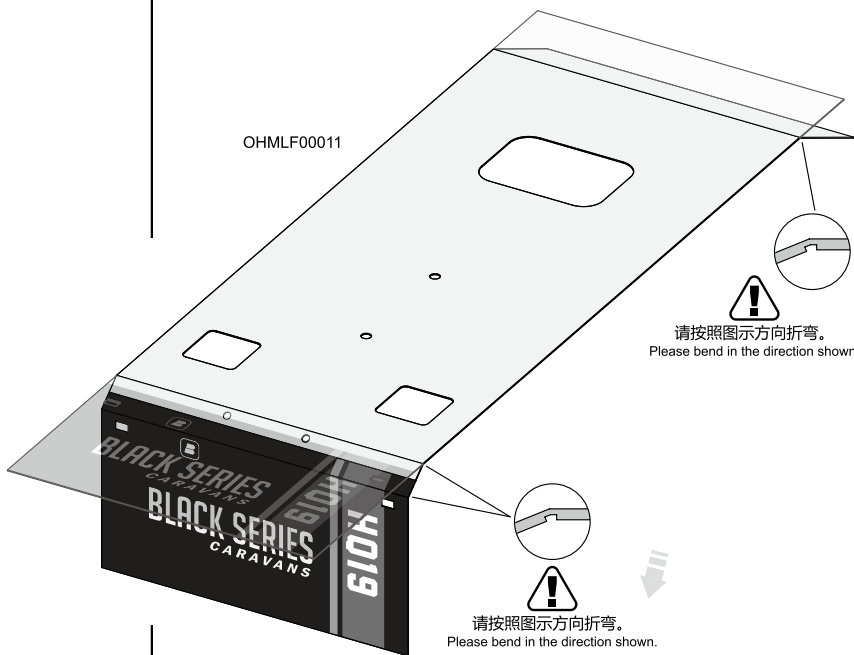
17



OHMLF00012

请按照图示方向折弯。
Please bend in the direction shown.

18

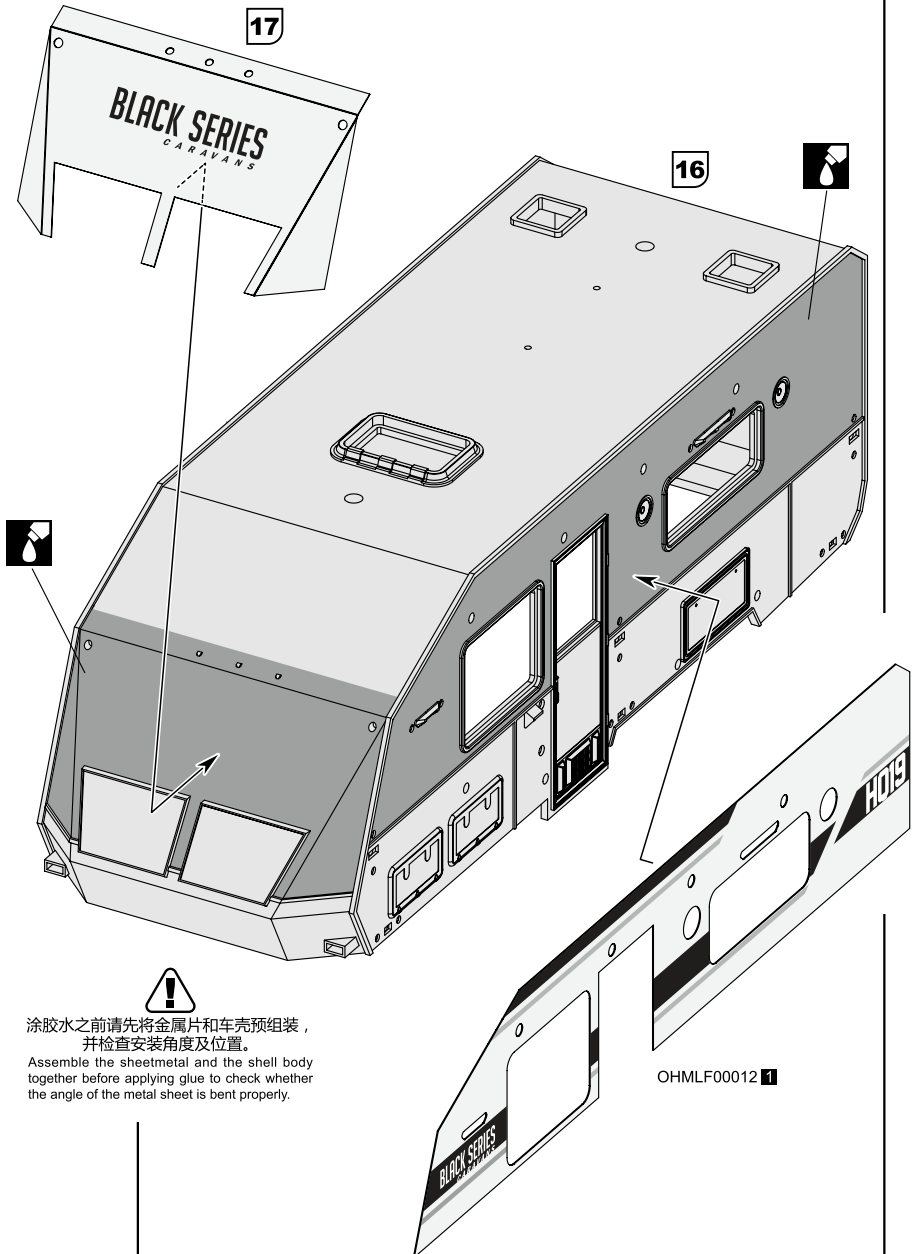


OHMLF00011

请按照图示方向折弯。
Please bend in the direction shown.

请按照图示方向折弯。
Please bend in the direction shown.

19



涂胶水之前请先将金属片和车壳预组装，
并检查安装角度及位置。

Assemble the sheetmetal and the shell body
together before applying glue to check whether
the angle of the metal sheet is bent properly.

20

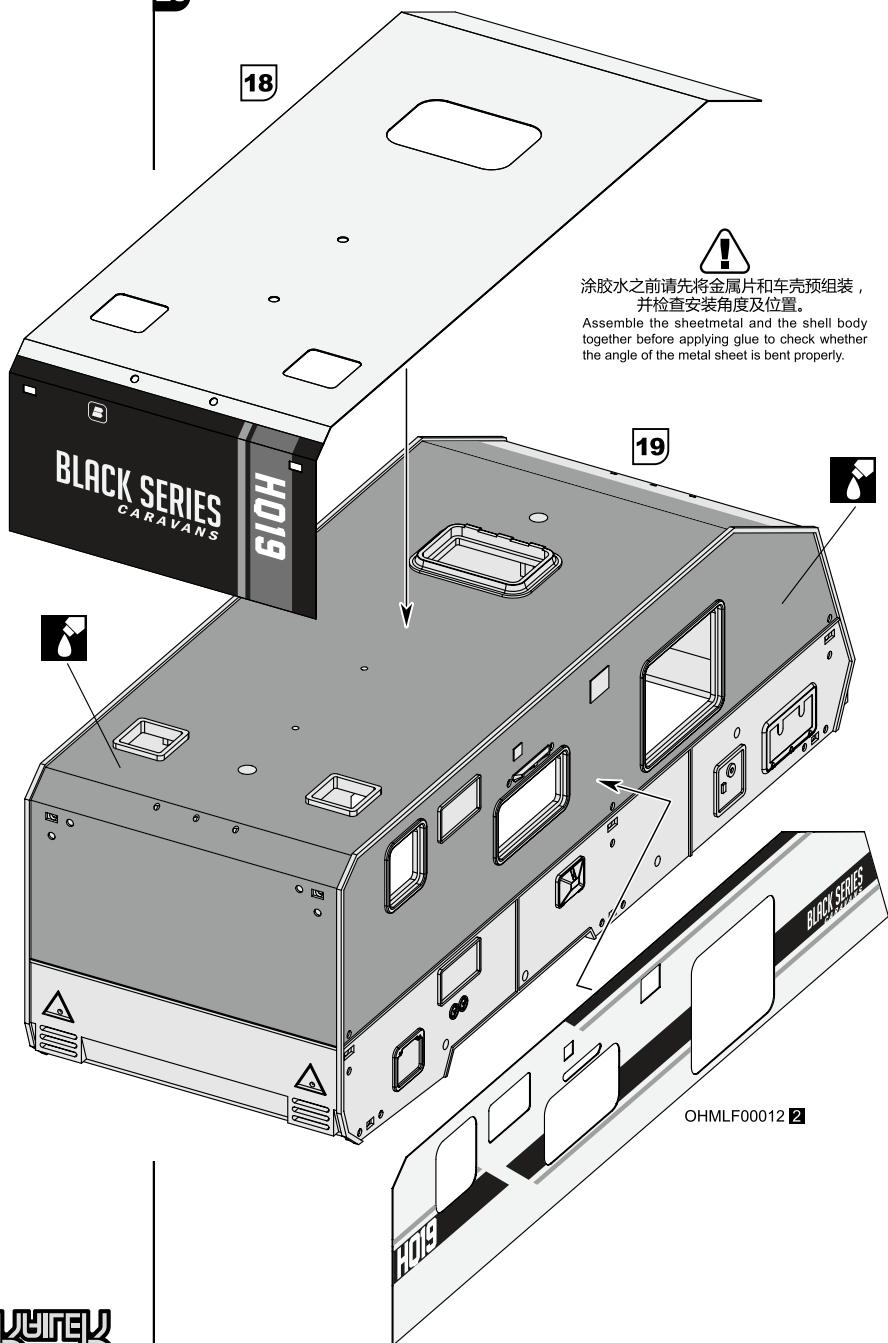
18



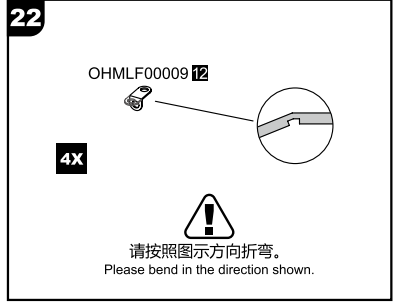
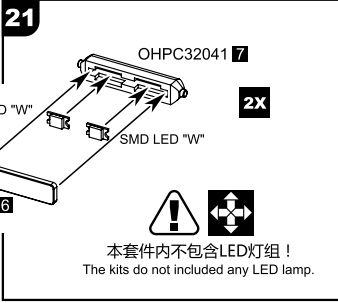
涂胶水之前请先将金属片和车壳预组装，
并检查安装角度及位置。

Assemble the sheetmetal and the shell body
together before applying glue to check whether
the angle of the metal sheet is bent properly.

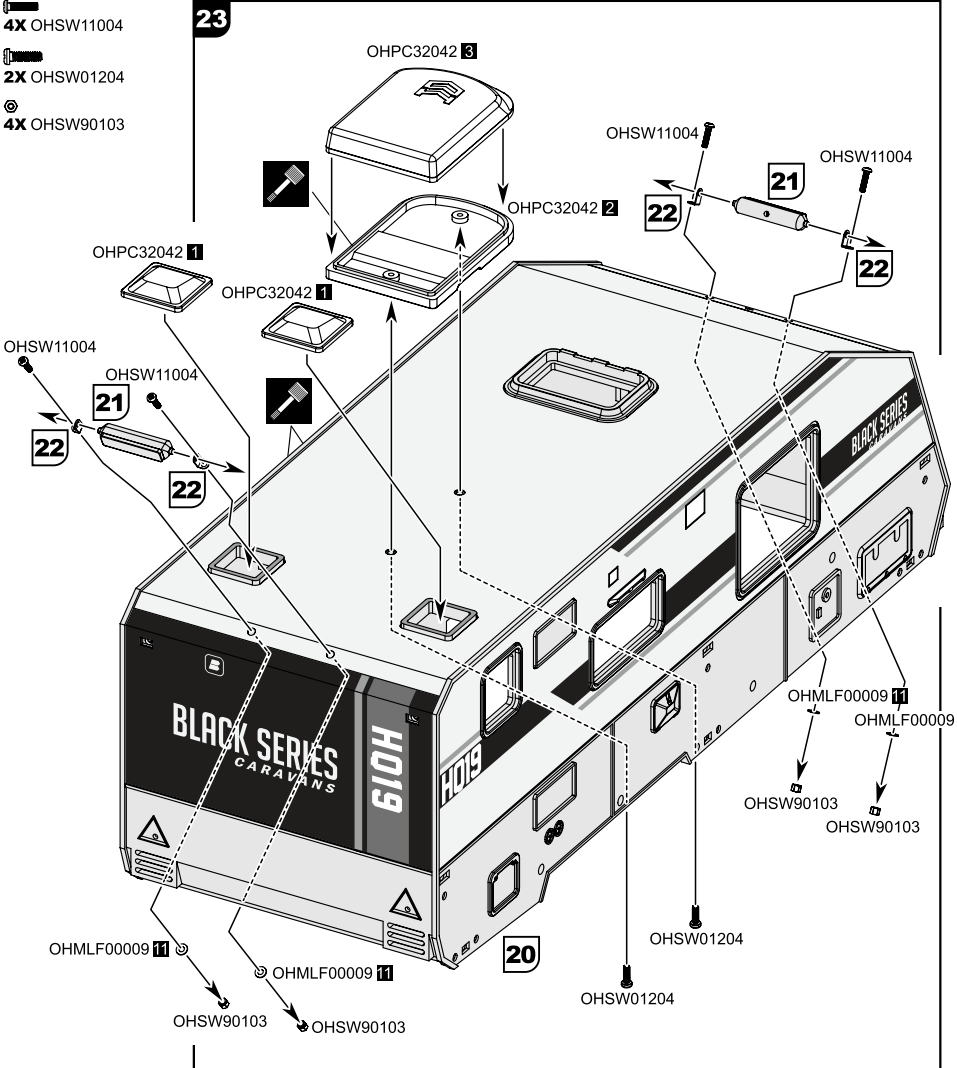
19



OHMLF00012 2



- 4X OHSW11004
- 2X OHSW01204
- 4X OHSW90103



4X OHSW01204

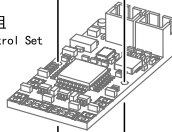
2X OHSW01505

24



遥控灯组
Light Control Set

OHSW01204
OHSW01204



OHSW01505
OHSW01505



本套件内不包含D201N遥控灯组及开关！
D201N remote control lights and switches are not included！



注意零件方向！
Pay attention the direction of the spare parts!



OHPC32043 1

OHPC32043 4

OHSW01204

OHSW01204

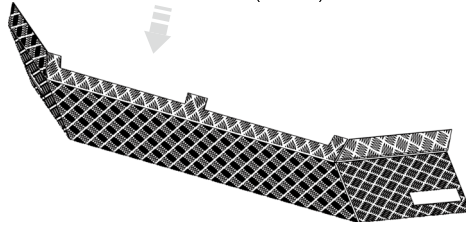
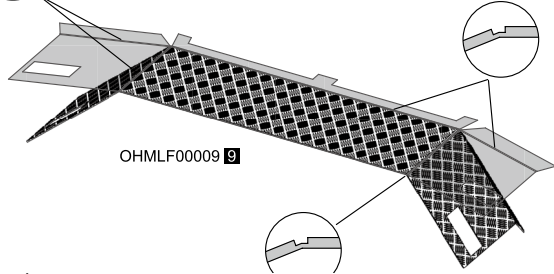
23

OHPC32043 2

25



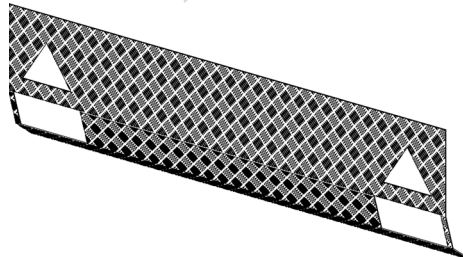
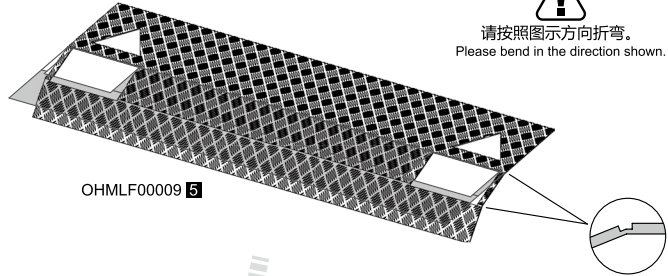
请按照图示方向折弯。
Please bend in the direction shown.



26



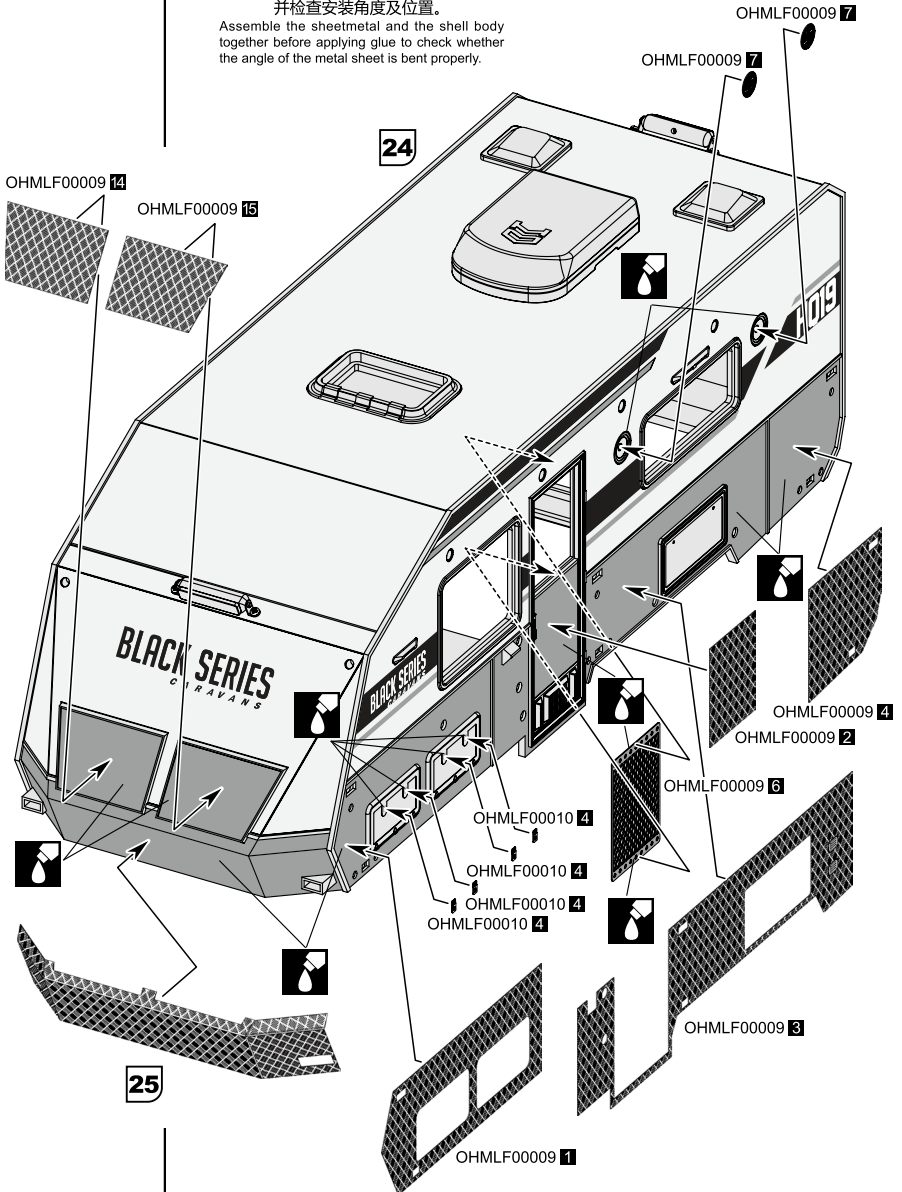
请按照图示方向折弯。
Please bend in the direction shown.





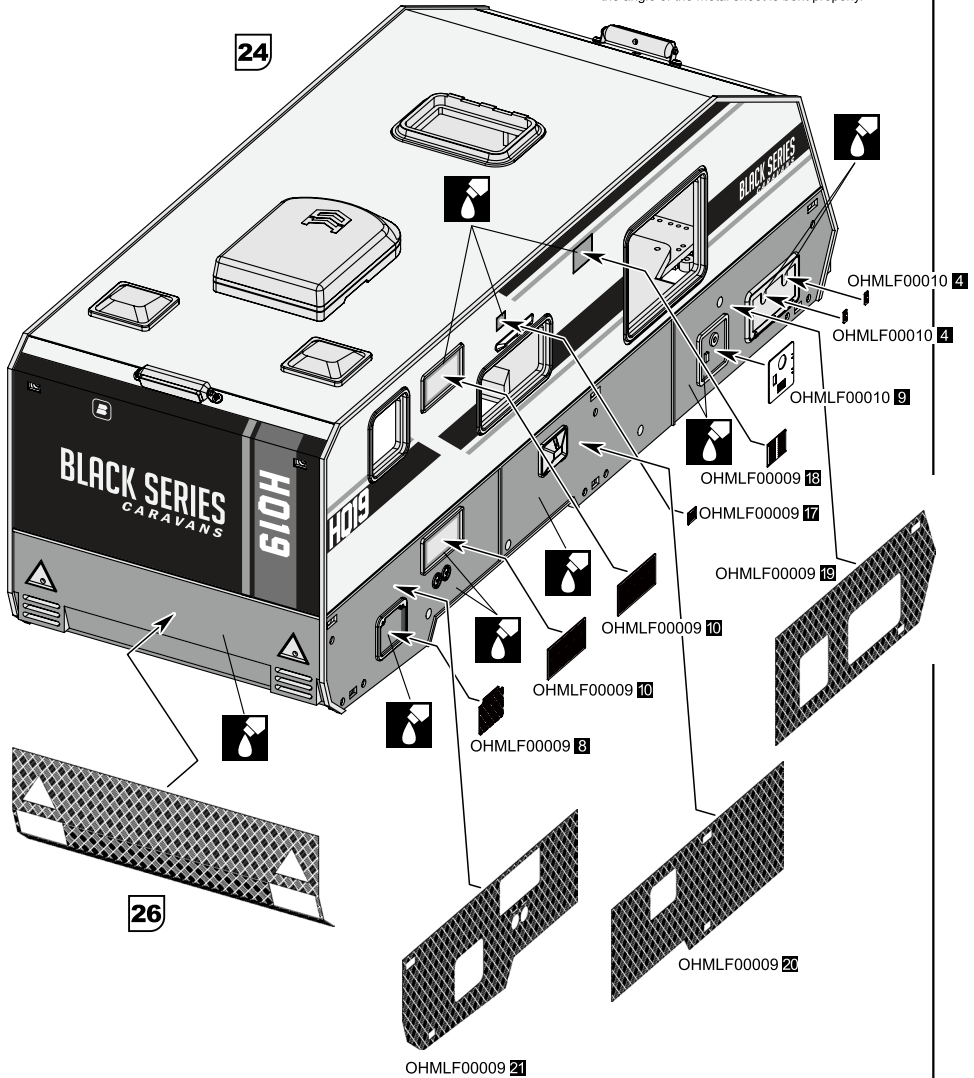
涂胶水之前请先将金属片和车壳预组装，
并检查安装角度及位置。

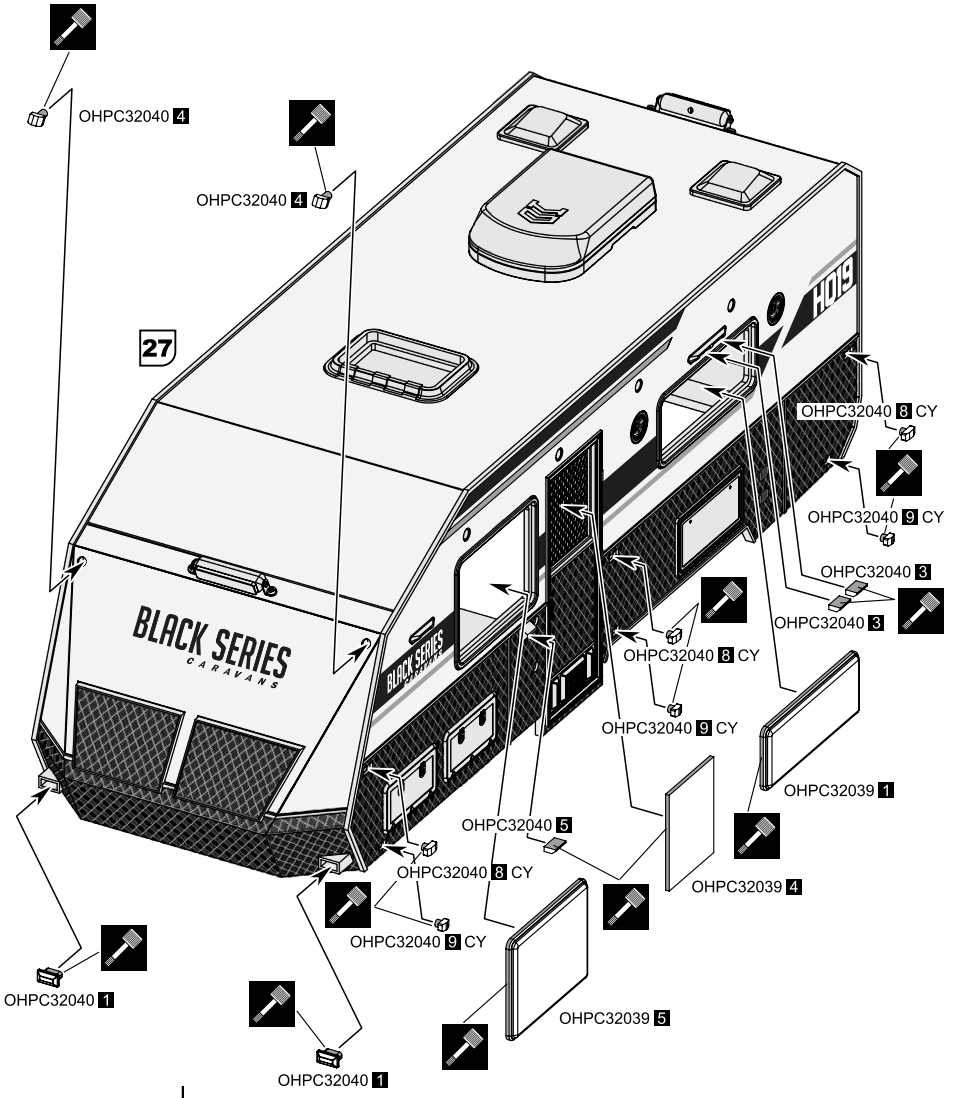
Assemble the sheetmetal and the shell body
together before applying glue to check whether
the angle of the metal sheet is bent properly.

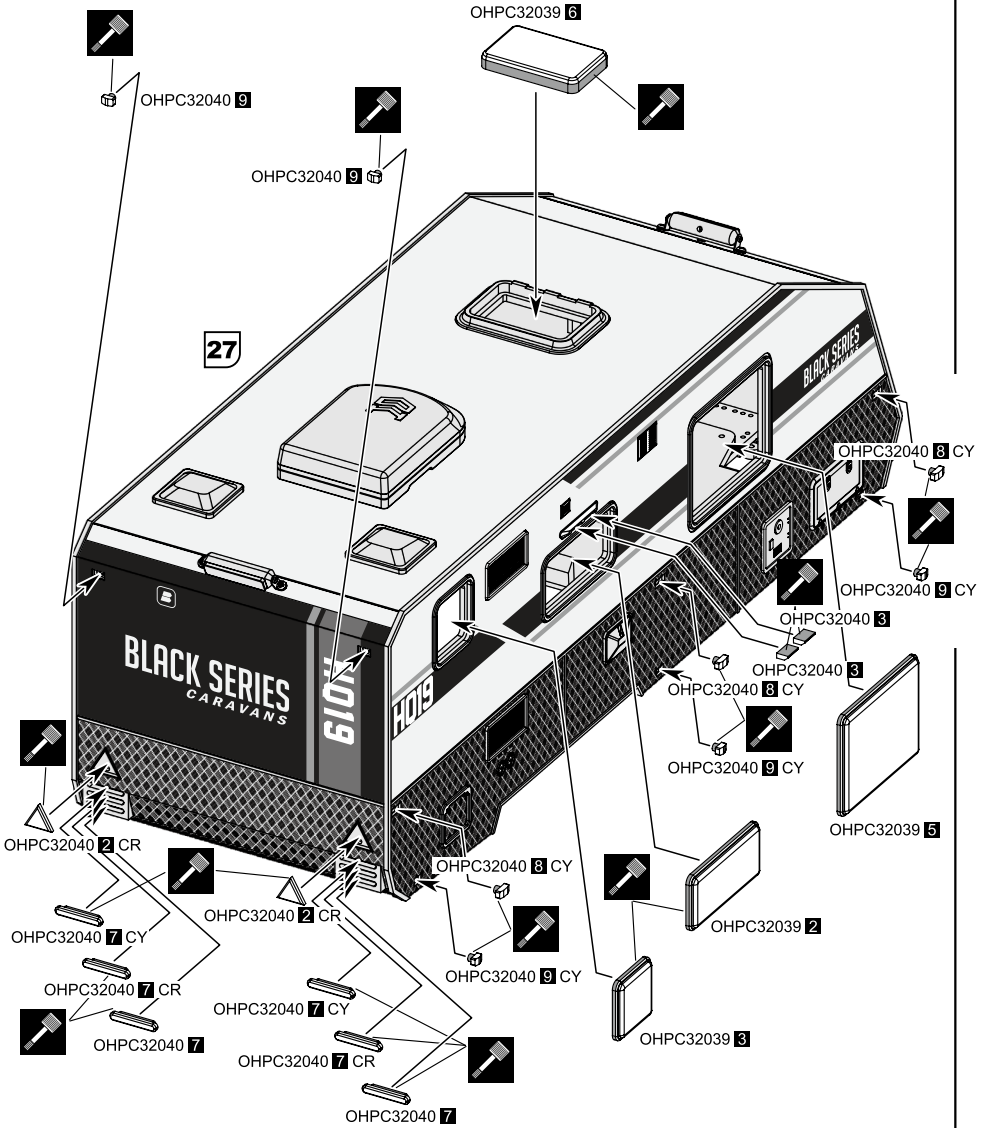




涂胶水之前请先将金属片和车壳预组装，
 并检查安装角度及位置。
 Assemble the sheetmetal and the shell body
 together before applying glue to check whether
 the angle of the metal sheet is bent properly.







D

打开包裹“D”

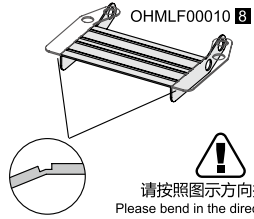
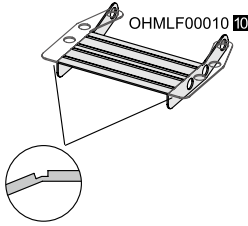
5X OHMLM99170

4X OHPJQ08026

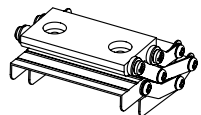
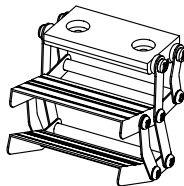
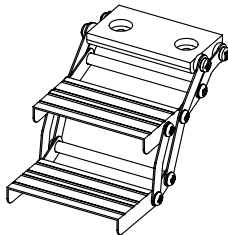
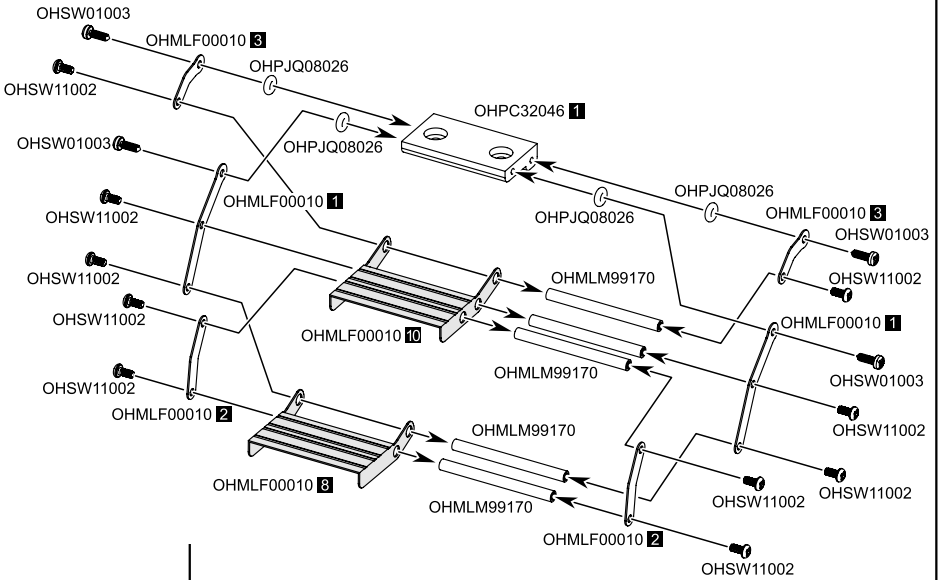
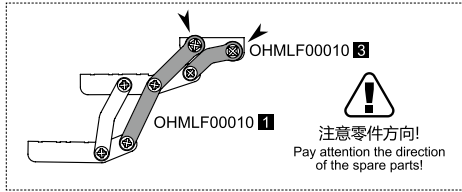
4X OHSW01003

10X OHSW11002

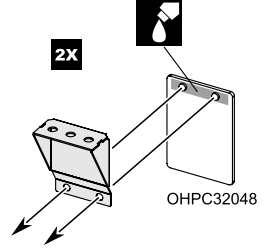
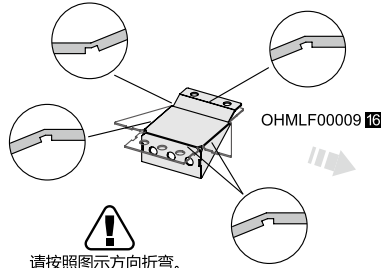
29



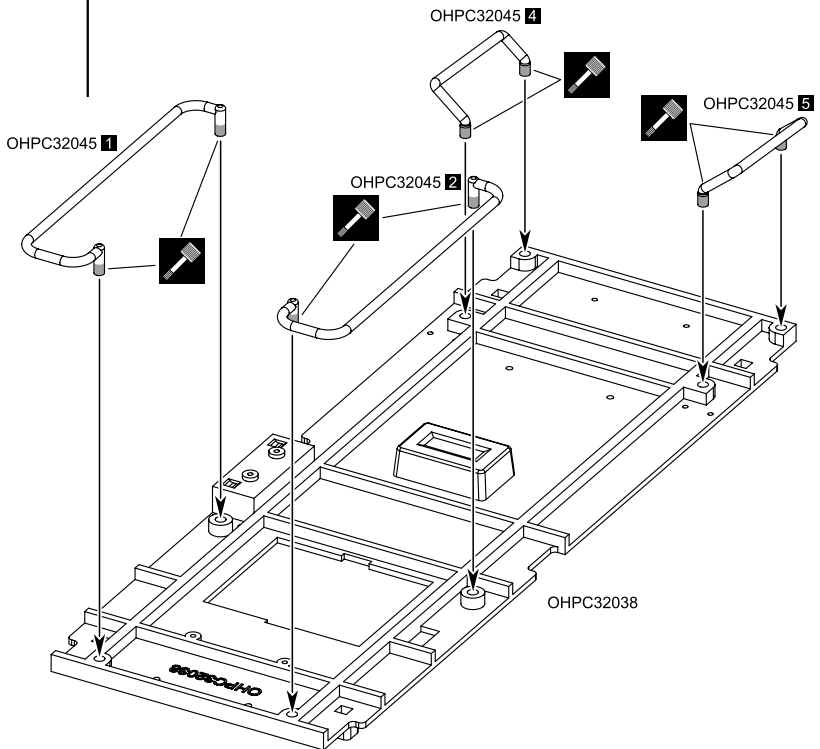

请按照图示方向折弯。
Please bend in the direction shown.



30



31



2X OHSW01203

6X OHSW01204

32

OHPC32043 3

OHSW01204

OHSW01204

OHSW01203
OHSW01203

29

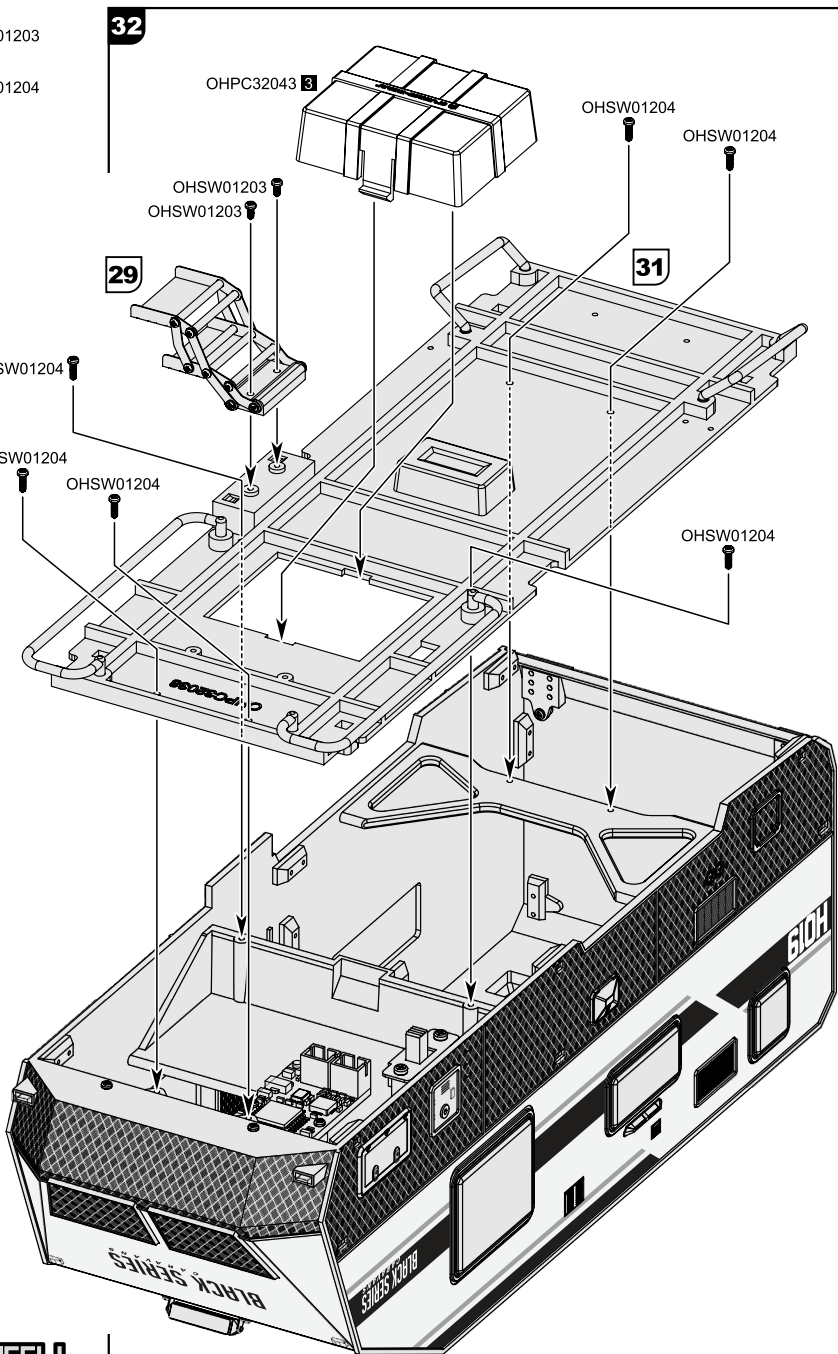
31

OHSW01204

OHSW01204

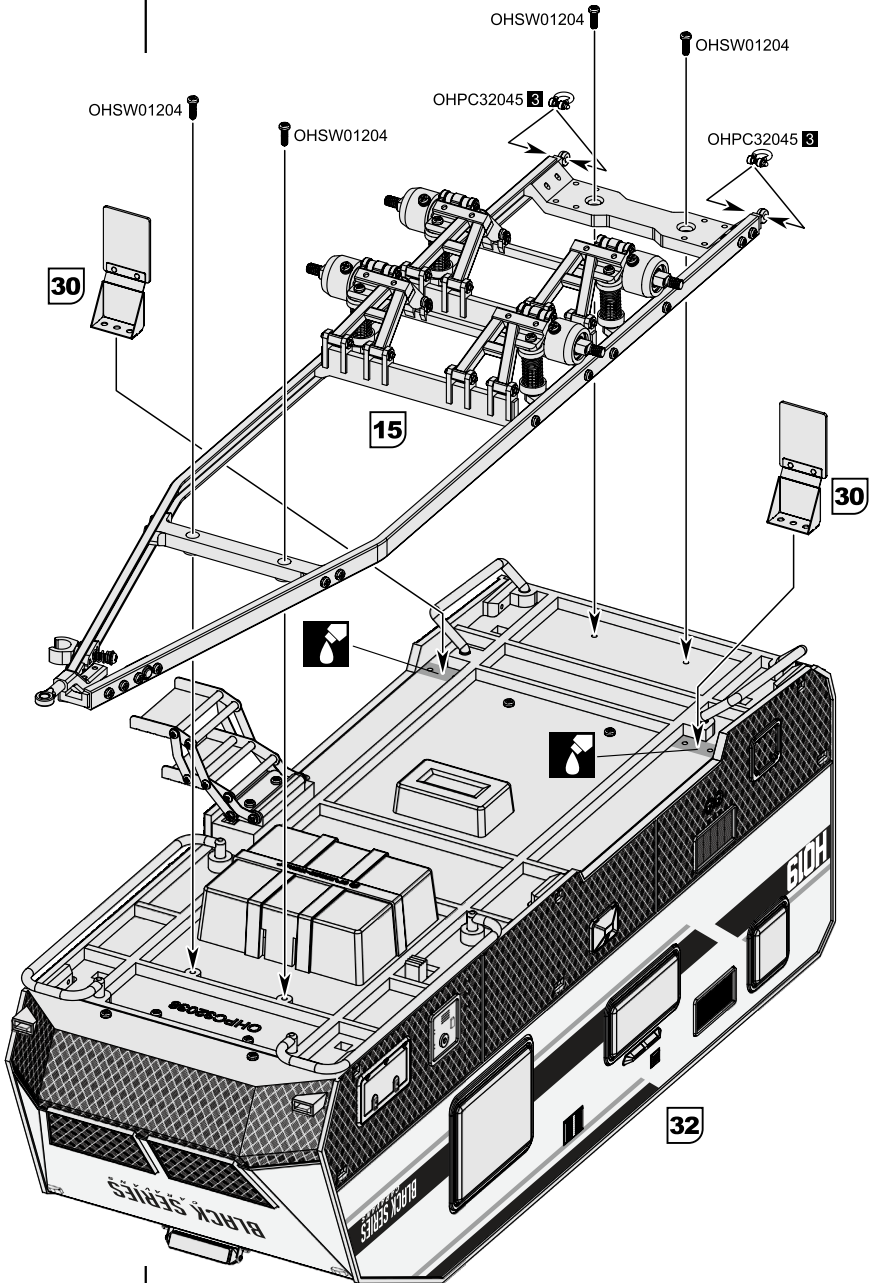
OHSW01204

OHSW01204

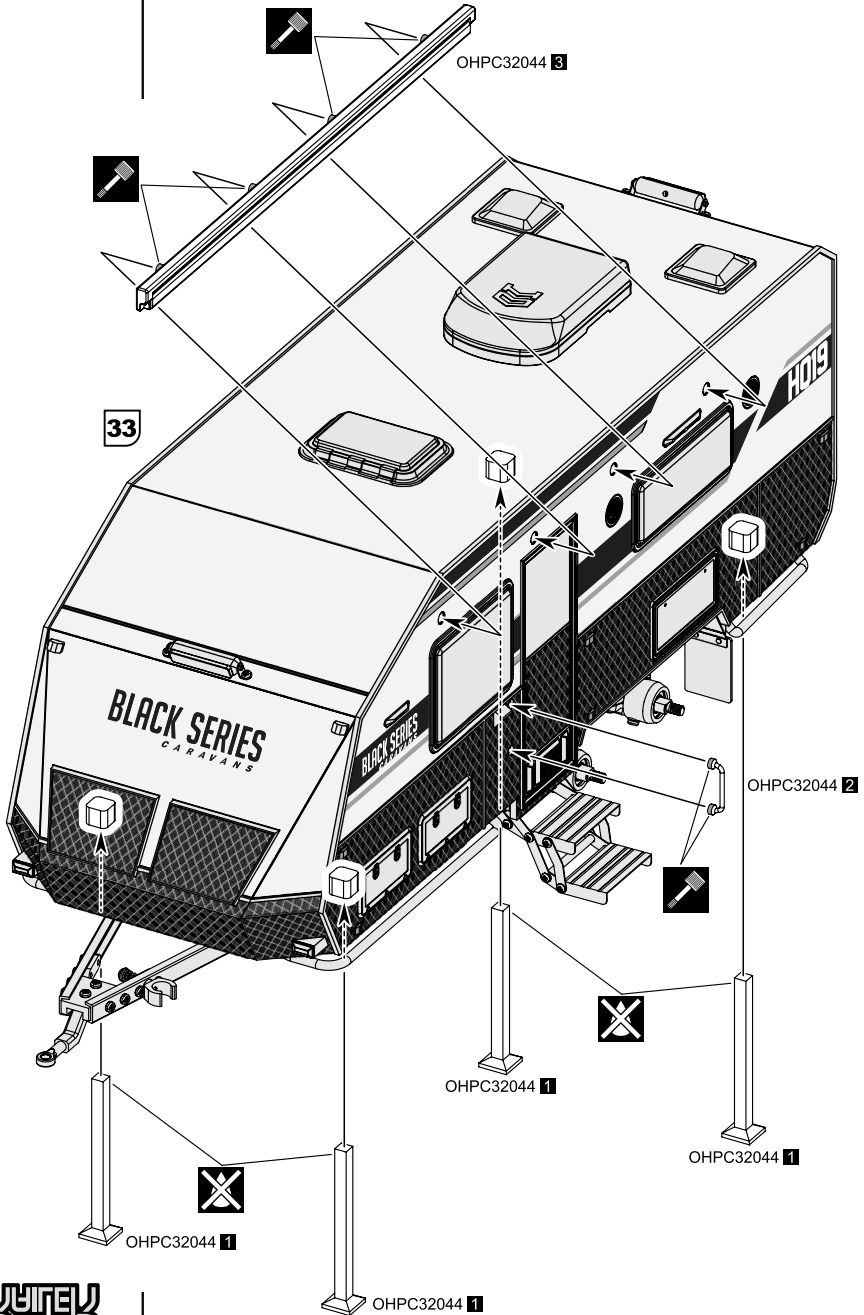


4X OHSW01204

33



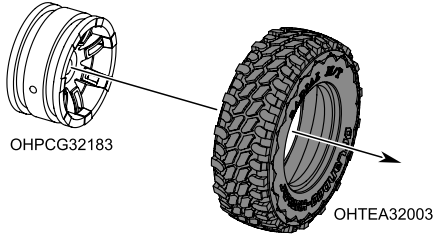
34



E
打开包裹“E”

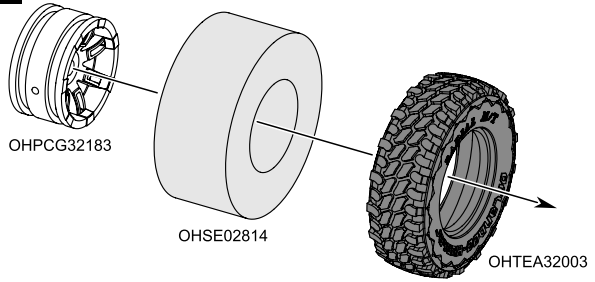
35

2X

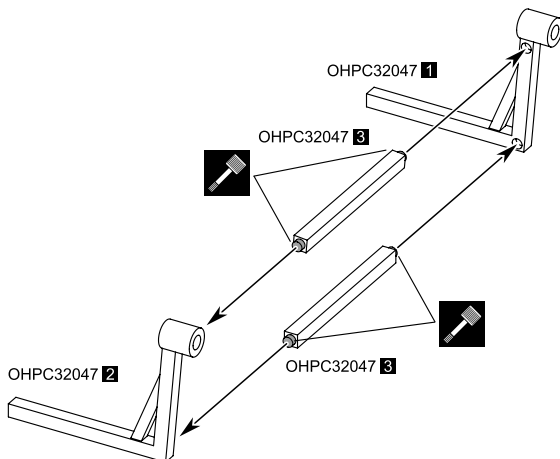




36

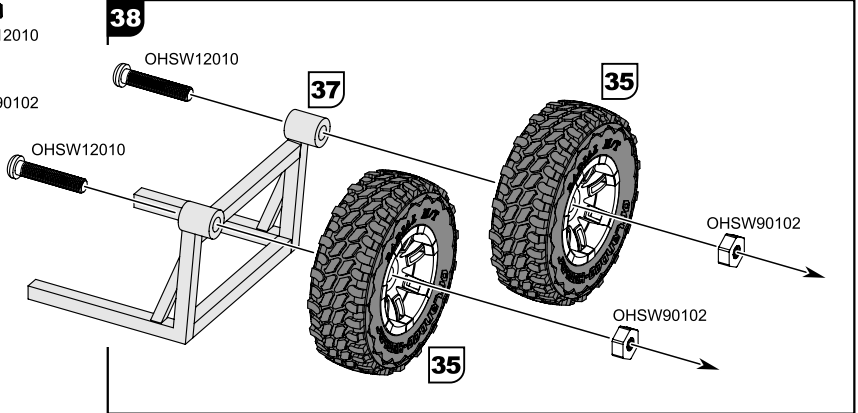
4X



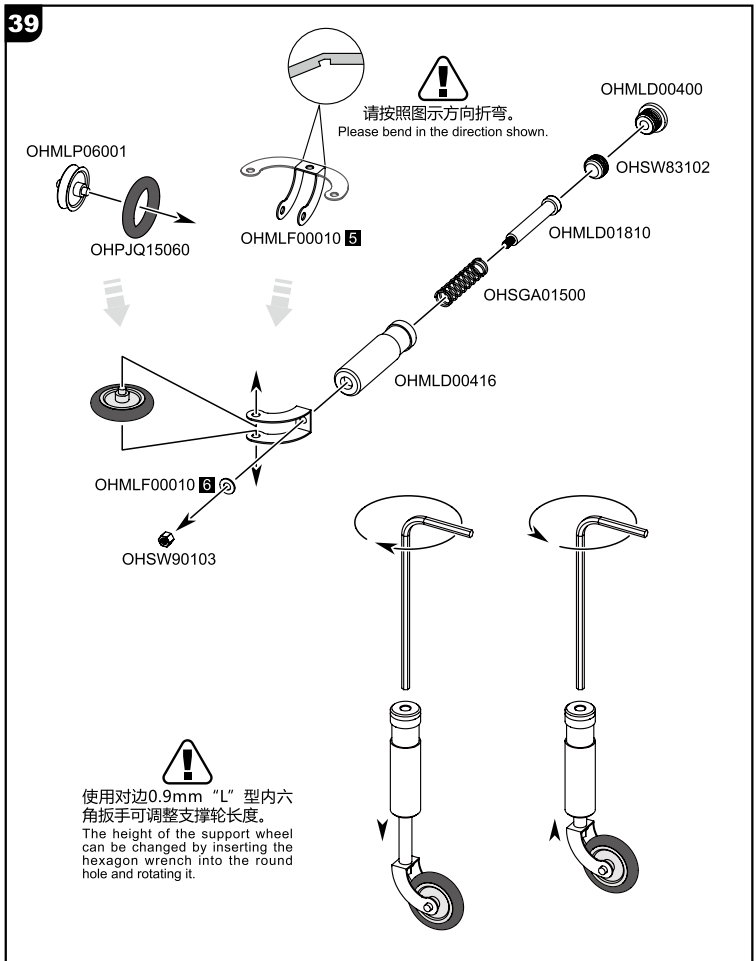
37



-  **2X** OHSW12010
-  **2X** OHSW90102

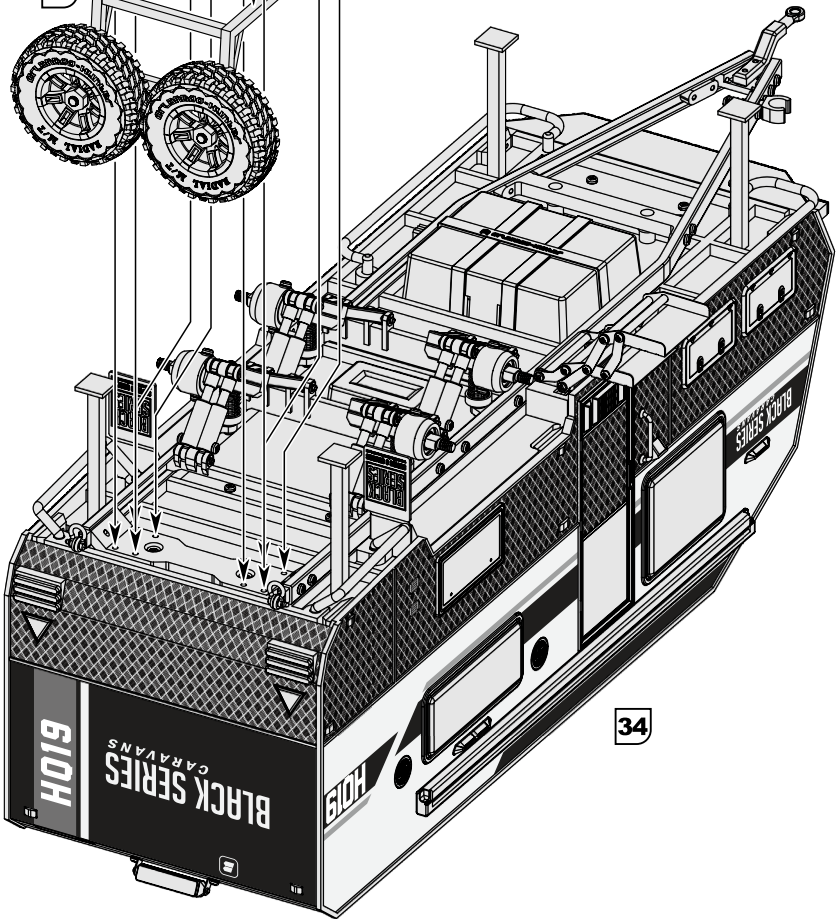
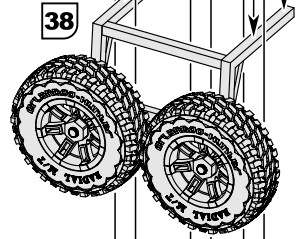
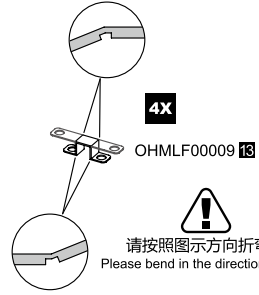
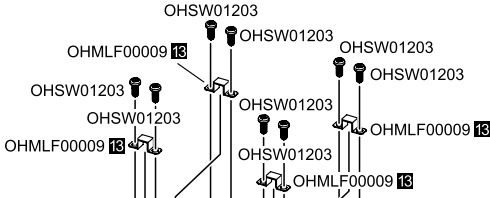


-  **1X** OHMLD00400
-  **1X** OHMLD00416
-  **1X** OHMLD01810
-  **1X** OHMLP06001
-  **1X** OHSGA01500
-  **1X** OHPJQ15060
-  **1X** OHSW83102
-  **1X** OHSW90103



8X OHSW01203

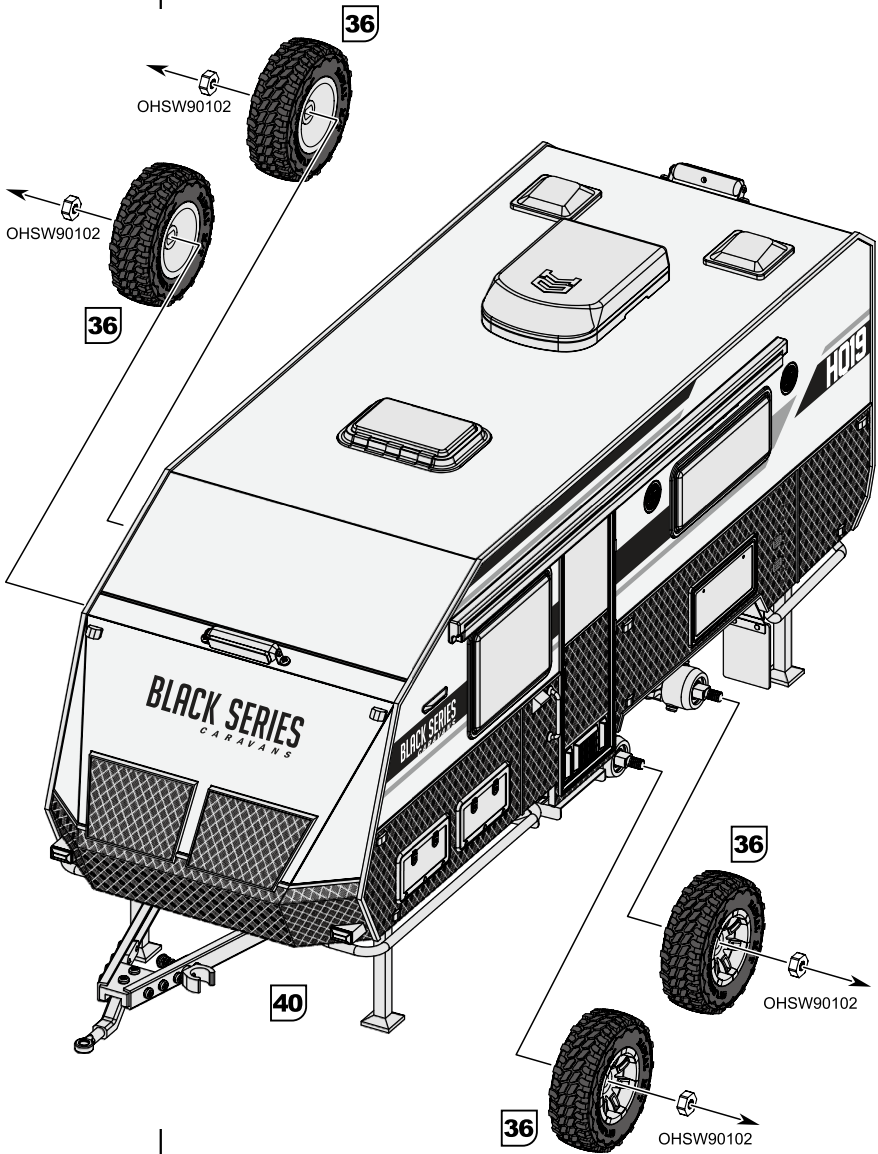
40





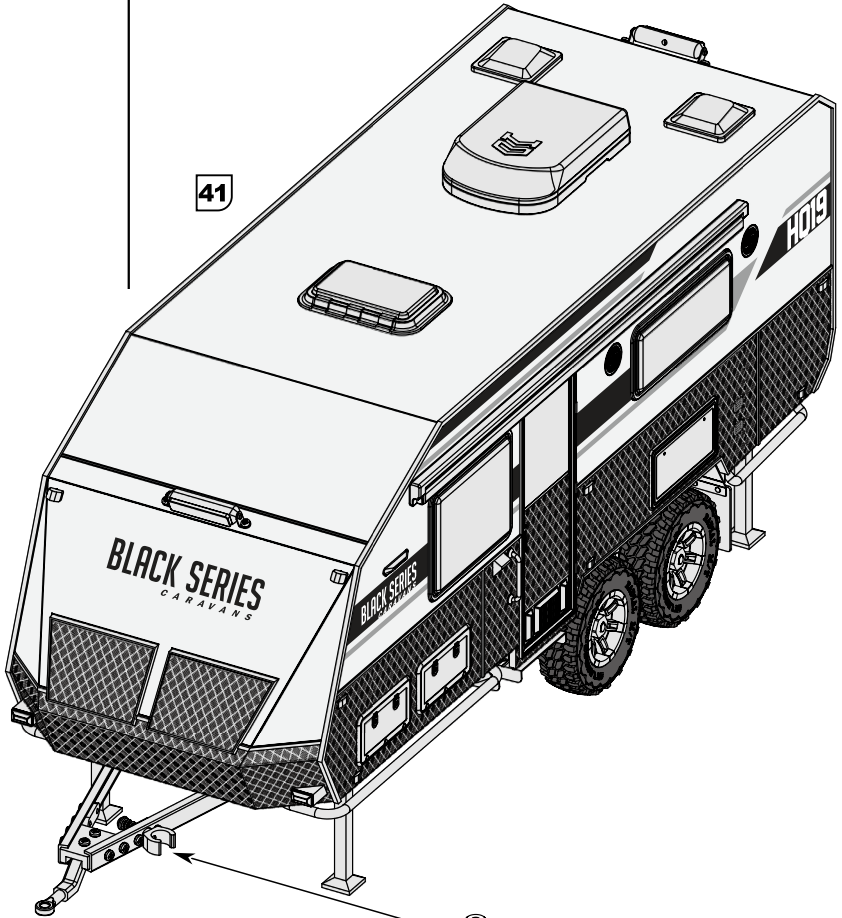
4X OHSW90102

41

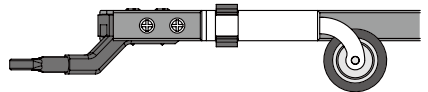
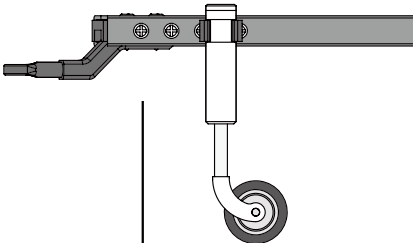
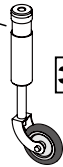


42

41

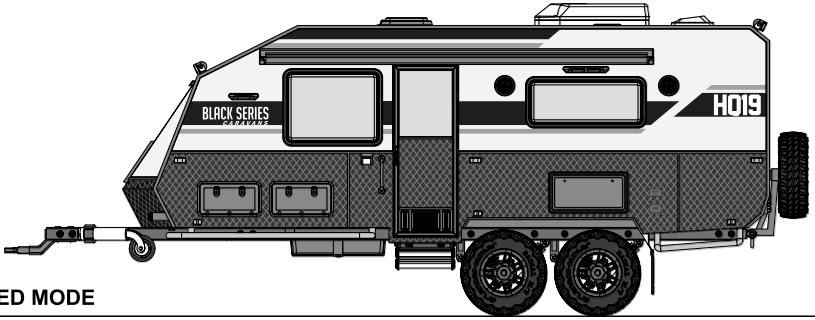


39

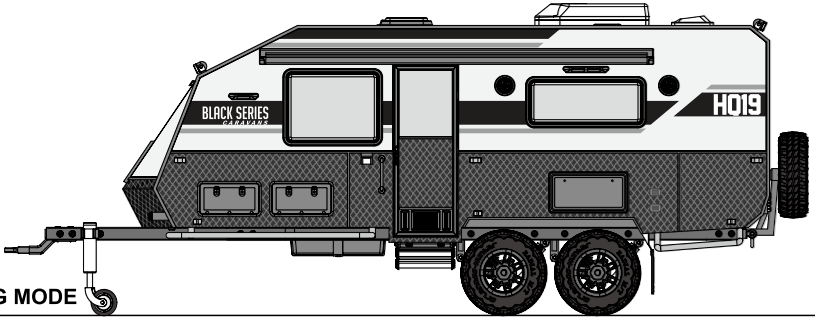


支撑轮可旋转。
The support wheel can rotate.

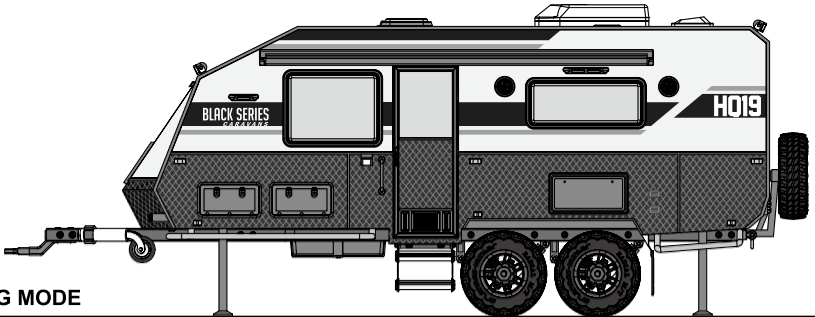
拖车模式
BE TOWED MODE



驻车模式
PARKING MODE



露营模式
CAMPING MODE



配重/重心调整 COUNTERWEIGHT / WEIGHT ADJUSTMENT

模型加入设备后重心位置会发生改变，可在底盘上增加配重来达到前后左右的平衡，底盘以上配重不宜过重，配重物放置位置越低，则车辆稳定性越好。

您还可购买轮毂配重环增加4个轮胎的重量，或使用软铅丝或焊锡丝在轮毂和胎皮之间均匀缠绕达到配重效果，注意左右两侧轮胎配重要一致，前轮可适当增加配重。轮毂配重后，整车重心进一步降低，行进起伏路面时车辆扭曲更加仿真，爬陡坡时更能增加抓地力，重心降低后更不易翻车，性能更稳定！

Gravity position will be changed after the model was added equipment, you can add the balance weight to the chassis to achieve equilibrium around. The over Chassis weight should not be too heavy, and the lower placement of balance weight, the vehicle stability will be better.

You can also buy the wheel hub balance weight to increase the weight of the four tires, or use a soft lead wire or solder between the hub and the tire cover wound achieve uniform weight effect.

Please note that the weight between left and right sides of the tire should be same, the front wheel can be appropriate to increase the weight, after the wheel hub the counterweight, the vehicle center of gravity will be lower. When the vehicle travelling the rough road, the twist much more like real vehicle, better grip while climbing a steep hillside, the center of gravity lower, more difficult to overturn and stable performance !