

MCT-300 132th

全地形履带 ALL MOUNTAIN CONTINUOUS TRACK

感谢您购买 奥兰多汉特 模型。

请您务必仔细阅读说明书，根据说明书的提示来帮助您完成您的模型。

本套件为KIT散件版本，需要您动手组装及调试。

全地形履带，你绝对不会失望，它能征服更多的未知地形，成为真正的山地野兽。

Thanks for choosing **ORLANDOO-HUNTER** model. Please read our instructions carefully, and following our instructions to help you finish assembling the model. The kits are parts, need assembling and debugging by yourself. All Mountain Continuous Track, you definitely wouldn't have disappointed as it can conquer uncharted obstacles and terrain. Be a true mountain monster.

警告 WARNING

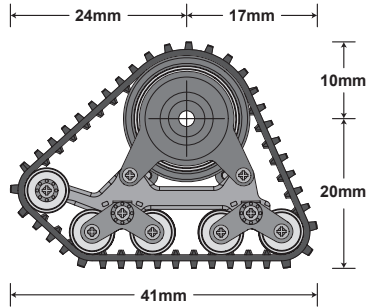
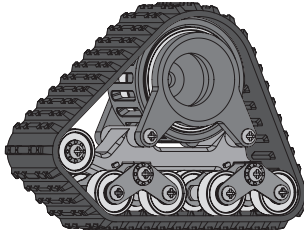
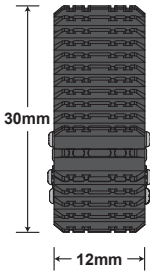
本套件不适合 14 岁以下使用！
The kits are not suitable for child under 14 years old!



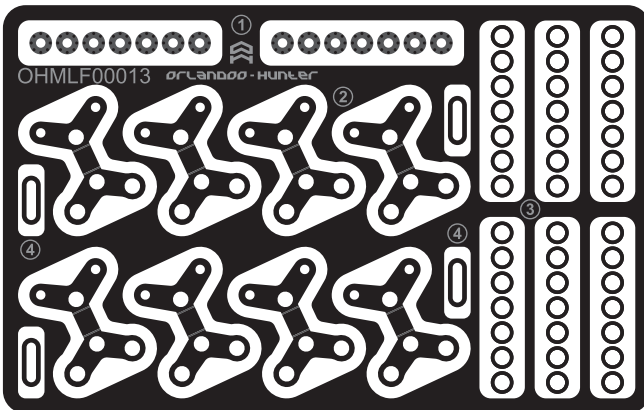
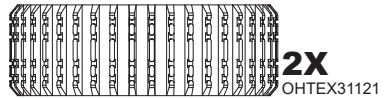
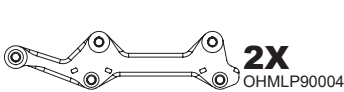
套件内含量微小零件，若儿童吸入或误食，可能会导致窒息等危险！请务必放置于儿童不易接触的地方！

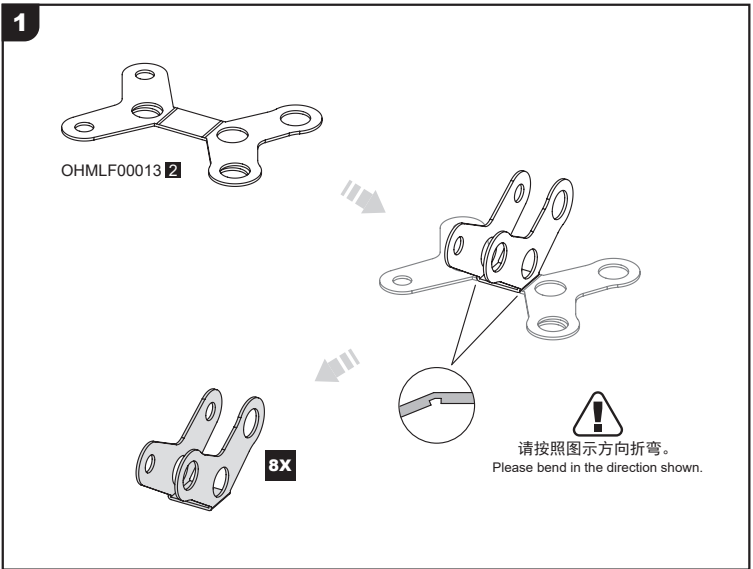
The kits including many mini parts, if the child inhalation or mistake eaten, can cause choking or other serious hazard!
Please be sure put the model at the place where child can not touch it!

尺寸/参数 SIZE / DATA



部件/编号对照 PARTS / REFERENCE NUMBER





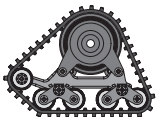
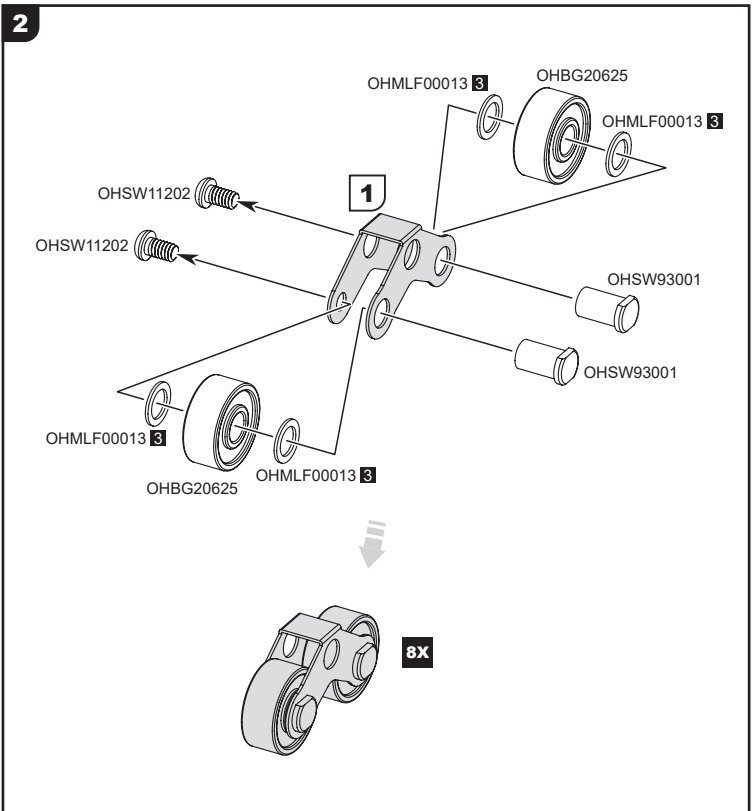
16X OHBG20625



16X OHSW93001



16X OHSW11202



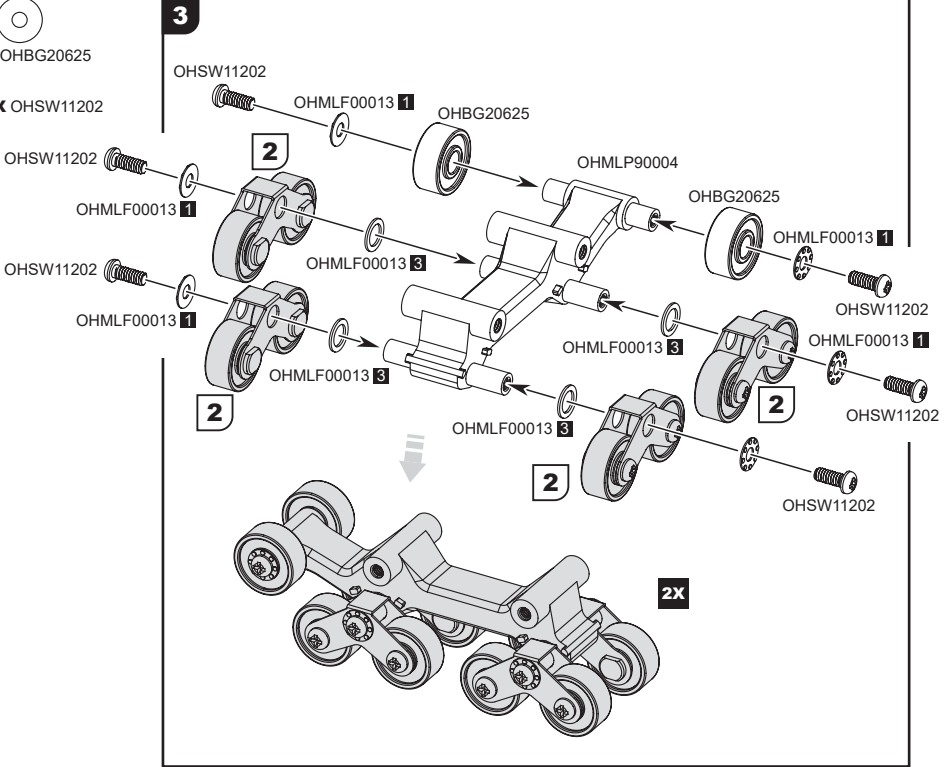
MCT-300



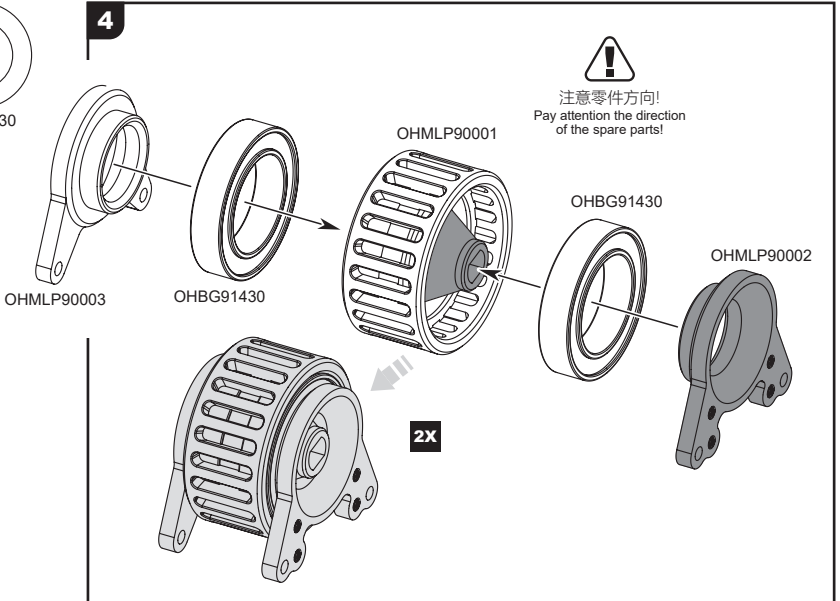
4X OHBG20625



12X OHSW11202



4X OHBG91430

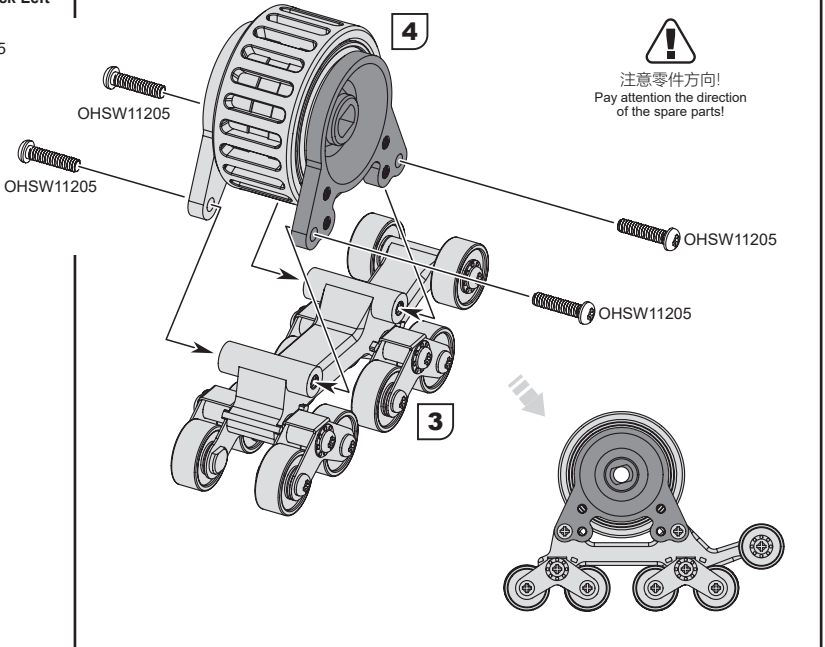


左侧履带

Continuous track Left



4X OHSW11205

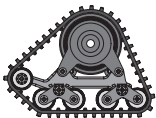
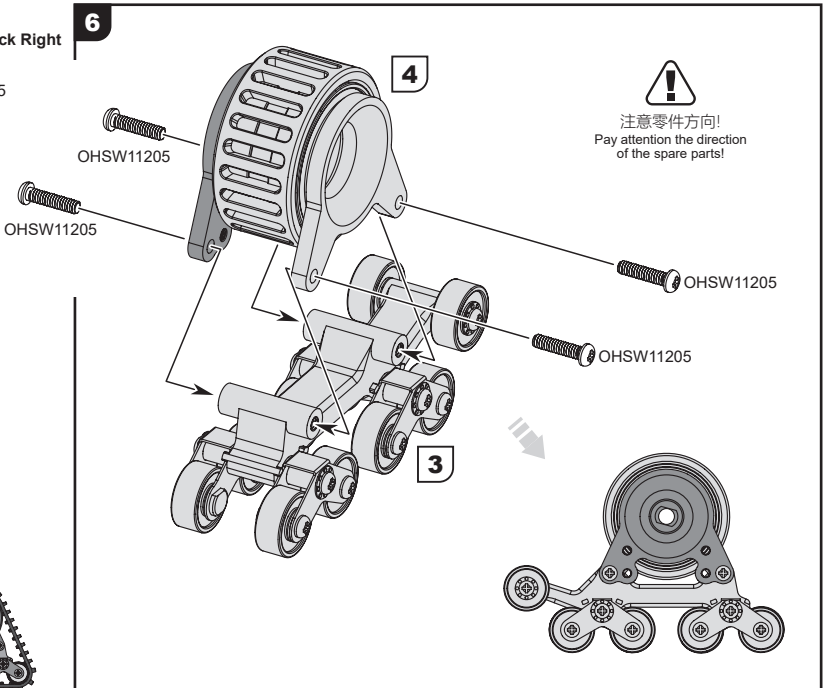


右侧履带

Continuous track Right



4X OHSW11205



MCT-300



左侧限位器

Limiter Stopper Left

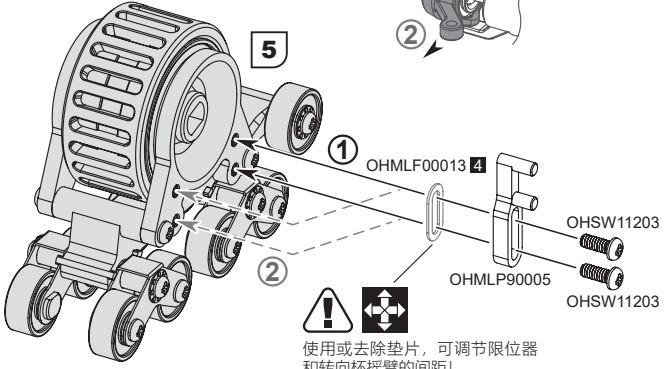


2X OHSW11203

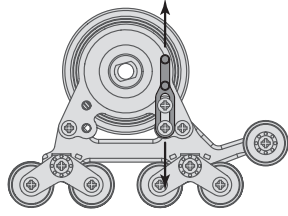
7

请根据转向杯摇臂方向选择安装限位器的位置!
 Determine the installation position of the limiter according to the direction of the arm!



使用或去除垫片，可调节限位器和转向杯摇臂的间距!
 Change the distance between limiter and arm with the shim!



上下调节限位器，可调整履带和车桥间的限位角度!
 The limiting angle between the continuous track and the axle can be changed by adjust the installation height of the limiter!

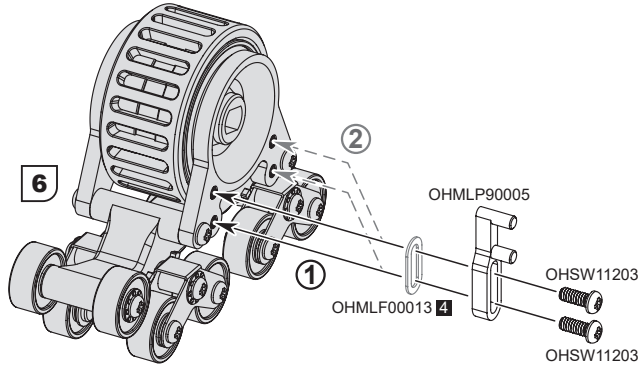
右侧限位器

Limiter Stopper Right



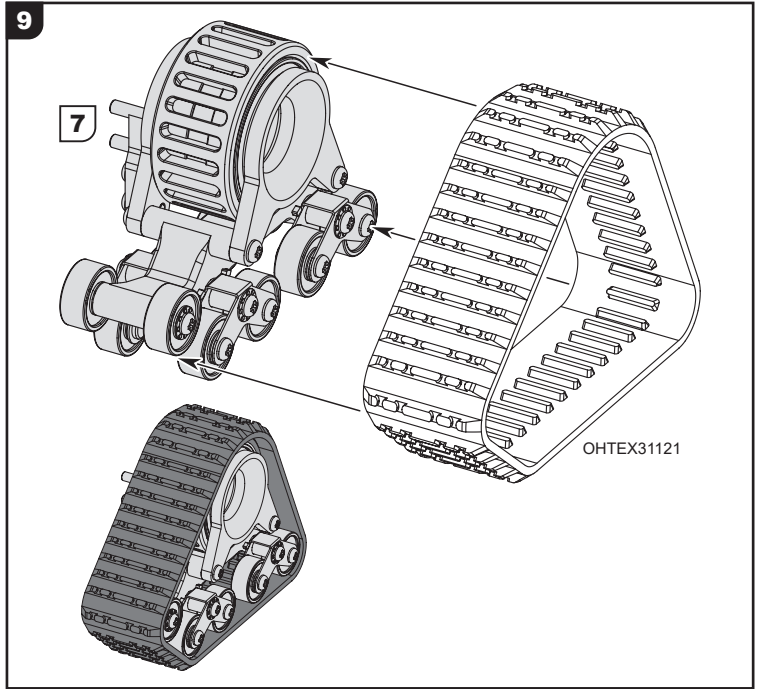
2X OHSW11203

8



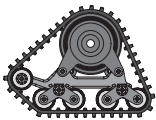
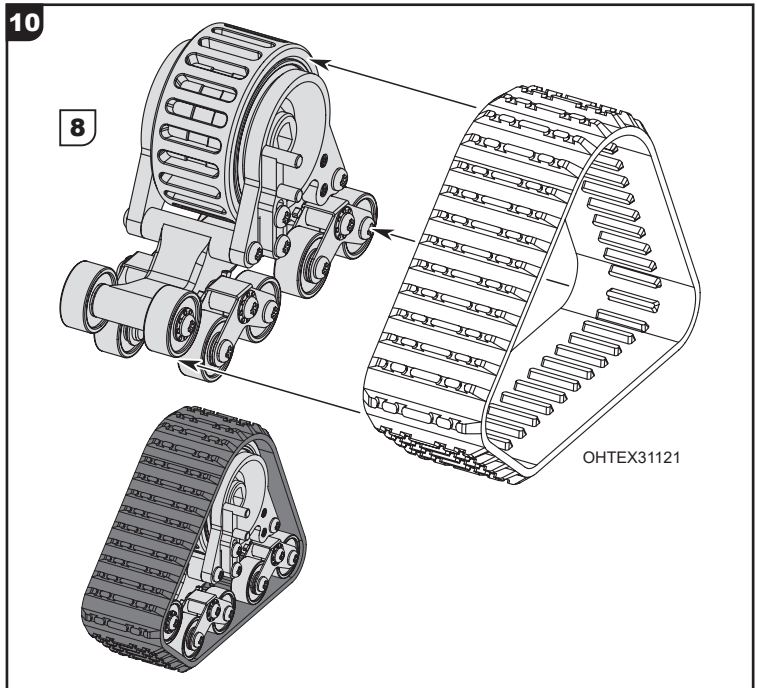
左侧履带

Continuous track Left



右侧履带

Continuous track Right

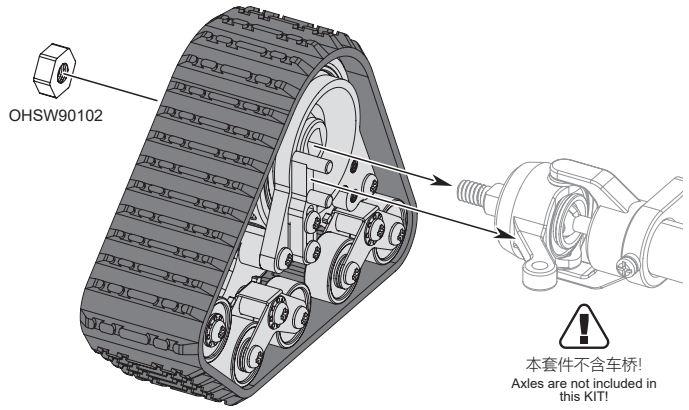


MCT-300

前桥安装

Install to front axle

11



塑料后桥安装

Install to metal rear axle

12



如使用塑料后桥, 还需搭配MCT-V01塑料后桥履带限位环!
 本套件不含车桥及塑料后桥履带限位环!
 MCT-V01 limiter ring set is required for
 installation on plastic rear axle. Axle and
 plastic rear axle limiter rings are not included
 in this KIT!

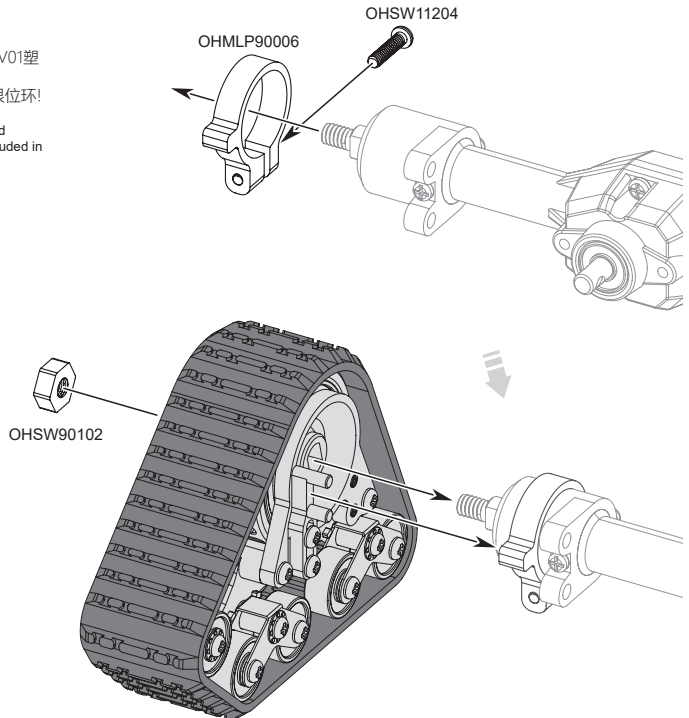
MCT-V01



2X OHMLP90006



2X OHSW11204



金属后桥安装

Install to metal rear axle

13



如使用金属后桥，还需搭配MCT-V02金属后桥履带限位环！

本套件不含车桥及金属后桥履带限位环！

MCT-V02 limiter ring set is required for installation on plastic rear axle. Axle and metal rear axle limiter rings are not included in this KIT!

MCT-V02



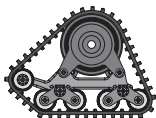
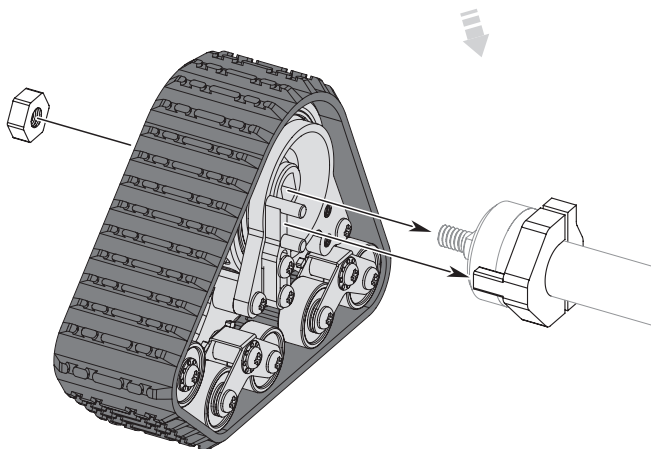
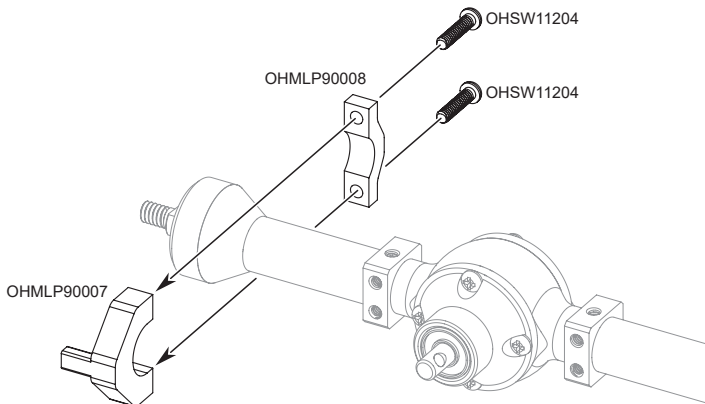
2X OHMLP90007



2X OHMLP90008



4X OHSW11204



MCT-300